

Parts Manual

SA250

Drop Spreader



Revised 09/19/22
09.20054 Rev. 01



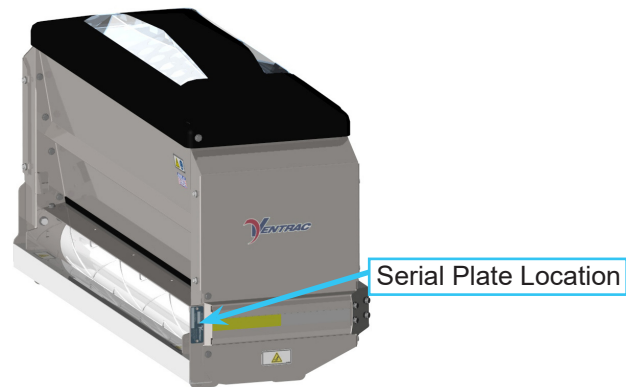
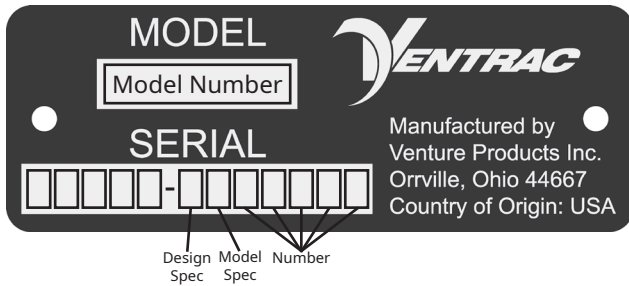
500 Venture Drive
Orrville Oh 44667
www.ventrac.com

View all manuals



Visit ventrac.com/manuals for the latest version of this parts manual. A downloadable operator's manual is also available.

Serial Number Description



Notes

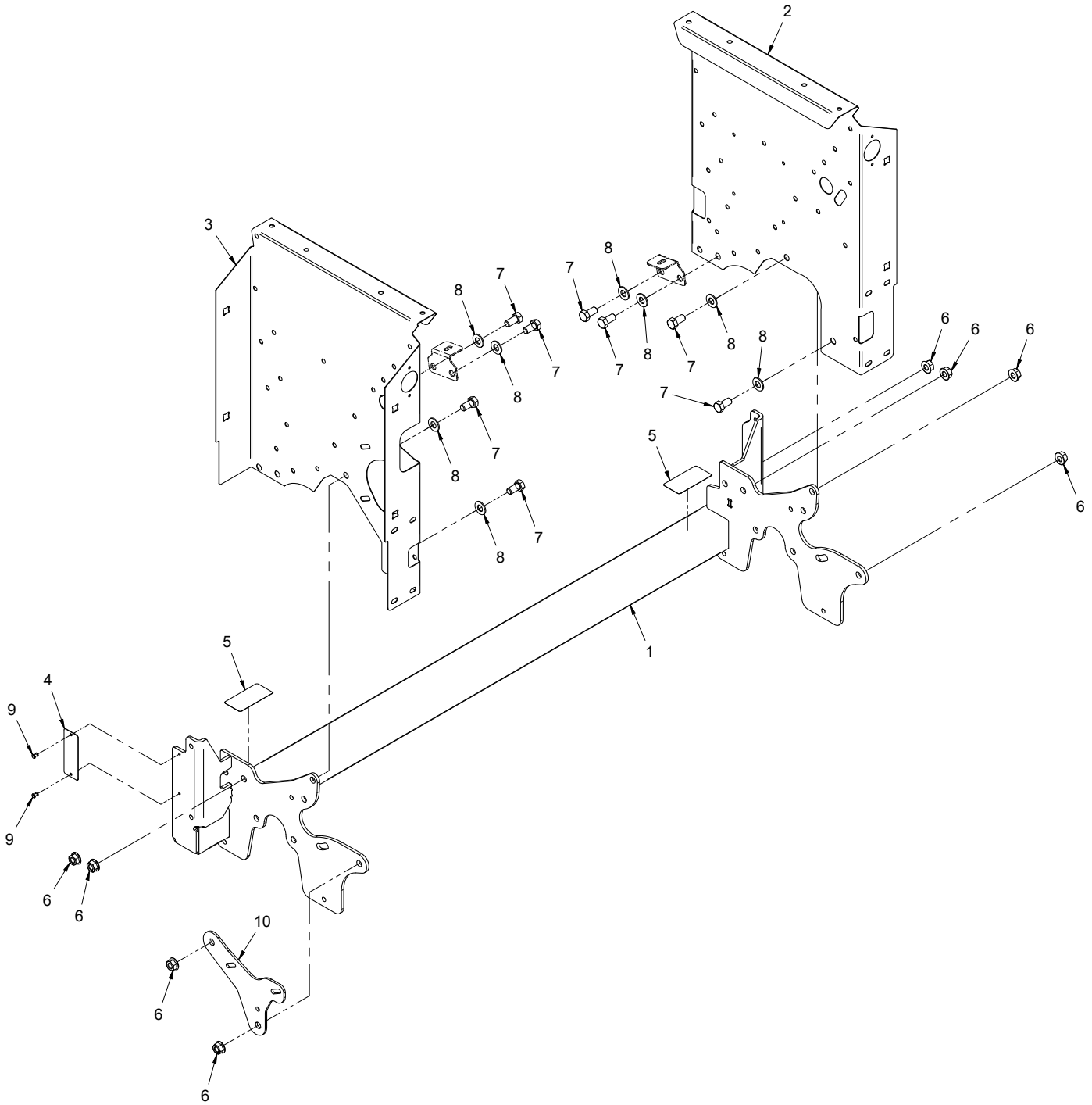
- If any component requires replacement, use only original Ventrac replacement parts.
- When ordering new components, be sure to order all required safety decals. All current safety decals must be affixed to the replacement components prior to installation of the component.

TABLE OF CONTENTS

PARTS	PAGE 4
Main Frame	4
Rear & Side Bumpers	6
Hopper Panels	8
Spreader Hanger, Hopper Screen, & Top Cover	10
Gate Panel & Guides	12
Gate Control Rocker	14
Motor & Rotor	16
Front Bin Seal & Rear Roller Seal	18
End Panel Stiffeners, Covers, & Clamps	20
Controller & Lights	22
70.8149 Hopper Extension Kit	24
70.8150 High Speed Sprocket Kit	26
70.8186 Slow Speed Sprocket Kit	28
70.8140 SA250 Install For 4200/4500	30
70.8141 SA250 Install For 3400	32
70.8151 SA250 Install For 3100/3200	34
70.8142 SA250 Install Universal 2" Receiver	36
70.8143 SA250 Install 3 Point Hitch	38

PARTS

ILLUSTRATED DRAWING Main Frame



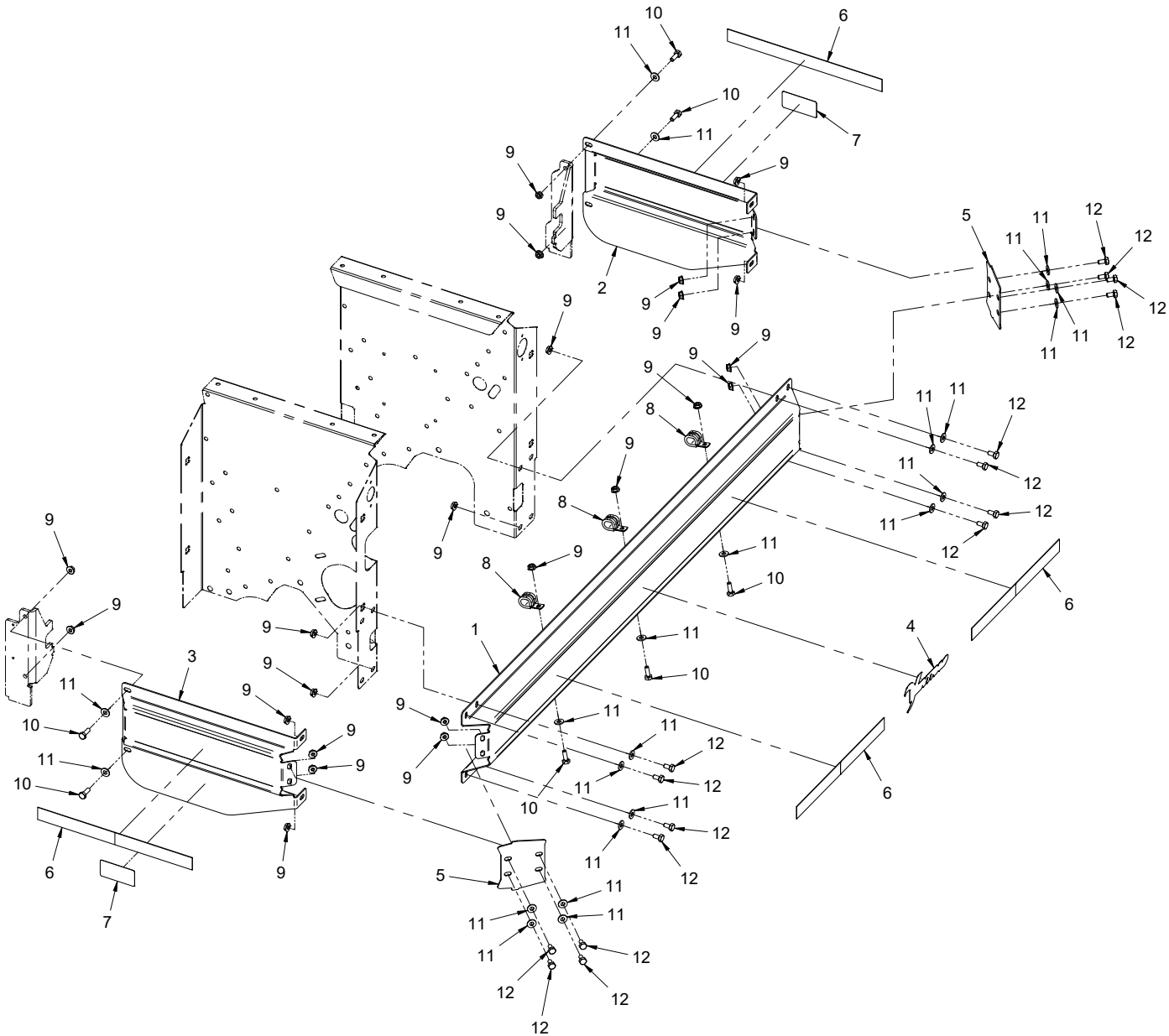
PARTS

Main Frame

REF.	PART NO.	DESCRIPTION	QTY.
1	62.1416	.FRAME, MAIN SA SPREADER	1
2	60.1232	.PANEL, BIN RIGHT	1
3	60.1231	.PANEL, BIN LEFT	1
4	N/A	.PLATE, VENTRAC SERIAL NUMBER	1
5	00.0365	.DECAL, WARNING MOVING PARTS (Serial # 01001-03797)	2
5	00.0631	.DECAL, FINGER/HAND ENTANGLEMENT (Serial # 03798-)	2
6	99.SF06-3	.NUT, SRF 3/8-16 USS STAINLESS	8
7	90.0606-3	.BOLT, 3/8-16 USS X 3/4SS	8
8	95.06-3	.WASHER, FLAT 3/8 SAE SS	8
9	04.0029	.RIVET, POP 1/8" X 1/4"	2
10	64.1943	.PLATE, MOTOR END SUPPORT (Serial # 01812-)	1

PARTS

ILLUSTRATED DRAWING Rear & Side Bumpers



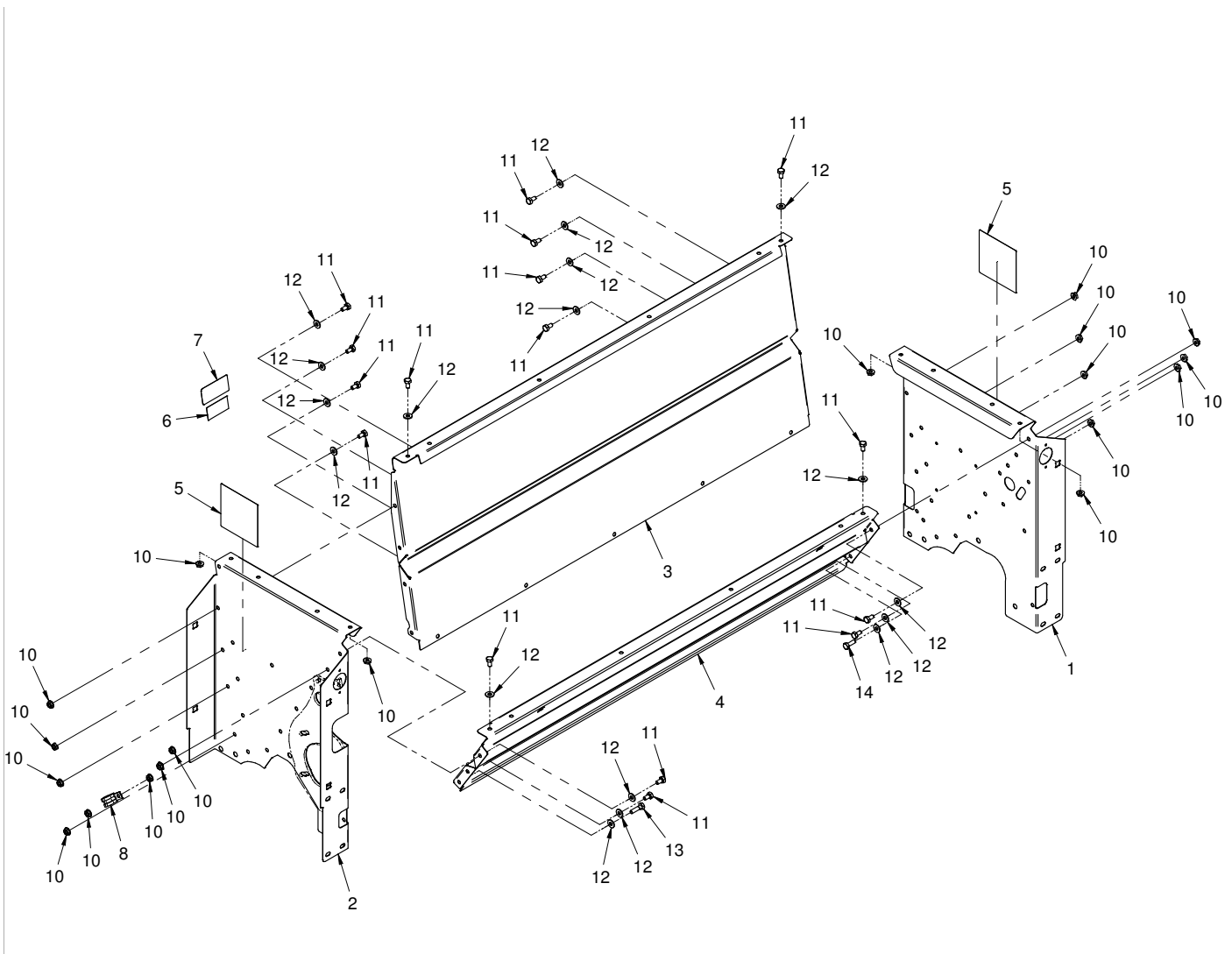
PARTS

Rear & Side Bumpers

REF.	PART NO.	DESCRIPTION	QTY.
1	62.1417	.BUMPER, REAR	1
2	62.1418	.BUMPER, RIGHT	1
3	62.1419	.BUMPER, LEFT	1
4	00.0382	.DECAL, VENTRAC	1
5	64.1843	.PLATE, BUMPER CORNER	2
6	56.0063-12IN	.TAPE, CONSPICUITY (REFLECTIVE) X 12"	4
7	00.0365	.DECAL, WARNING MOVING PARTS (Serial # 01001-03797)	2
7	00.0631	.DECAL, FINGER/HAND ENTANGLEMENT (Serial # 03798-)	2
8	11.0076	.CLAMP, CUSHIONED 1/2" SS	3
9	99.SF04-3	.NUT, SRF 1/4-20 USS STAINLESS	23
10	90.0406-3	.BOLT, 1/4-20 USS X 3/4 SS	7
11	95.04-3	.WASHER, FLAT 1/4 SAE SS	23
12	90.0404-3	.BOLT, 1/4-20 USS X 1/2 SS	16

PARTS

ILLUSTRATED DRAWING Hopper Panels



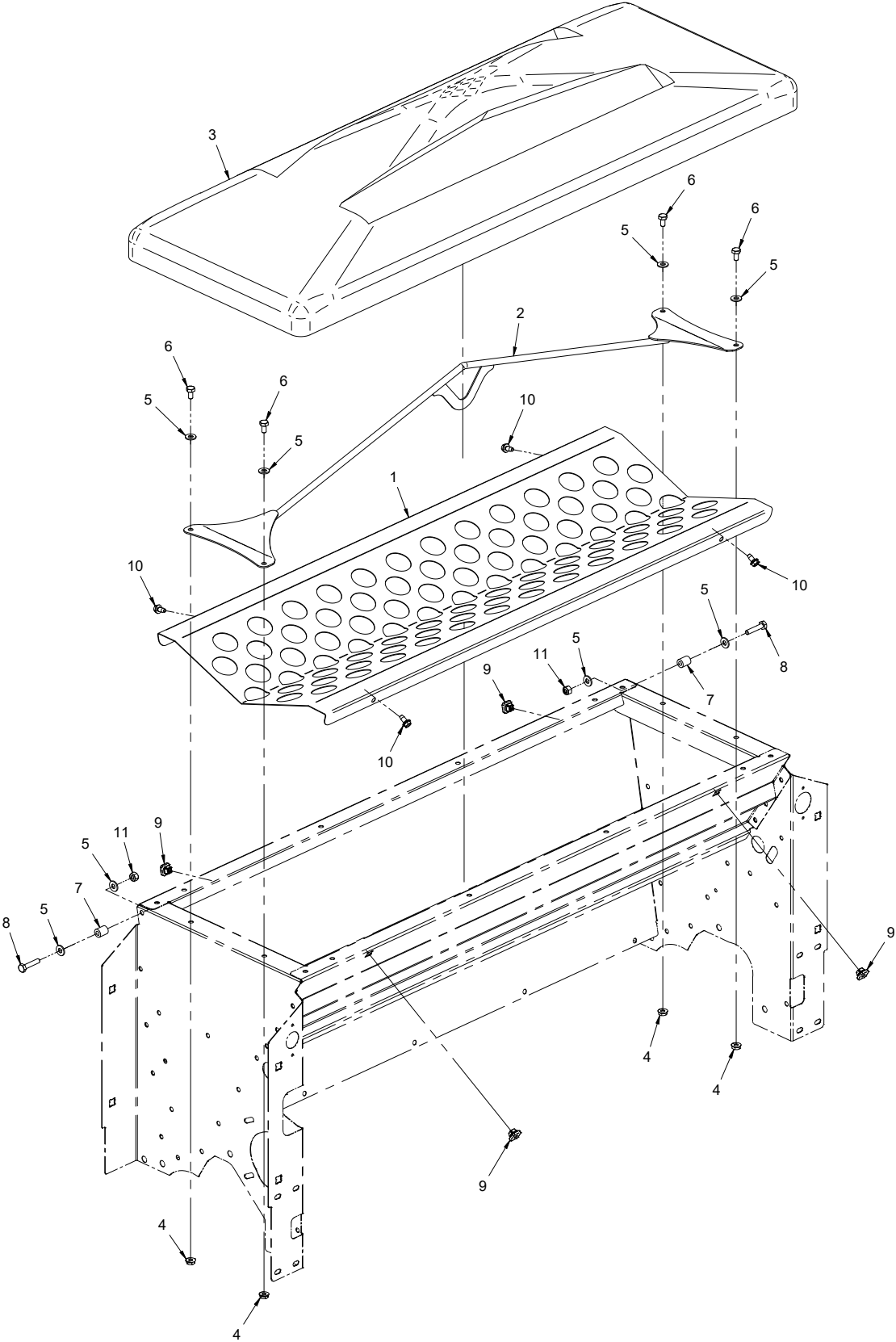
PARTS

Hopper Panels

REF.	PART NO.	DESCRIPTION	QTY.
1	60.1232	.PANEL, BIN RIGHT	1
2	60.1231	.PANEL, BIN LEFT	1
3	60.1229	.PANEL, BIN FRONT	1
4	60.1230	.PANEL, BIN REAR	1
5	00.0062	.DECAL, DANGER SHIELD MISSING (Serial # 01001-03797)	2
5	00.0625	.DECAL, SHIELD MISSING (Serial # 03798-)	2
6	00.0100	.DECAL, MADE IN USA	1
7	00.0363	.DECAL, WARNING READ OWNERS MAN (Serial # 01001-03797)	1
7	00.0619	.DECAL, READ OPERATOR'S MANUAL (Serial # 03798-)	2
8	11.0076	.CLAMP, CUSHIONED 1/2" SS	1
10	99.SF04-3	.NUT, SRF 1/4-20 USS STAINLESS	19
11	90.0404-3	.BOLT, 1/4-20 USS X 1/2 SS	16
12	95.04-3	.WASHER, FLAT 1/4 SAE SS	18
13	90.0408-3	.BOLT, 1/4-20 USS X 1 SS	1
14	90.0406-3	.BOLT, 1/4-20 USS X 3/4 SS	1

PARTS

ILLUSTRATED DRAWING Spreader Hanger, Hopper Screen, & Top Cover



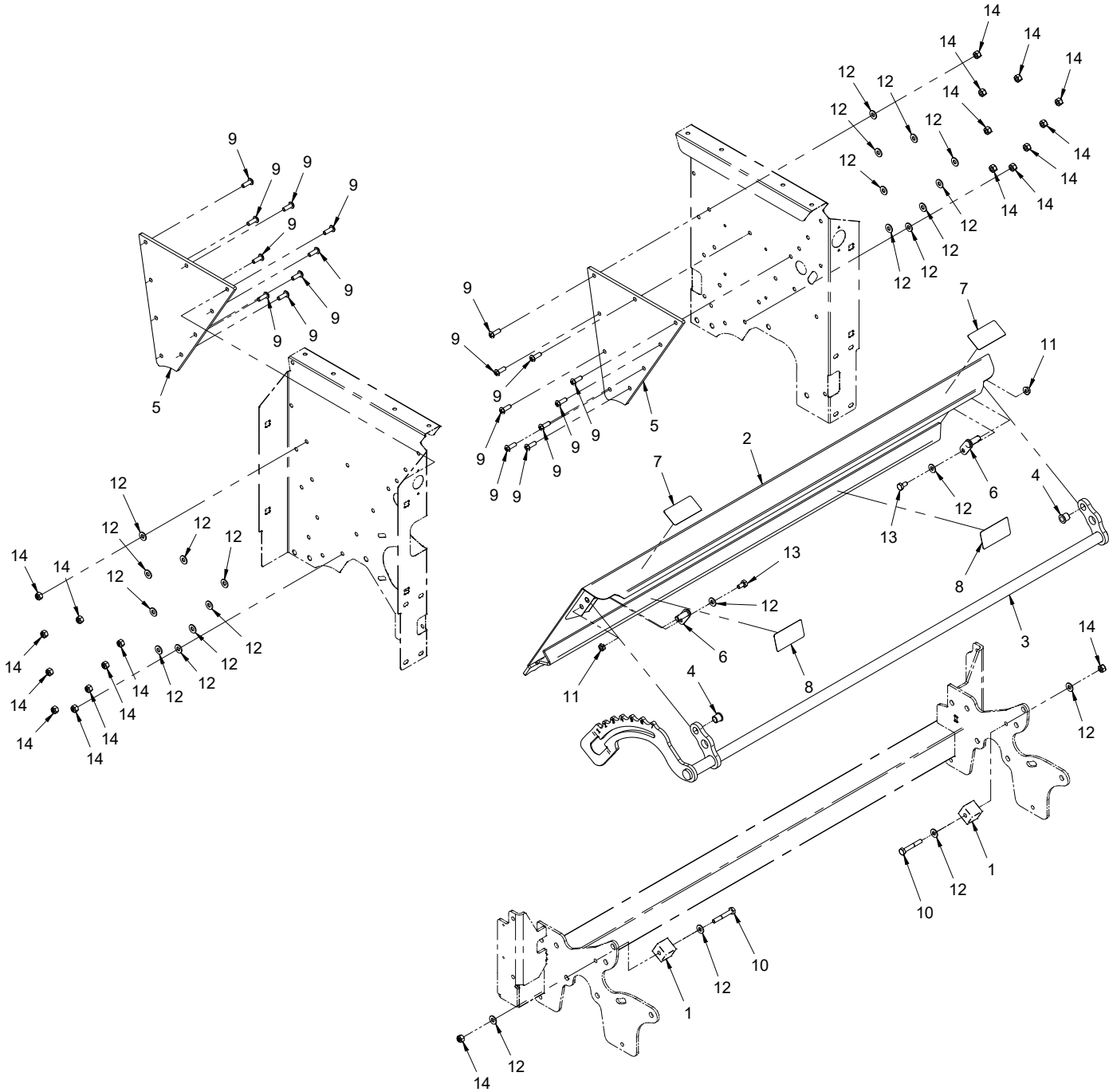
PARTS

Spreader Hanger, Hopper Screen, & Top Cover

REF.	PART NO.	DESCRIPTION	QTY.
1	64.1836	.SCREEN, DEBRIS - TOP	1
2	64.1842	.HANGER, SPREADER BAR	1
3	44.0338	.COVER, SA SPREADER- TOP	1
4	99.SF04-3	.NUT, SF 1/4-20 USS STAINLESS	4
5	95.04-3	.WASHER, FLAT 1/4 SAE SS	8
6	90.0404-3	.BOLT, 1/4-20 USS X 1/2 SS	4
7	05.0142	.SPACER, 1/4 ID X 1/2 OD X 5/8L	2
8	90.0410-3	.BOLT, 1/4-20 USS X 1-1/4 SS	2
9	99.E0116	.NUT, GROMMET 1/4"	4
10	99.K0136	.BOLT, 1/4-20 X 1/2 THD FORM SS	4
11	99.A04N-3	.LOCKNUT, NYLON 1/4-20 USS SS	2

PARTS

ILLUSTRATED DRAWING Gate Panel & Guides



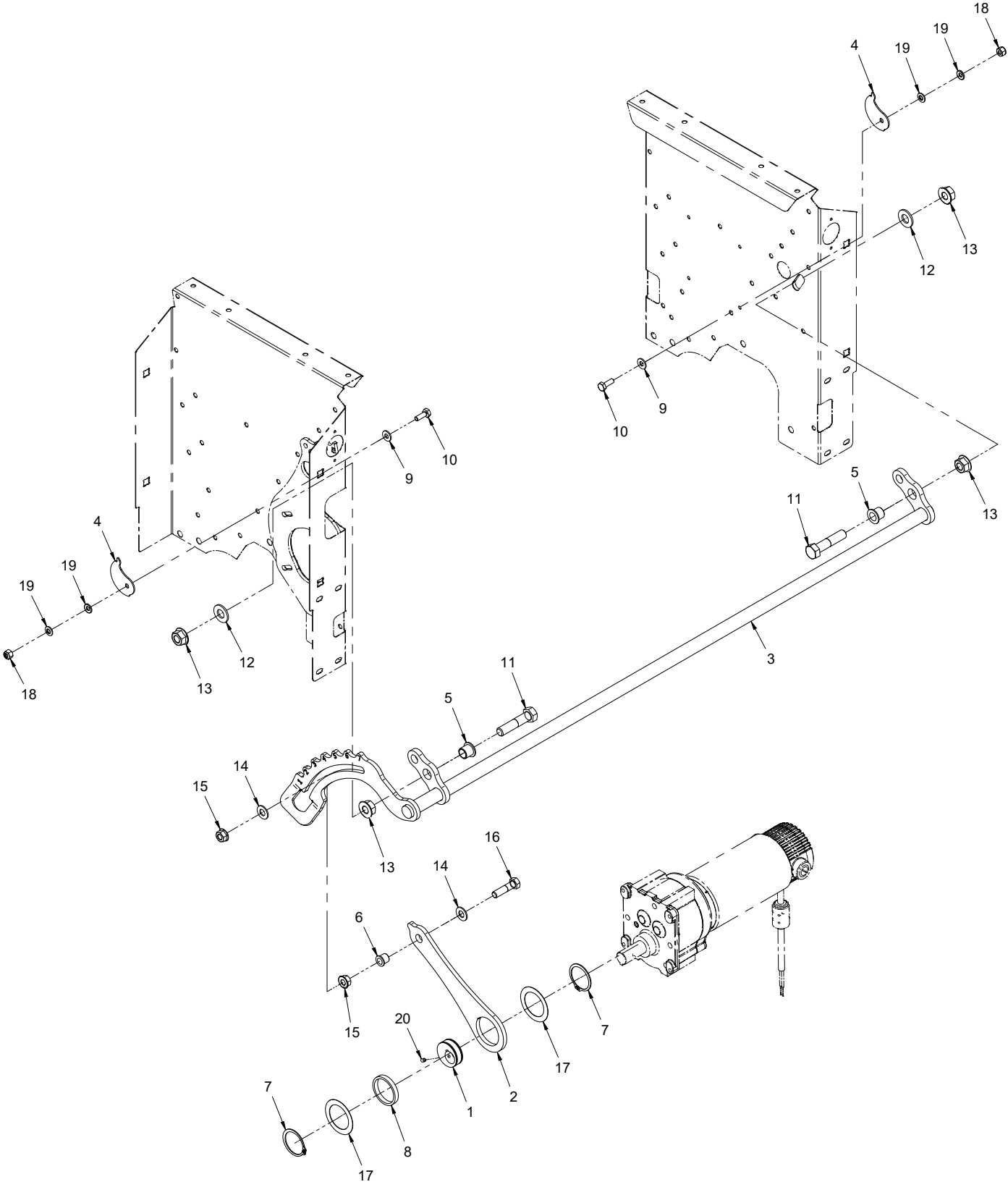
PARTS

Gate Panel & Guides

REF.	PART NO.	DESCRIPTION	QTY.
1	42.0573	.GUIDE, GATE BOTTOM	2
2	60.1237	.PANEL, GATE SA SPREADER	1
3	64.1841	.ROCKER, GATE CONTROL	1
4	85.B0068	.BUSHING, 3/8 X 1/2 OD X 1/2 LG	2
5	44.0337	.PANEL, GATE GUIDE END	2
6	64.1845	.PIN, GATE CONTROL ROCKER	2
7	00.0364	.DECAL, WARNING PINCH POINT	2
8	00.0365	.DECAL, WARNING MOVING PARTS (Serial # 01001-03797)	2
8	00.0631	.DECAL, FINGER/HAND ENTANGLEMENT (Serial # 03798-)	2
9	99.0406-3	.BOLT, 1/4-20 X 3/4 BSCS SS	18
10	90.0414-3	.BOLT, 1/4-20 USS X 1-3/4" SS	2
11	99.SF04-3	.NUT, SF 1/4-20 USS STAINLESS	2
12	95.04-3	.WASHER, FLAT 1/4 SAE SS	24
13	90.0404-3	.BOLT, 1/4-20 USS X 1/2 SS	2
14	99.A04N-3	.LOCKNUT, NYLON 1/4-20 USS SS	20

PARTS

ILLUSTRATED DRAWING Gate Control Rocker



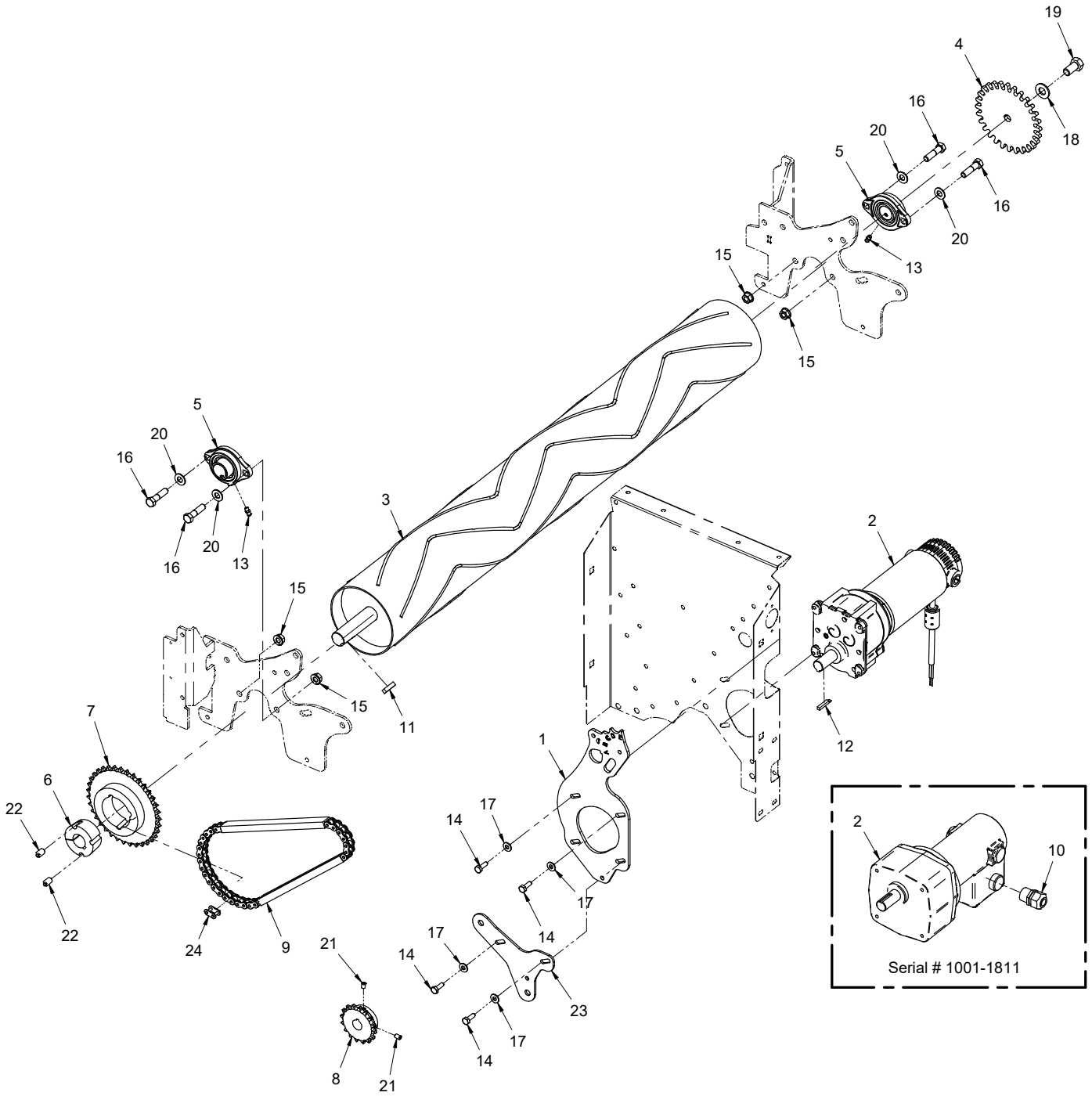
PARTS

Gate Control Rocker

REF.	PART NO.	DESCRIPTION	QTY.
1	42.0568	CAM, DRIVE	1
2	42.0571	LINK, SA SPREADER GATE	1
3	64.1841	ROCKER, GATE CONTROL	1
4	64.1840	PLATE, GATE INDICATOR	2
5	85.B0027	BUSHING, 1/2 ID X 5/8 OD X 5/8	2
6	85.B0068	BUSHING, 3/8 X 1/2 OD X 1/2 LG	1
7	04.0034	SNAP RING, EXT 1.387 X .05 THK	2
8	85.B0092	BUSHING, BRONZE SLEEVE	1
9	95.04-3	WASHER, FLAT 1/4 SAE SS	2
10	90.0406-3	BOLT, 1/4-20 USS X 3/4 SS	2
11	90.0818-3	BOLT, 1/2-13 USS X 2-1/4 SS	2
12	95.08-3	WASHER, FLAT 1/2 SAE SS	2
13	99.SF08-3	NUT, SRF 1/2-13 USS STAINLESS	4
14	95.06-3	WASHER, FLAT 3/8 SAE SS	2
15	99.SF06-3	NUT, SRF 3/8-16 USS STAINLESS	2
16	90.0612-3	BOLT, 3/8-16 USS X 1-1/2 SS	1
17	99.B0112	SHIM, 1.5ID X 2.13 OD .020T SS	2
18	99.A04N-3	LOCKNUT, NYLON 1/4-20 USS SS	2
19	99.M0036	WASHER, M6 SPRING LOCK 316 SS	4
20	85.SS26	SET SCREW, 10-32 X 1/4 SS	1

PARTS

ILLUSTRATED DRAWING Motor & Rotor



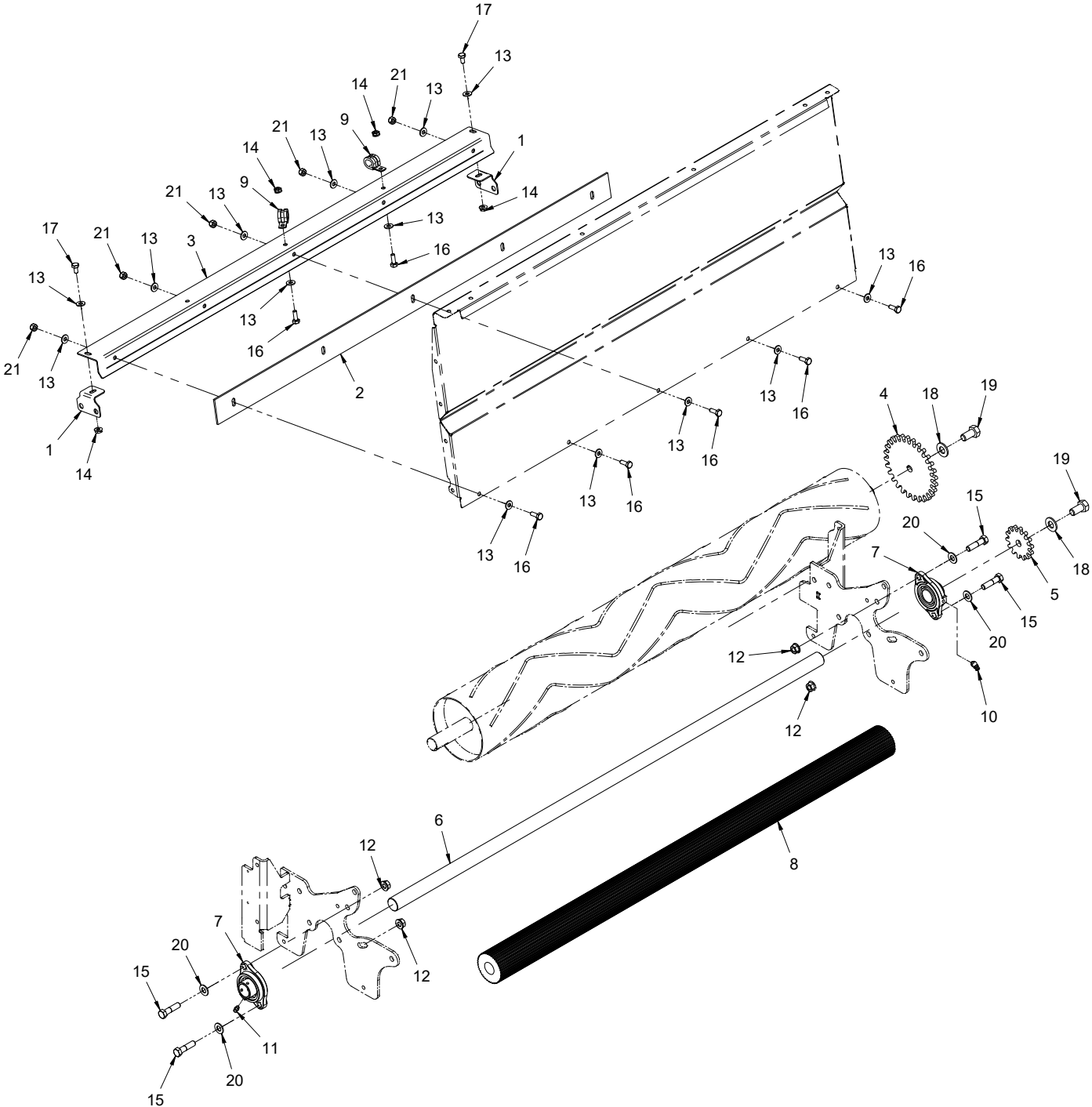
PARTS

Motor & Rotor

REF.	PART NO.	DESCRIPTION	QTY.
1	64.1839	.STIFFENER, END PANEL LEFT	1
2	37.0062	.MOTOR, ELECTRIC GEAR 1/8HP (Serial # 01001-01811)	1
2	37.0064	.MOTOR, ELEC GEAR 1/6 HP 12 RPM (Serial # 01812-)	1
3	80.0381	.ROTOR, SA SPREADER	1
4	87.0237	.GEAR, SA SPREADER ROTOR	1
5	55.FB16016-3	.BEARING, FLANGE BLOCK 1" ZP	2
6	83.161016	.BUSHING, 1610 X 1" TAPERD LOCK	1
7	83.40TB35	.SPROCKET, #40 35-T TAPER BORE	1
8	83.H4016	.SPROCKET, #40 16-T 3/4" BORE	1
9	81.0155	.CHAIN, ROLLER #40 X 28-1/2"	1
10	47.0364	.FITTING, CORD GRIP 1/2 NPT (Serial # 01001-01811)	1
11	85.K0408-3	.KEY, 1/4 X 1 316SS	1
12	85.K0001	.KEY, SA250 MOTOR	1
13	29.GF0001	.GREASE FTG, 1/4 SAE ST (Serial # 01001-03635)	2
14	91.0406-3	.BOLT, 1/4-28 SAE X 3/4 SS	4
15	99.SF06-3	.NUT, SRF 3/8-16 USS STAINLESS	4
16	90.0612-3	.BOLT, 3/8-16 USS X 1-1/2 SS	4
17	95.04-3	.WASHER, FLAT 1/4 SAE SS	4
18	95.08-3	.WASHER, FLAT 1/2 SAE SS	1
19	90.0808-3	.BOLT, 1/2-13 USS X 1 SS	1
20	95.06-3	.WASHER, FLAT 3/8 SAE SS	4
21	85.SS24	.SET SCREW, 1/4-20 X 3/8 SS	2
22	85.SS27	.SET SCREW, 3/8-16 X 5/8 SS	2
23	64.1943	.PLATE, MOTOR END SUPPORT (Serial # 01812-)	1
24	81.0056-1	.LINK, CONN #40 SS	1

PARTS

ILLUSTRATED DRAWING Front Bin Seal & Rear Roller Seal



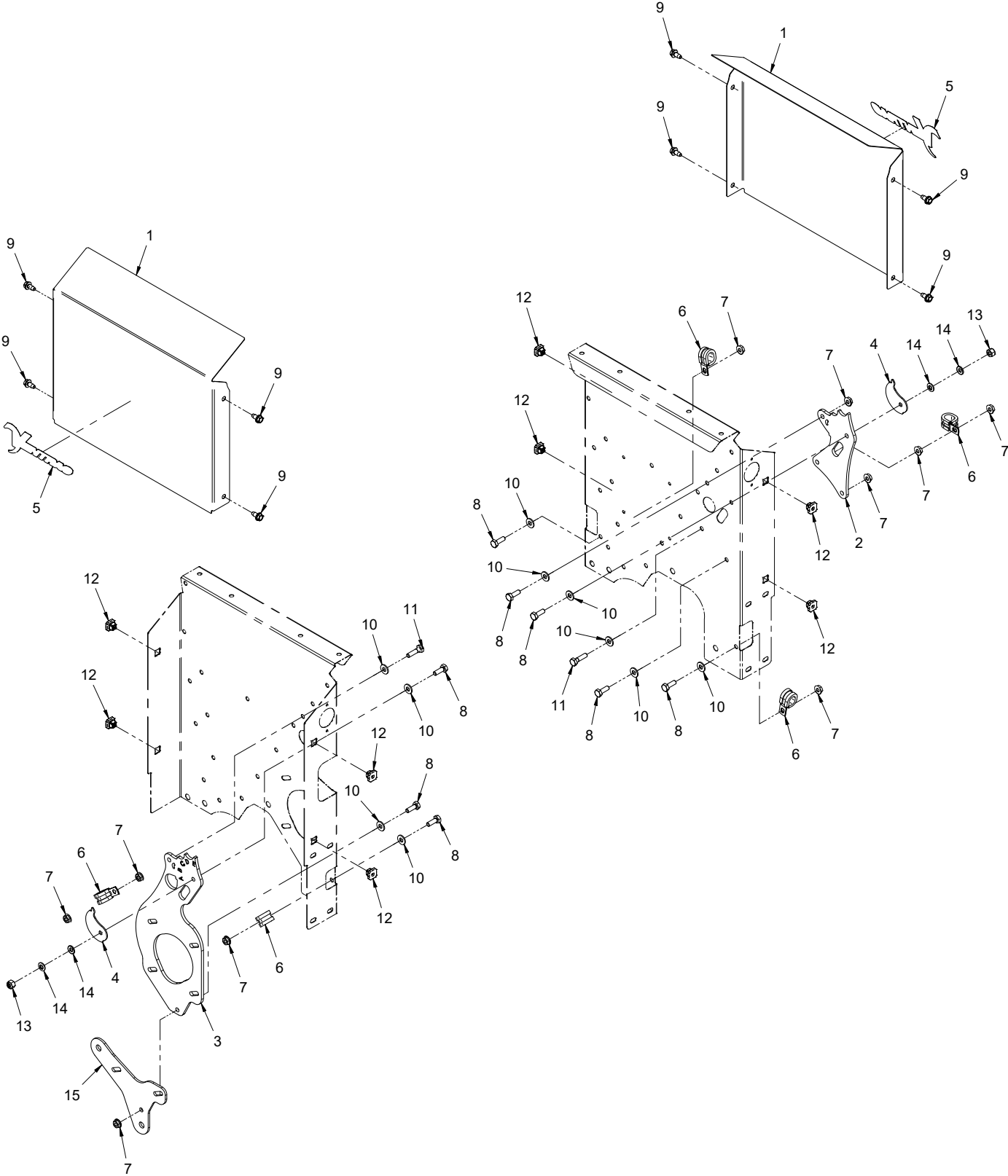
PARTS

Front Bin Seal & Rear Roller Seal

REF.	PART NO.	DESCRIPTION	QTY.
1	64.1837	.BRACKET, BELTING CLAMP MOUNT	2
2	44.0335	.SEAL, BIN FRONT BELTING	1
3	64.1820	.CLAMP, BIN FRONT BELTING SEAL	1
4	87.0237	.GEAR, SA SPREADER ROTOR	1
5	87.0238	.GEAR, SA SPREADER SEAL	1
6	80.0382	.SHAFT, TUBE SEAL	1
7	55.FB16016-3	.BEARING, FLANGE BLOCK 1" ZP	2
8	44.0336	.SEAL, BIN REAR TUBE	1
9	11.0076	.CLAMP, CUSHIONED 1/2" SS	2
10	29.GF0003	.GREASE FTG, 1/4 SAE 45 (Serial # 01001-03635)	1
11	29.GF0001	.GREASE FTG, 1/4 SAE ST (Serial # 01001-03635)	1
12	99.SF06-3	.NUT, SRF 3/8-16 USS STAINLESS	4
13	95.04-3	.WASHER, FLAT 1/4 SAE SS	14
15	90.0612-3	.BOLT, 3/8-16 USS X 1-1/2 SS	4
16	90.0406-3	.BOLT, 1/4-20 USS X 3/4 SS	7
14	99.SF04-3	.NUT, SF 1/4-20 USS STAINLESS	4
17	90.0404-3	.BOLT, 1/4-20 USS X 1/2 SS	2
18	95.08-3	.WASHER, FLAT 1/2 SAE SS	2
19	90.0808-3	.BOLT, 1/2-13 USS X 1 SS	2
20	95.06-3	.WASHER, FLAT 3/8 SAE SS	4
21	99.A04N-3	.LOCKNUT, NYLON 1/4-20 USS SS	5

PARTS

ILLUSTRATED DRAWING End Panel Stiffeners, Covers, & Clamps



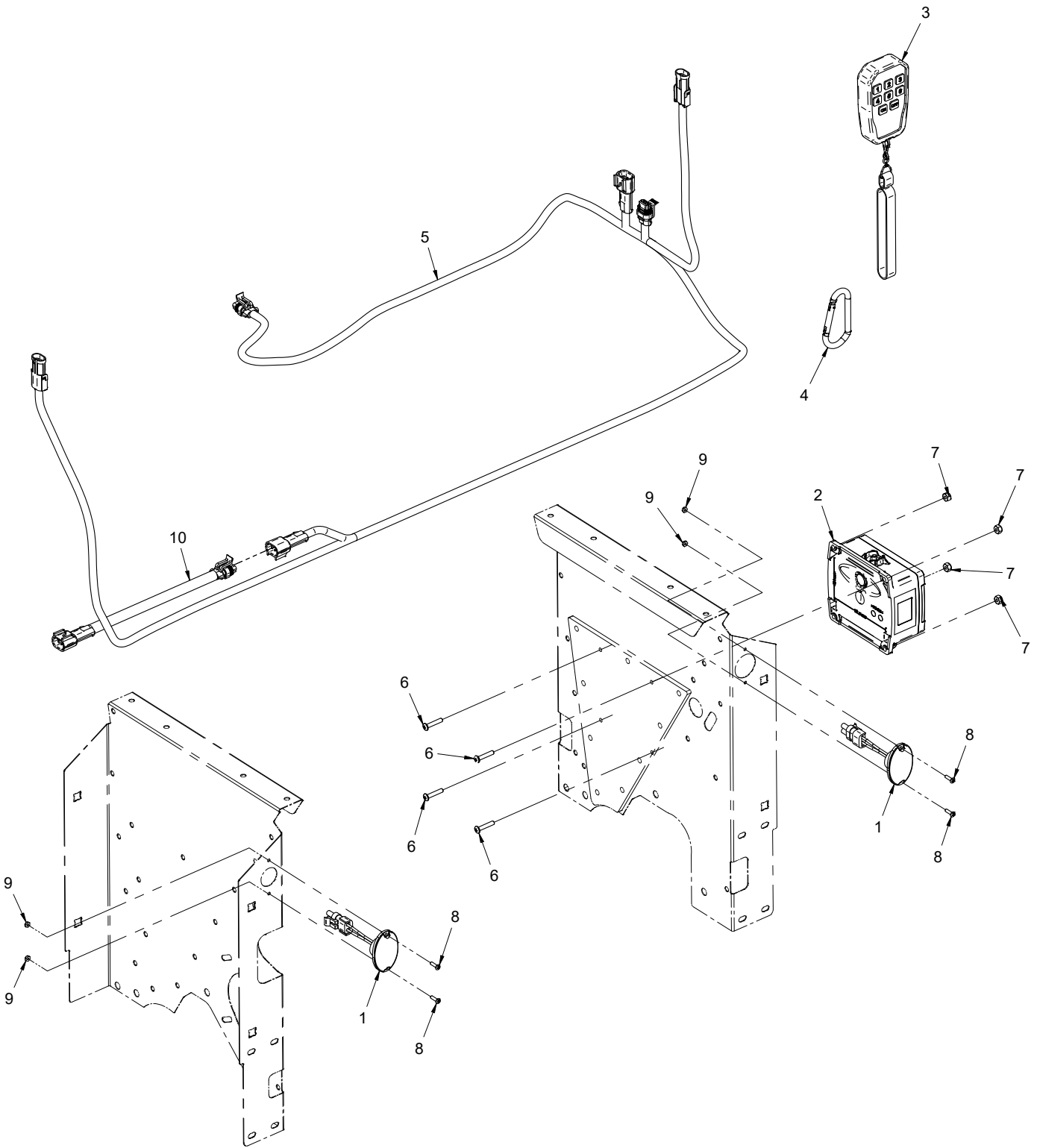
PARTS

End Panel Stiffeners, Covers, & Clamps

REF.	PART NO.	DESCRIPTION	QTY.
1	60.1238	.COVER, SA SPREADER END.	2
2	64.1838	.STIFFENER, END PANEL RIGHT.	1
3	64.1839	.STIFFENER, END PANEL LEFT	1
4	64.1840	.PLATE, GATE INDICATOR	2
5	00.0382	.DECAL, VENTRAC.	2
6	11.0076	.CLAMP, CUSHIONED 1/2" SS.	5
7	99.SF04-3	.NUT, SRF 1/4-20 USS STAINLESS.	10
8	90.0406-3	.BOLT, 1/4-20 USS X 3/4 SS	8
9	99.K0136	.BOLT, 1/4-20 X 1/2 THD FORM SS	8
10	95.04-3	.WASHER, FLAT 1/4 SAE SS	10
11	90.0408-3	.BOLT, 1/4-20 USS X 1 SS.	2
12	99.E0116	.NUT, GROMMET 1/4"	8
13	99.A04N-3	.LOCKNUT, NYLON 1/4-20 USS SS.	2
14	99.M0036	.WASHER, M6 SPRING LOCK 316 SS	4
15	64.1943	.PLATE, MOTOR END SUPPORT (Serial # 01812-)	1

PARTS

ILLUSTRATED DRAWING Controller & Lights



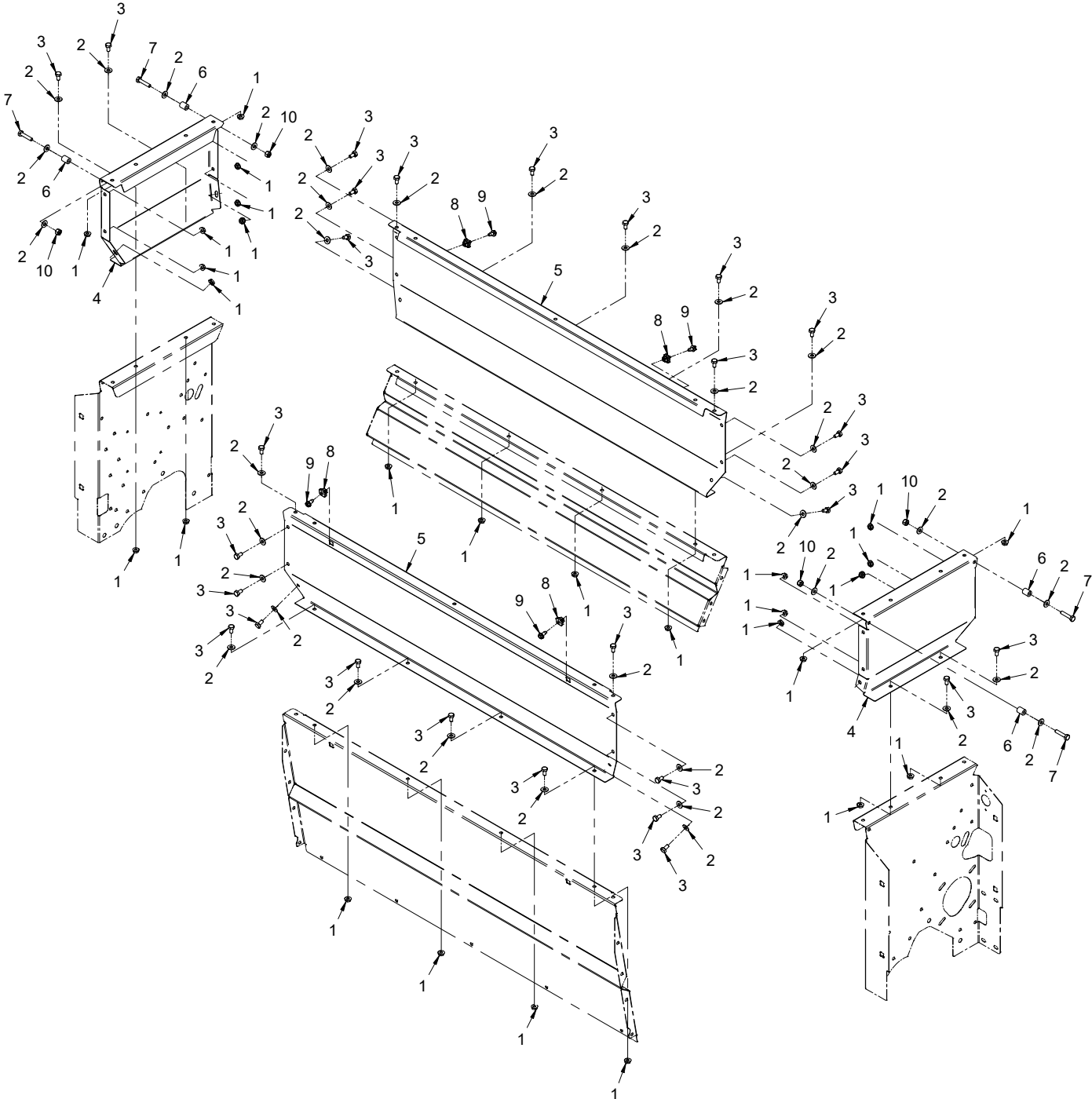
PARTS

Controller & Lights

REF.	PART NO.	DESCRIPTION	QTY.
1	33.0061	LIGHT, MARKER RED OVAL	2
2	35.0141	RECEIVER, WIRELESS	1
3	35.0142	TRANSMITTER, WIRELESS	1
4	47.0365	CARABINER, 1/4" 316SS	1
5	32.0145	HARNESS, WIRE SA MAIN	1
6	99.K0139	MACHINE SCREW, #10-32 X 1 SS	4
7	99.A1032N	LOCKNUT, NYLON 10-32 STAINLESS	4
8	99.K0138	MACHINE SCREW, #6-32 X 1/2 SS	4
9	99.E0118	LOCKNUT, NYLON #6-32 SS	4
10	32.0164	HARNESS, MOTOR DIODE	1

PARTS

ILLUSTRATED DRAWING 70.8149 Hopper Extension Kit



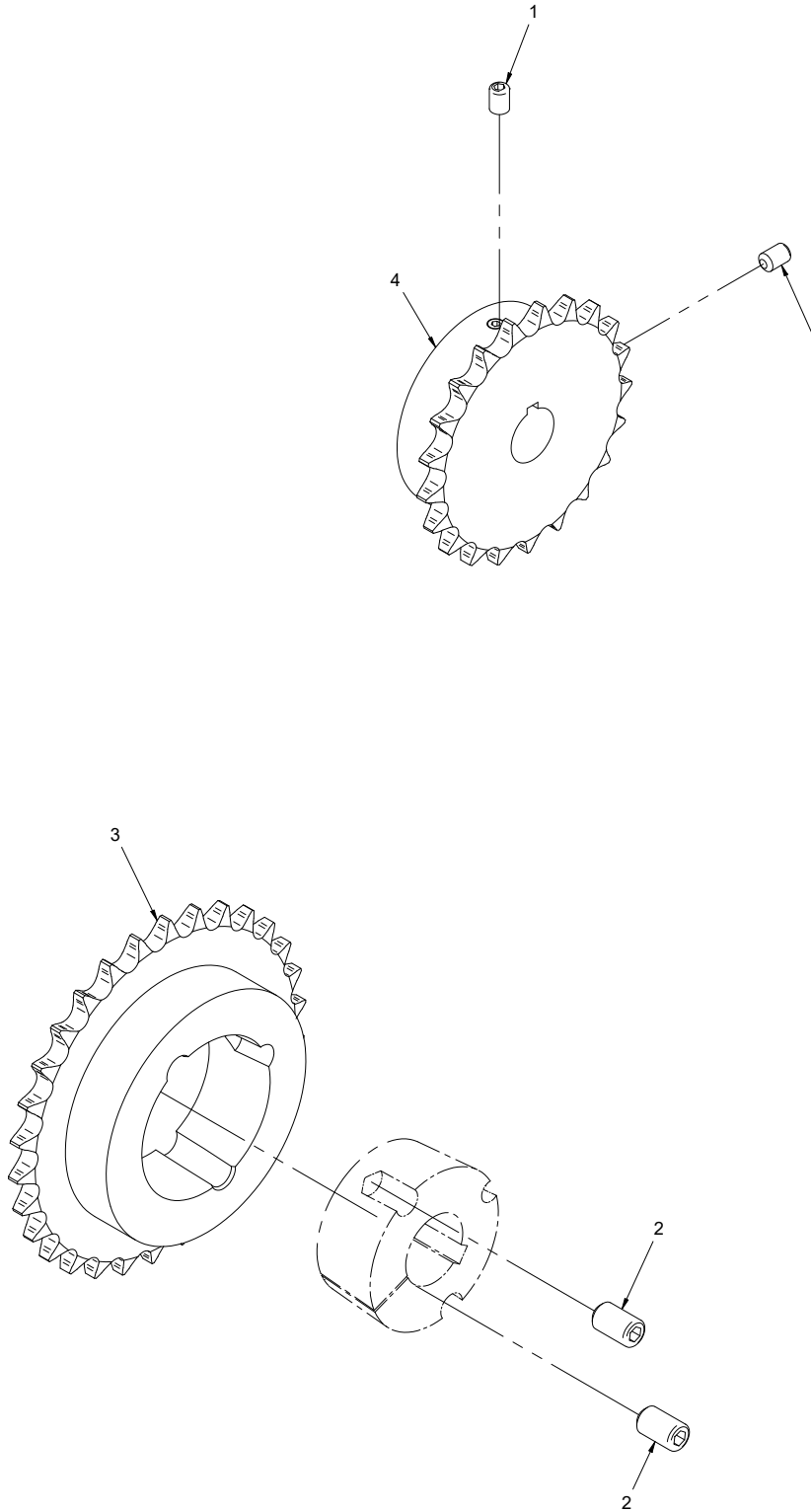
PARTS

70.8149 Hopper Extension Kit

REF.	PART NO.	DESCRIPTION	QTY.
1	99.SF04-3	.NUT, SF 1/4-20 USS STAINLESS	28
2	95.04-3	.WASHER, FLAT 1/4 SAE SS	36
3	90.0404-3	.BOLT, 1/4-20 USS X 1/2 SS	28
4	60.1234	.PANEL, BIN EXT LEFT/RIGHT	2
5	60.1233	.PANEL, BIN EXTENSION FRNT/REAR	2
6	05.0142	.SPACER, 1/4 ID X 1/2 OD X 5/8L	4
7	90.0410-3	.BOLT, 1/4-20 USS X 1-1/4 SS	4
8	99.E0116	.NUT, GROMMET 1/4"	4
9	99.K0136	.BOLT, 1/4-20 X 1/2 THD FORM SS	4
10	99.A04N-3	.LOCKNUT, NYLON 1/4-20 USS SS	4

PARTS

ILLUSTRATED DRAWING 70.8150 High Speed Sprocket Kit



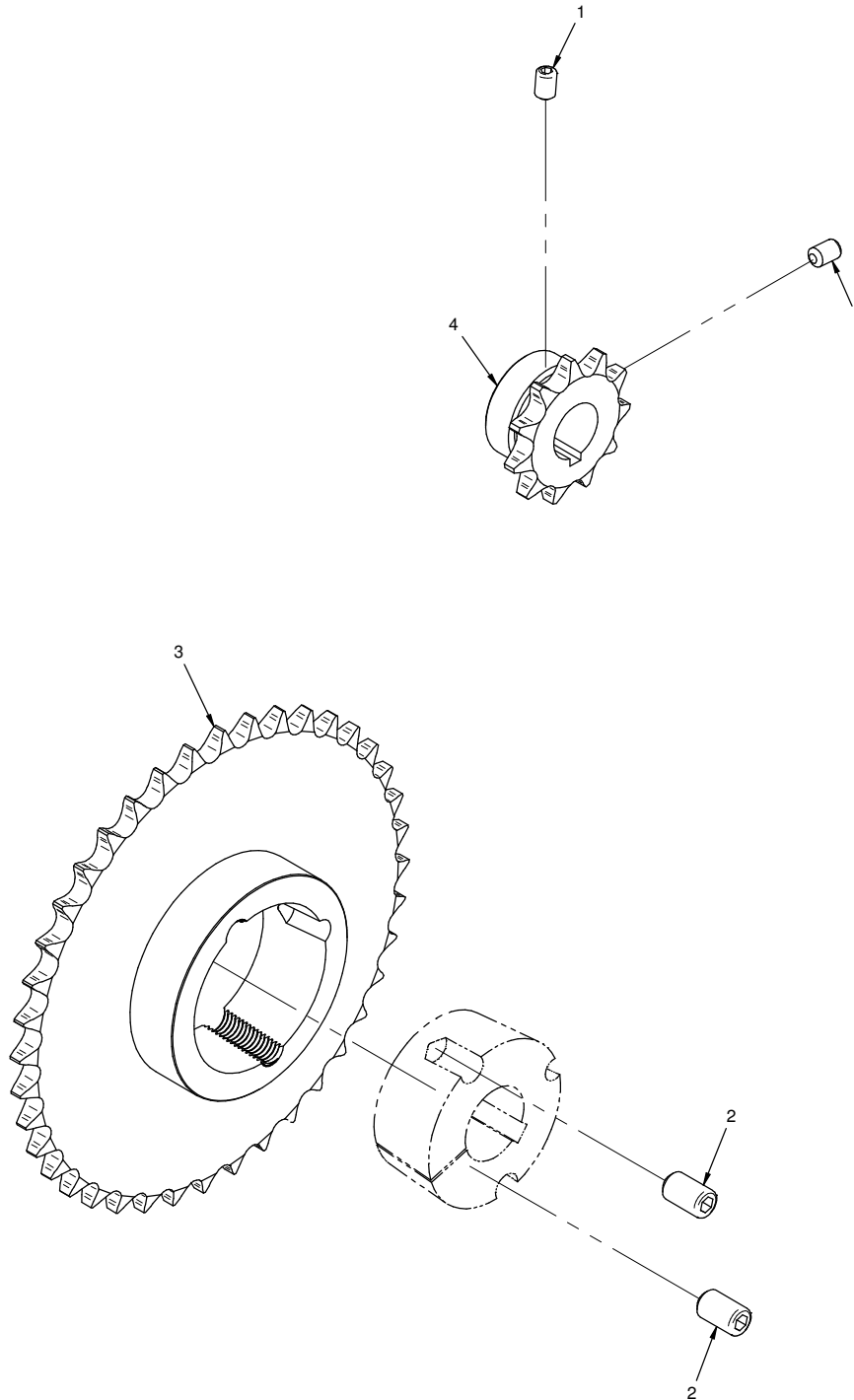
PARTS

70.8150 High Speed Sprocket Kit

REF.	PART NO.	DESCRIPTION	QTY.
1	85.SS24	.SET SCREW, 1/4-20 X 3/8 SS	2
2	85.SS27	.SET SCREW, 3/8-16 X 5/8 SS	2
3	83.40TB30	.SPROCKET, #40 30-T TAPER BORE	1
4	83.H4021	.SPROCKET, #40 21-T 3/4" BORE	1

PARTS

ILLUSTRATED DRAWING 70.8186 Slow Speed Sprocket Kit



PARTS

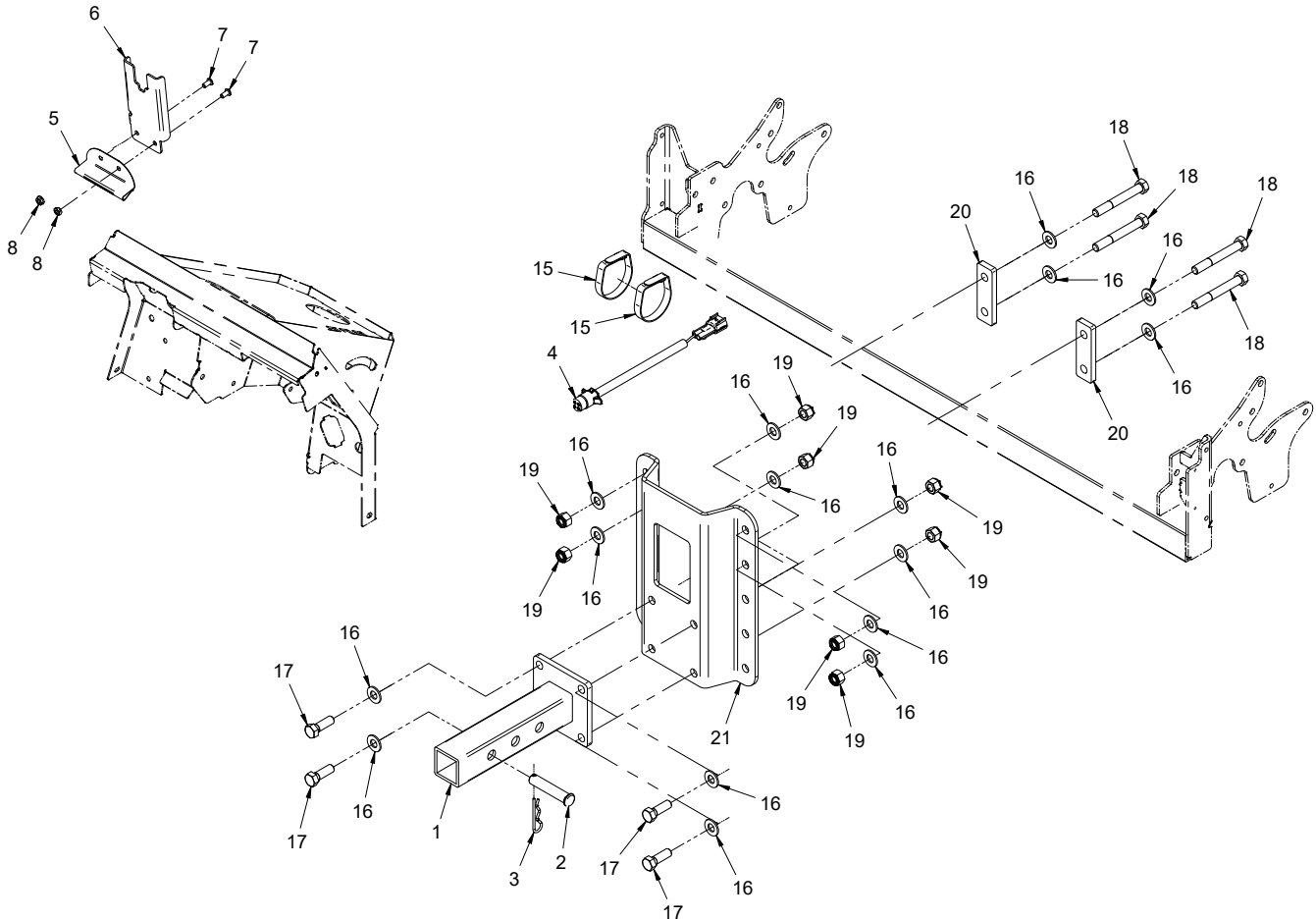
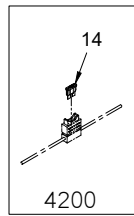
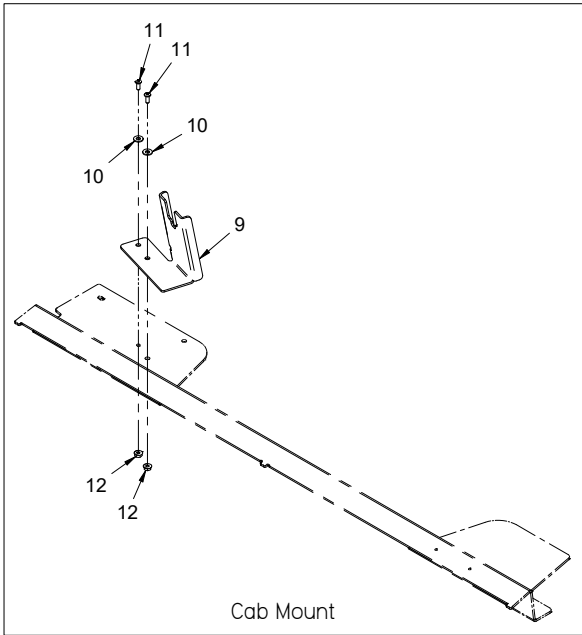
70.8186 Slow Speed Sprocket Kit

REF.	PART NO.	DESCRIPTION	QTY.
1	85.SS24	.SET SCREW, 1/4-20 X 3/8 SS	2
2	85.SS27	.SET SCREW, 3/8-16 X 5/8 SS	2
3	83.40TB40	.SPROCKET, #40 40-T TAPER BORE	1
4	83.H401112	.SPROCKET, #40 11-T HRD 3/4"	1

PARTS

ILLUSTRATED DRAWING

70.8140 SA250 Install For 4200/4500



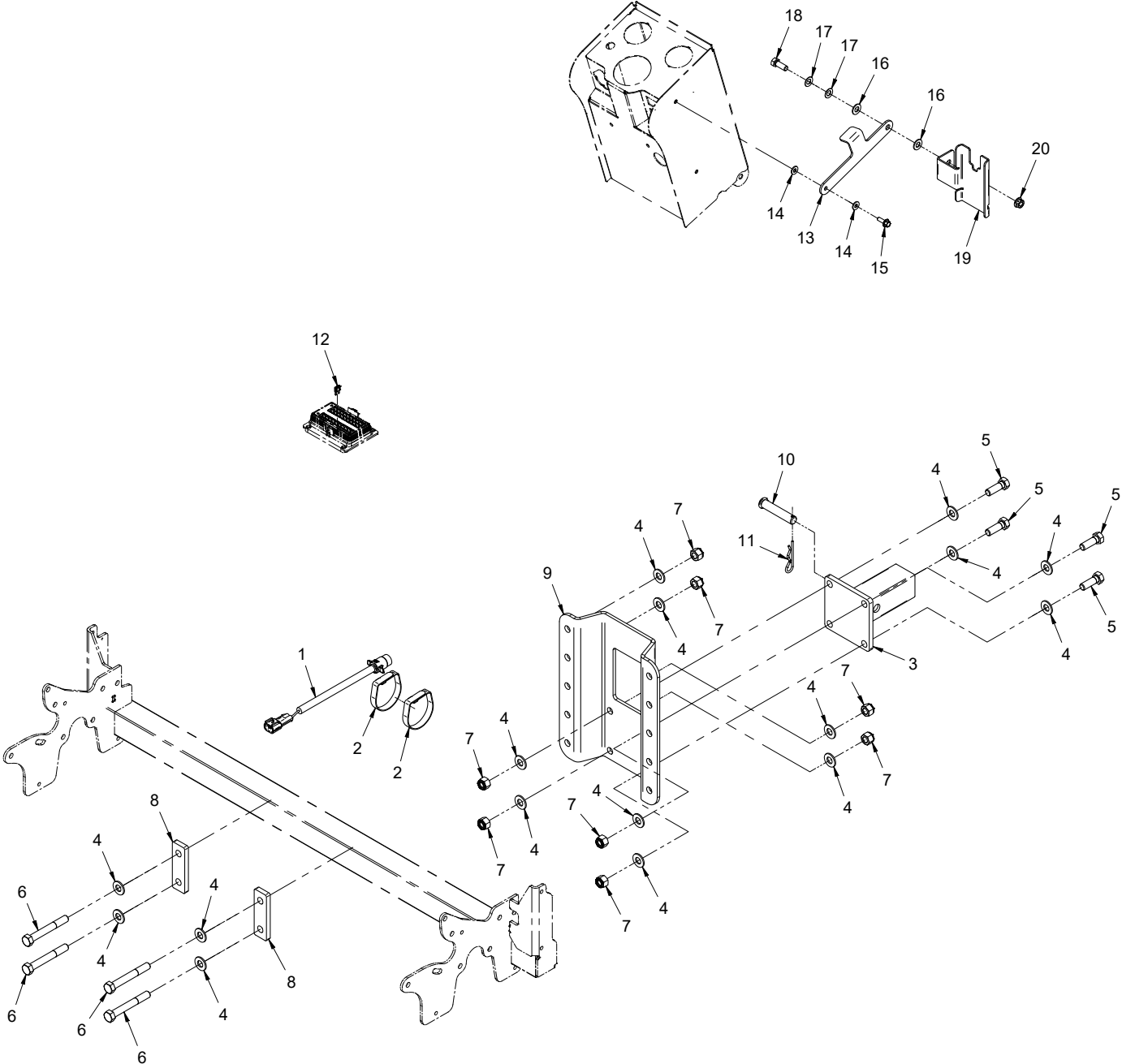
PARTS

70.8140 SA250 Install For 4200/4500

REF.	PART NO.	DESCRIPTION	QTY.
1	62.1412	.HITCH, SA SPREADER 4000 SERIES	1
2	03.1024	.CLEVIS PIN, 5/8 X 3 OAL	1
3	02.HP0420	.HAIRPIN, 1/8 X 2 1/2	1
4	32.0146	.HARNESS, WIRE SA CONN. 4 PIN	1
5	62.1422	.BASE, TRANSMITTER MOUNT	1
6	64.1856	.MOUNT, TRANSMITTER	1
7	99.0404	.BOLT, 1/4-20 X 1/2 BSCS	2
8	99.SF04	.NUT, SRF 1/4-20 USS	2
9	64.1847	.MOUNT, TRANSMITTER 4200/4500	1
10	99.B0051	.WASHER, FLAT #10	2
11	99.K0062	.MACHINE SCREW, #10-32 X 1/2	2
12	99.E0035	.NUT, SRF #10-32	2
14	30.0203	.FUSE, 20 AMP, ATC BLADE YELLOW	1
15	30.0411	.VELCRO, CABLE TIE	2
16	95.08-3	.WASHER, FLAT 1/2 SAE SS	16
17	90.0812-3	.BOLT, 1/2-13 USS X 1-1/2 SS	4
18	90.0830-3	.BOLT, 1/2-13 USS X 3-3/4 SS	4
19	99.A08N-3	.LOCKNUT, NYLON 1/2-13 USS SS	8
20	64.1850	.PLATE, SPREADER HITCH	2
21	64.1849	.MOUNT, SPREADER HITCH	1

PARTS

ILLUSTRATED DRAWING 70.8141 SA250 Install For 3400



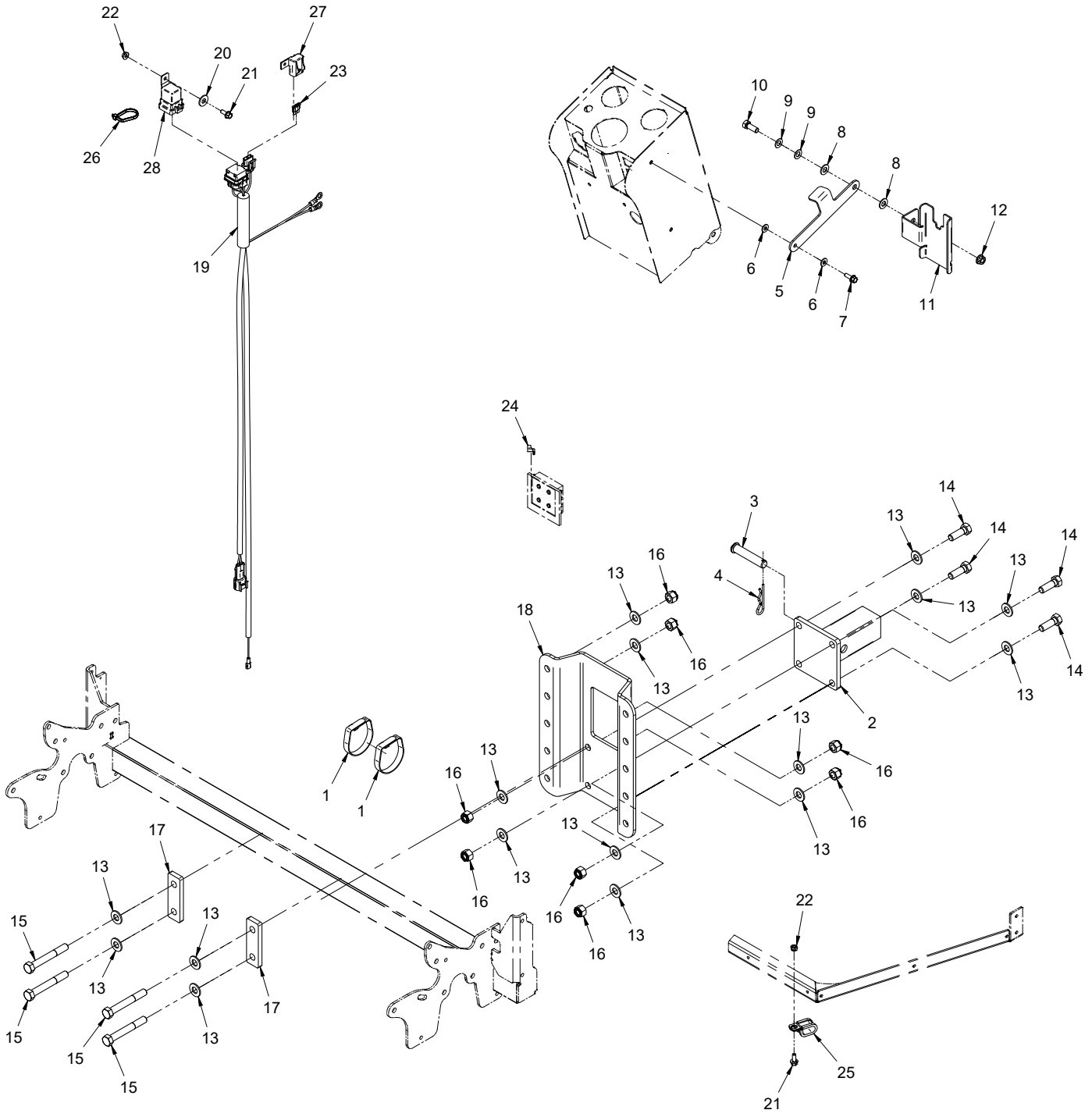
PARTS

70.8141 SA250 Install For 3400

REF.	PART NO.	DESCRIPTION	QTY.
1	32.0146	.HARNES, WIRE SA CONN. 4PIN	1
2	30.0411	.VELCRO, CABLE TIE	2
3	62.1413	.HITCH, SA SPREADER 3000 SERIES	1
4	95.08-3	.WASHER, FLAT 1/2 SAE SS	16
5	90.0812-3	.BOLT, 1/2-13 USS X 1-1/2 SS	4
6	90.0830-3	.BOLT, 1/2-13 USS X 3-3/4 SS	4
7	99.A08N-3	.LOCKNUT, NYLON 1/2-13 USS SS	8
8	64.1850	.PLATE, SPREADER HITCH	2
9	64.1849	.MOUNT, SPREADER HITCH	1
10	03.1024	.CLEVIS PIN, 5/8 X 3 OAL	1
11	02.HP0420	.HAIRPIN, 1/8 X 2 1/2	1
12	30.0335	.FUSE, 20 AMP MINI YELLOW	1
13	64.1534	.BRACKET, CONTROL BOX MOUNT	1
14	95.04	.WASHER, FLAT 1/4 SAE	2
15	99.SF0406-1	.BOLT, SMF 1/4-20 X 3/4	1
16	95.06	.WASHER, FLAT 3/8 SAE	2
17	41.0099	.SPRING, DISC 3/8 ID X 3/4 OD	2
18	90.0608	.BOLT, 3/8-16 USS X 1	1
19	64.1846	.MOUNT, TRANSMITTER 3200/3400	1
20	99.E0082	.NUT, LOCKING FLANGE 3/8-16	1

PARTS

ILLUSTRATED DRAWING 70.8151 SA250 Install For 3100/3200



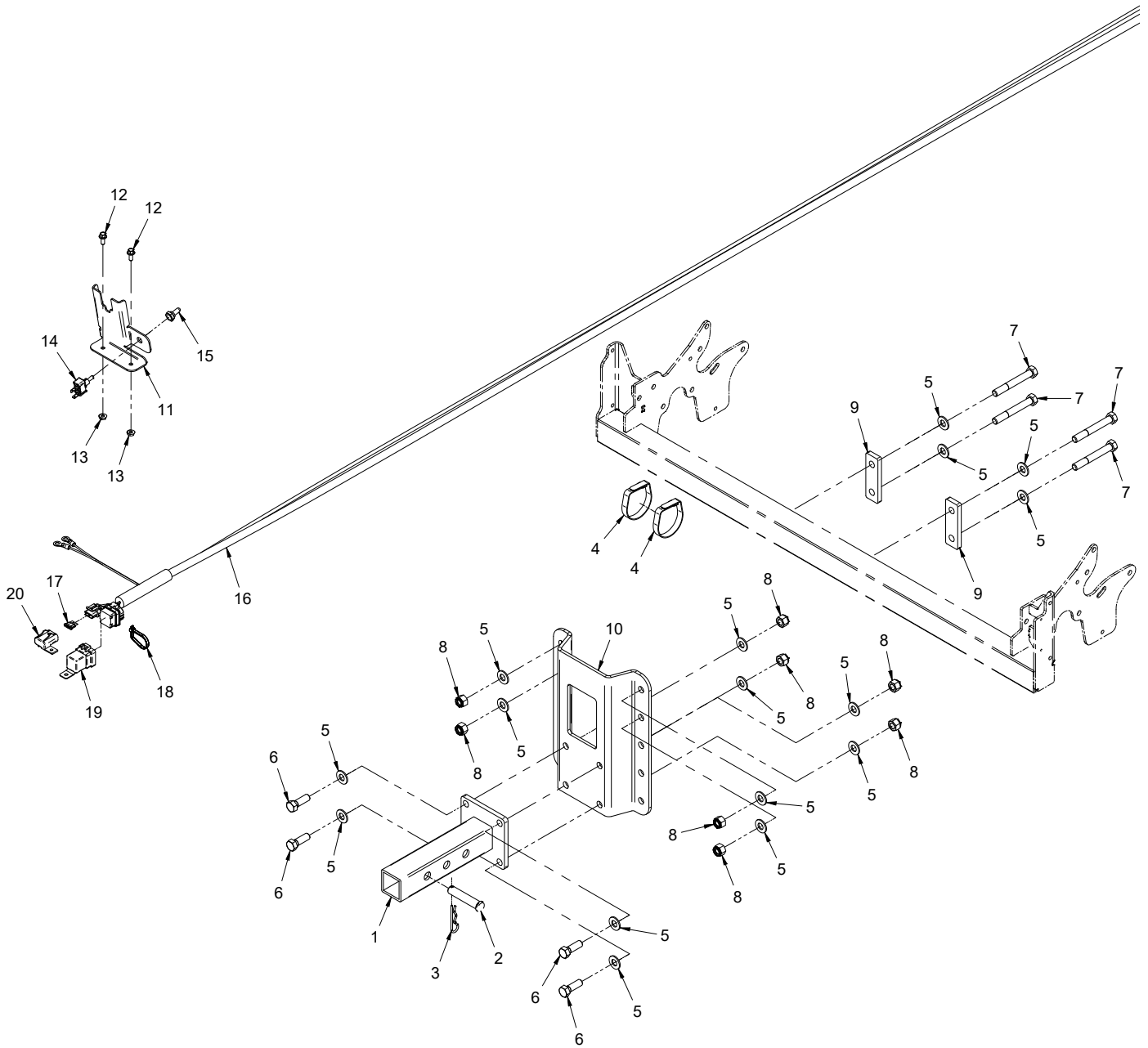
PARTS

70.8151 SA250 Install For 3100/3200

REF.	PART NO.	DESCRIPTION	QTY.
1	30.0411	.VELCRO, CABLE TIE	2
2	62.1413	.HITCH, SA SPREADER 3000 SERIES	1
3	03.1024	.CLEVIS PIN, 5/8 X 3 OAL	1
4	02.HP0420	.HAIRPIN, 1/8 X 2 1/2	1
5	64.1534	.BRACKET, CONTROL BOX MOUNT	1
6	95.04	.WASHER, FLAT 1/4 SAE	2
7	99.SF0406-1	.BOLT, SMF 1/4-20 X 3/4	1
8	95.06	.WASHER, FLAT 3/8 SAE	2
9	41.0099	.SPRING, DISC 3/8 ID X 3/4 OD	2
10	90.0608	.BOLT, 3/8-16 USS X 1	1
11	64.1846	.MOUNT, TRANSMITTER 3200/3400	1
12	99.E0082	.NUT, LOCKING FLANGE 3/8-16	1
13	95.08-3	.WASHER, FLAT 1/2 SAE SS	16
14	90.0812-3	.BOLT, 1/2-13 USS X 1-1/2 SS	4
15	90.0830-3	.BOLT, 1/2-13 USS X 3-3/4 SS	4
16	99.A08N-3	.LOCKNUT, NYLON 1/2-13 USS SS	8
17	64.1850	.PLATE, SPREADER HITCH	2
18	64.1849	.MOUNT, SPREADER HITCH	1
19	32.0163	.HARNESS, WIRE SA CONN. 31/3200	1
20	94.05	.WASHER, FLAT 5/16 USS	1
21	99.SF0405-1	.BOLT, SMF 1/4-20 X 5/8	2
22	99.SF04	.NUT, SRF 1/4-20 USS	2
23	30.0203	.FUSE, 20 AMP, ATC BLADE YELLOW	1
24	30.0146	.TERMINAL, ADAPTER 1/4 PUSH ON	1
25	11.0046	.CLAMP, CUSHIONED METAL 1/2"	1
26	30.0037	.TYTON TIE, #50 .18 X 8 BLACK	4
27	30.0478	.CAP, MP630 FUSE	1
28	35.0122	.RELAY, 12V 20/40A MINI SEALED	1

PARTS

ILLUSTRATED DRAWING 70.8142 SA250 Install Universal 2" Receiver



PARTS

70.8142 SA250 Install Universal 2" Receiver

REF.	PART NO.	DESCRIPTION	QTY.
1	62.1412	HITCH, SA SPREADER 4000 SERIES	1
2	03.1024	CLEVIS PIN, 5/8 X 3 OAL	1
3	02.HP0420	HAIRPIN, 1/8 X 2 1/2	1
4	30.0411	VELCRO, CABLE TIE	2
5	95.08-3	WASHER, FLAT 1/2 SAE SS	16
6	90.0812-3	BOLT, 1/2-13 USS X 1-1/2 SS	4
7	90.0830-3	BOLT, 1/2-13 USS X 3-3/4 SS	4
8	99.A08N-3	LOCKNUT, NYLON 1/2-13 USS SS	8
9	64.1850	PLATE, SPREADER HITCH	2
10	64.1849	MOUNT, SPREADER HITCH	1
11	64.1848	MOUNT, TRANSMITTER UNIVERSAL	1
12	99.SF0405-1	BOLT, SMF 1/4-20 X 5/8	2
13	99.SF04	NUT, SRF 1/4-20 USS	2
14	31.0034	SWITCH, TOGGLE ON/OFF SPST	1
15	30.0157	BOOT, TOGGLE SWITCH	1
16	32.0147	HARNESS, WIRE SA CONN. UNIV.	1
17	30.0203	FUSE, 20 AMP, ATC BLADE YELLOW	1
18	30.0037	TYTON TIE, #50 .18 X 8 BLACK	6
19	35.0122	RELAY, 12V 20/40A MINI SEALED	1
20	30.0478	CAP, MP630 FUSE	1

PARTS

70.8143 SA250 Install 3 Point Hitch

REF.	PART NO.	DESCRIPTION	QTY.
1	30.0411	.VELCRO, CABLE TIE	2
2	62.1415	.HITCH, SA SPREADER 3PT TOPLINK	1
3	62.1420	.BRACKET, SA SPREADER 3-PT LEFT	1
4	62.1421	.BRACKET, SA SPREADER 3 PT RIGHT	1
5	11.0053	.U-BOLT, 3/8-16 2-1/16 ID SQ	4
6	99.E0082	.NUT, LOCKING FLANGE 3/8-16	8
7	03.0004	.PIN, TOP LINK CATEGORY 1	1
8	03.0005	.PIN, LINCH	3
9	03.0023	.PIN, LIFT ARM 7/8" X 5-3/4	2
10	64.1848	.MOUNT, TRANSMITTER UNIVERSAL	1
11	99.SF0405-1	.BOLT, SMF 1/4-20 X 5/8	2
12	99.SF04	.NUT, SRF 1/4-20 USS	2
13	31.0034	.SWITCH, TOGGLE ON/OFF SPST	1
14	30.0157	.BOOT, TOGGLE SWITCH	1
15	32.0147	.HARNESS, WIRE SA CONN. UNIV	1
16	30.0203	.FUSE, 20 AMP, ATC BLADE YELLOW	1
17	30.0037	.TYTON TIE, #50 .18 X 8 BLACK	6
18	35.0122	.RELAY, 12V 20/40A MINI SEALED	1
19	30.0478	.CAP, MP630 FUSE	1
30	99.E0074	.NUT, JAM 7/8-14 SAE	1
31	96.14	.WASHER, LOCK 7/8	1
32	93.14	.NUT, 7/8-14 SAE	1