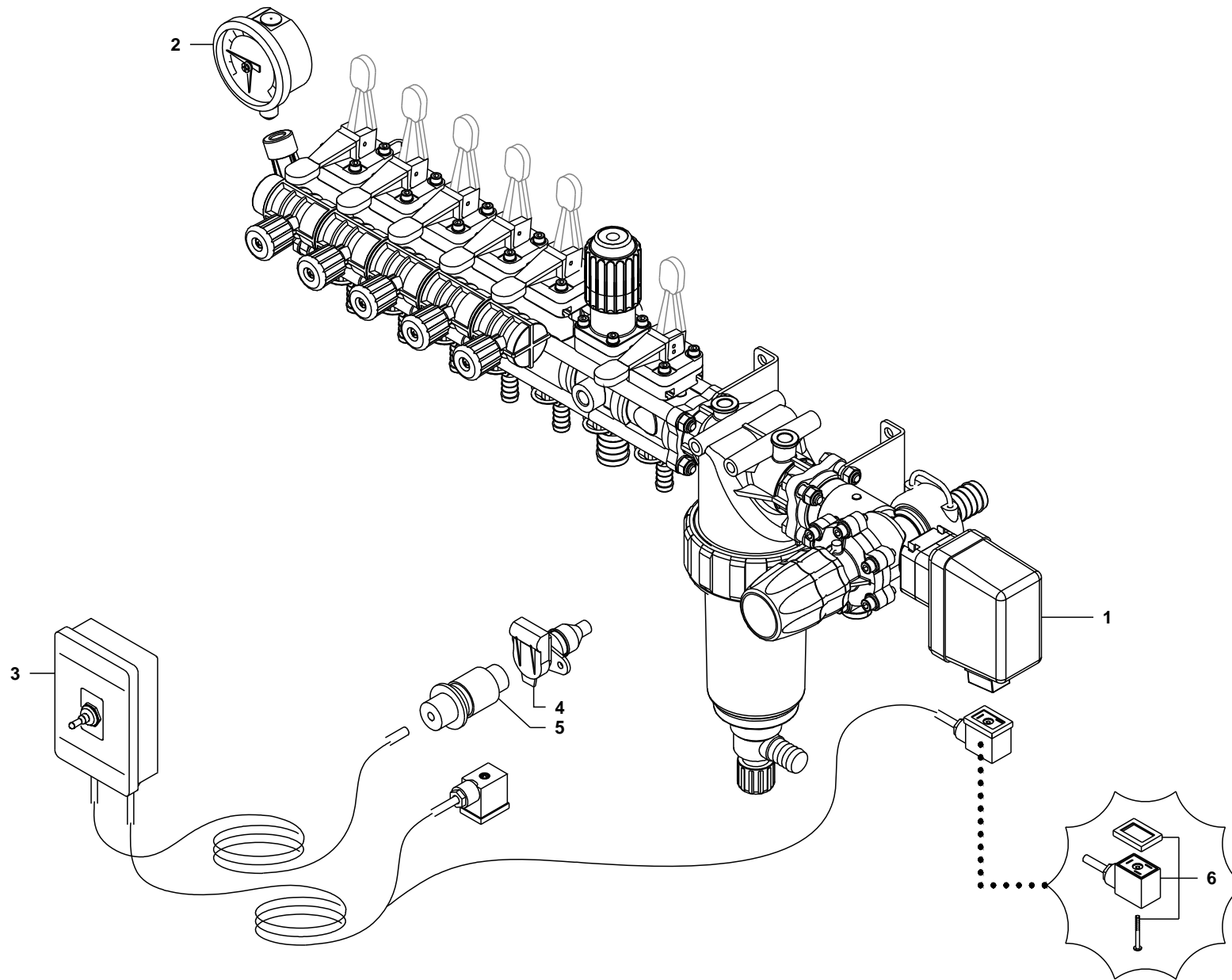
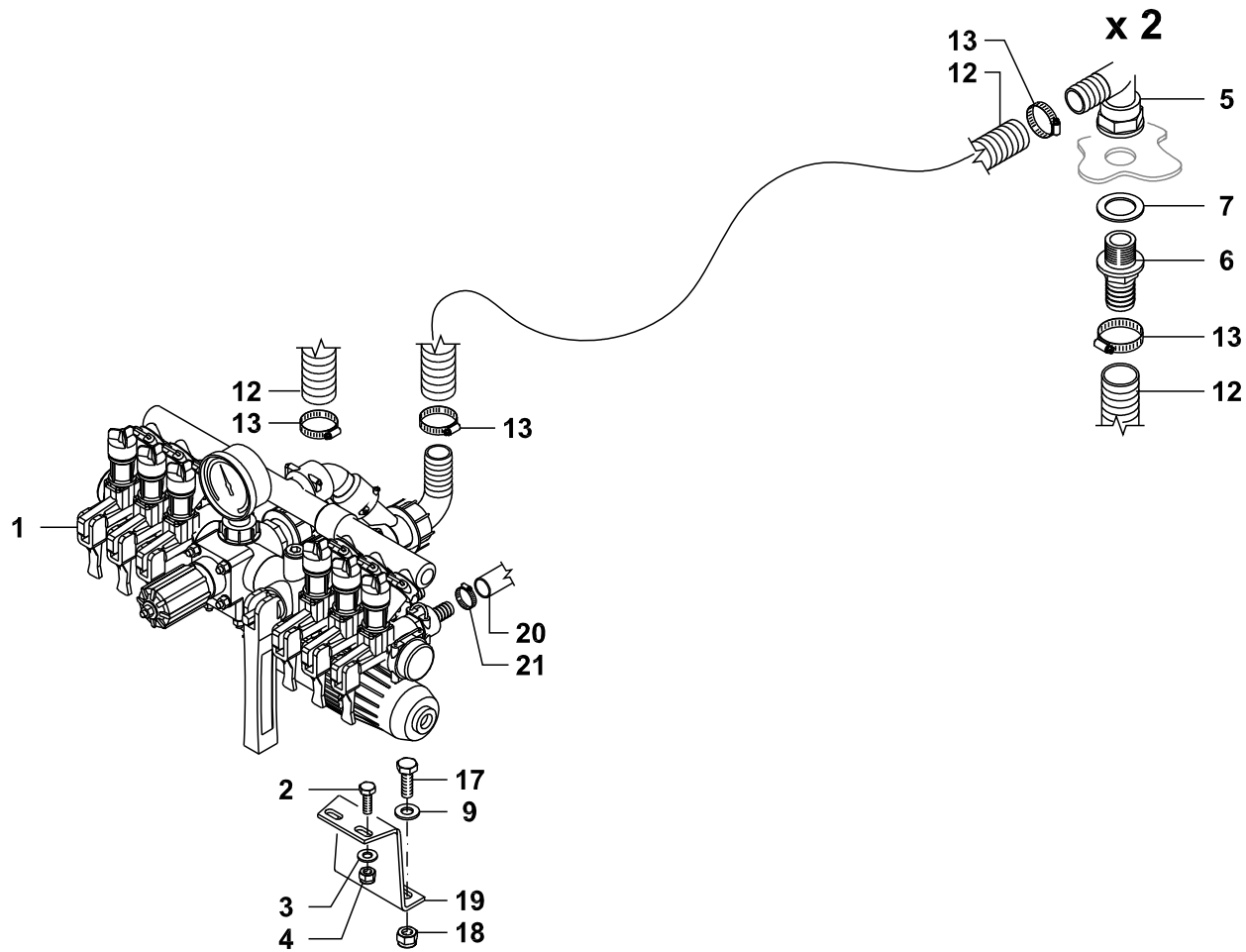


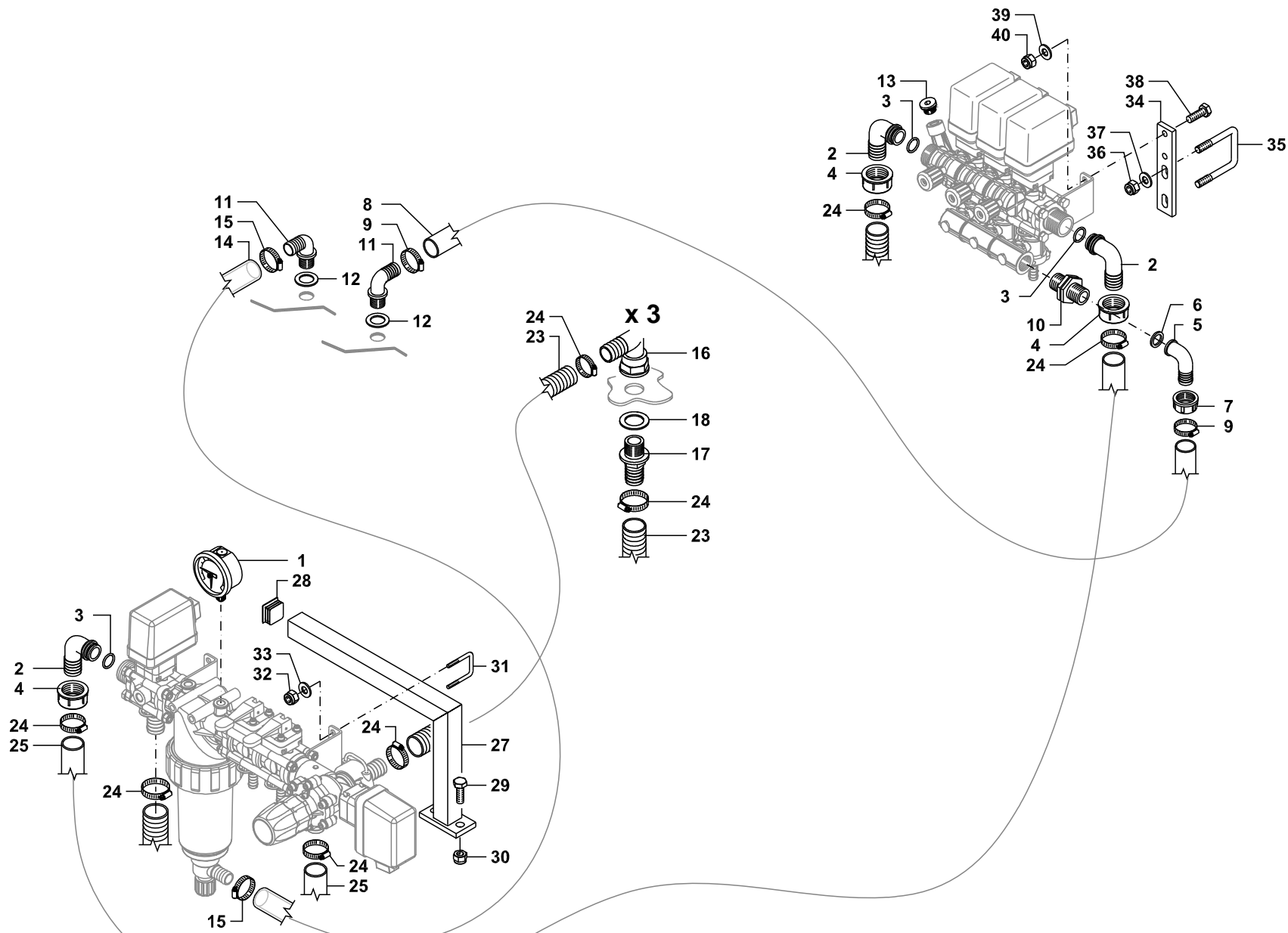
1	BG001438	
2	GG500100020Z	
3	GG919800004Z	
4	GG610420209	200l.
4	GG610420309	300l.
4	GG610420409	400l.
5	GGA00300120	
6	GG610420015	
7	GG630100020	
8	GG680000017	
9	GGA00504105	
10	GGA00G40005	
11	BG009758	
12	GGA00116530	
13	GGA00G10051	
14	GGA002002050	
15	GG563080000	D.30mm
16	GG919725035X	
17	GGA00106630	
18	GGA00G10061	
19	GGA002002060	
20	BG019378	1"1/2
21	GGA314003.030	50 Mesh
22	GG907008017Z	
23	GG900108016Z	
24	GGA00116630	
25	GGA00502010	
29	GG999900035	
30	GG561301000	
31	GG919711020X	
32	GGA00220040	
33	GGA00G40004	
34	GGA002102040	
35	GGA00G40014	
36	GGA002052040	
37	GGA00356040	
38	A- 356040.020NB	
39	GGA350440.020	
40	GG919848035	



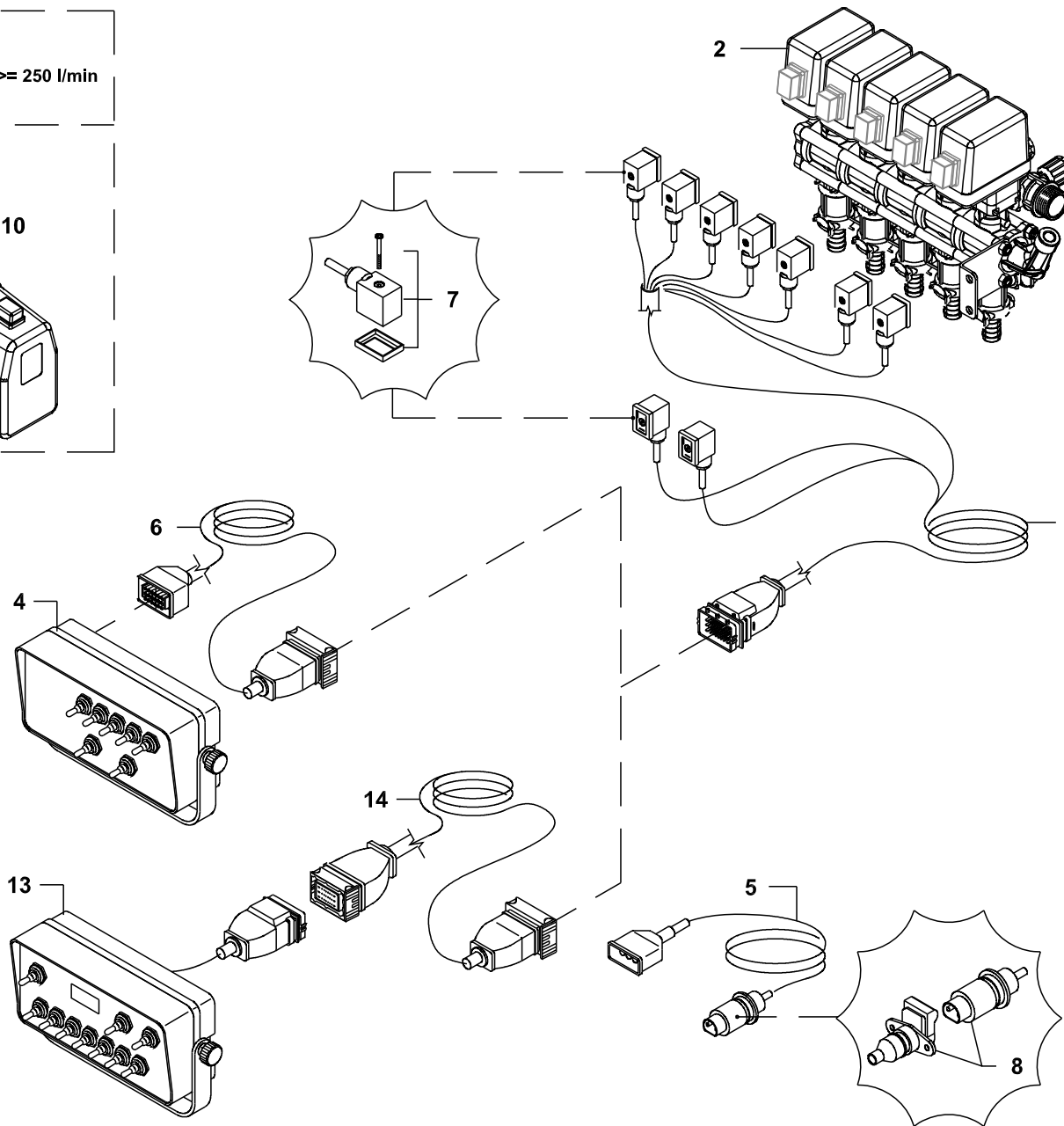
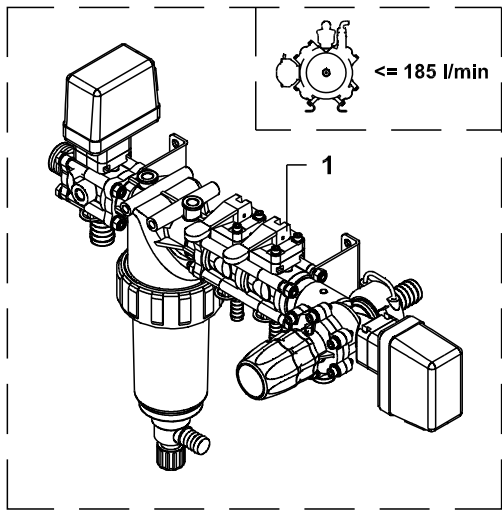
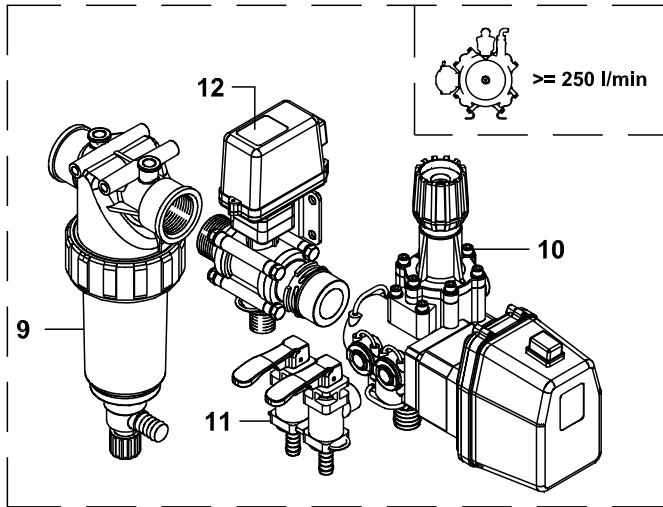
1	GGA00471CGA08	3 vie + 1
1	GGA00471CGA09	5 vie + 1
2	GG680000028	
3	BG020373	
4	GG810100069	
5	GG810100047	
6	GGA00ECS0015	



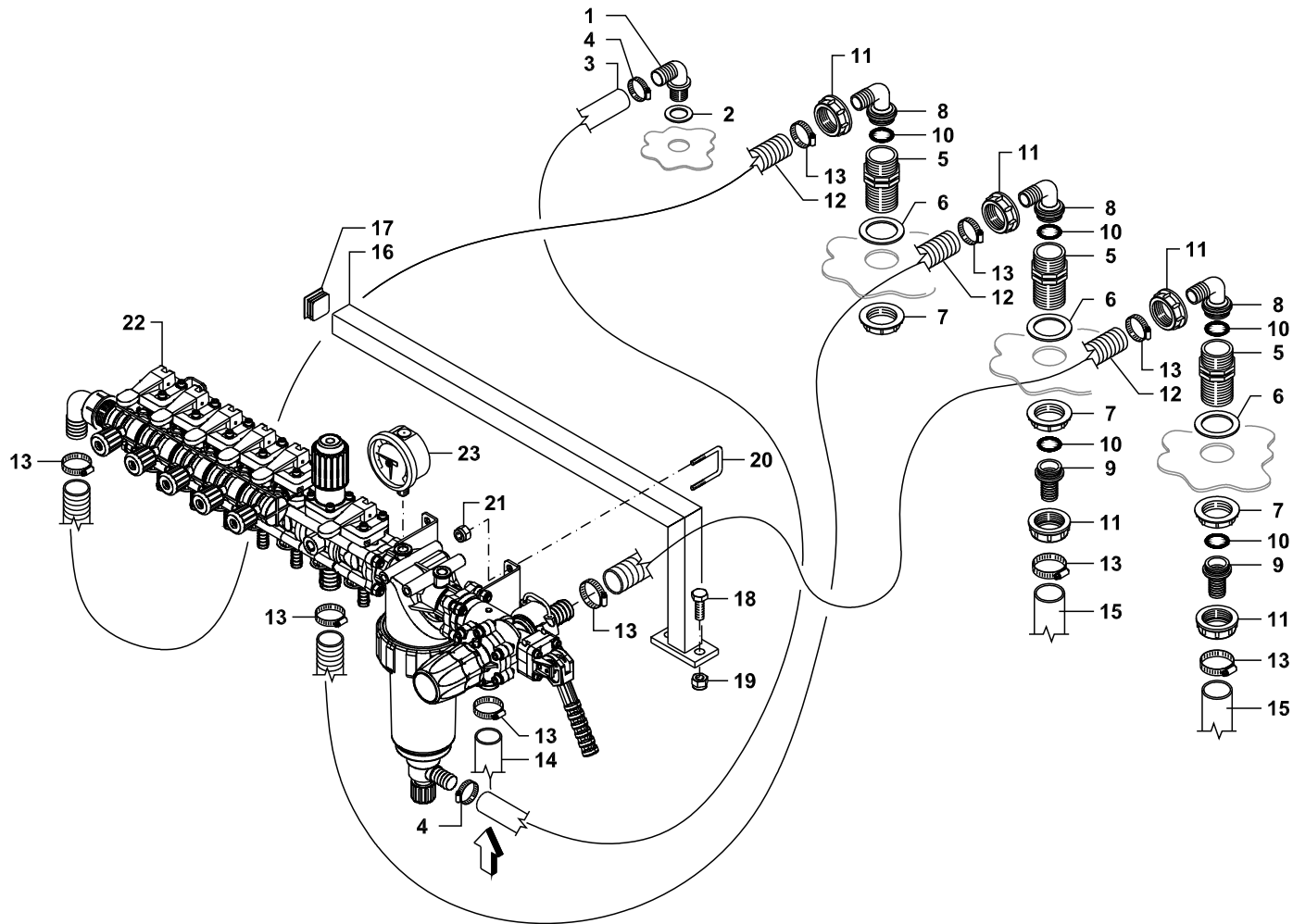
1	GGAR1357/01	4 vie
1	GGAR1359/01	6 vie
2	GG900108025Z	
3	GG907008017Z	
4	GG905400008	
5	BG019109	
6	BG013227	
7	GGA00G40003	
12	GG562580000	
13	GG919725035X	
15	GG562592000	
16	GG501100022V	
17	GG900110030Z	
18	GG905400010	
19	GG907010021Z	
20	GG561301000	
21	GG919711020X	



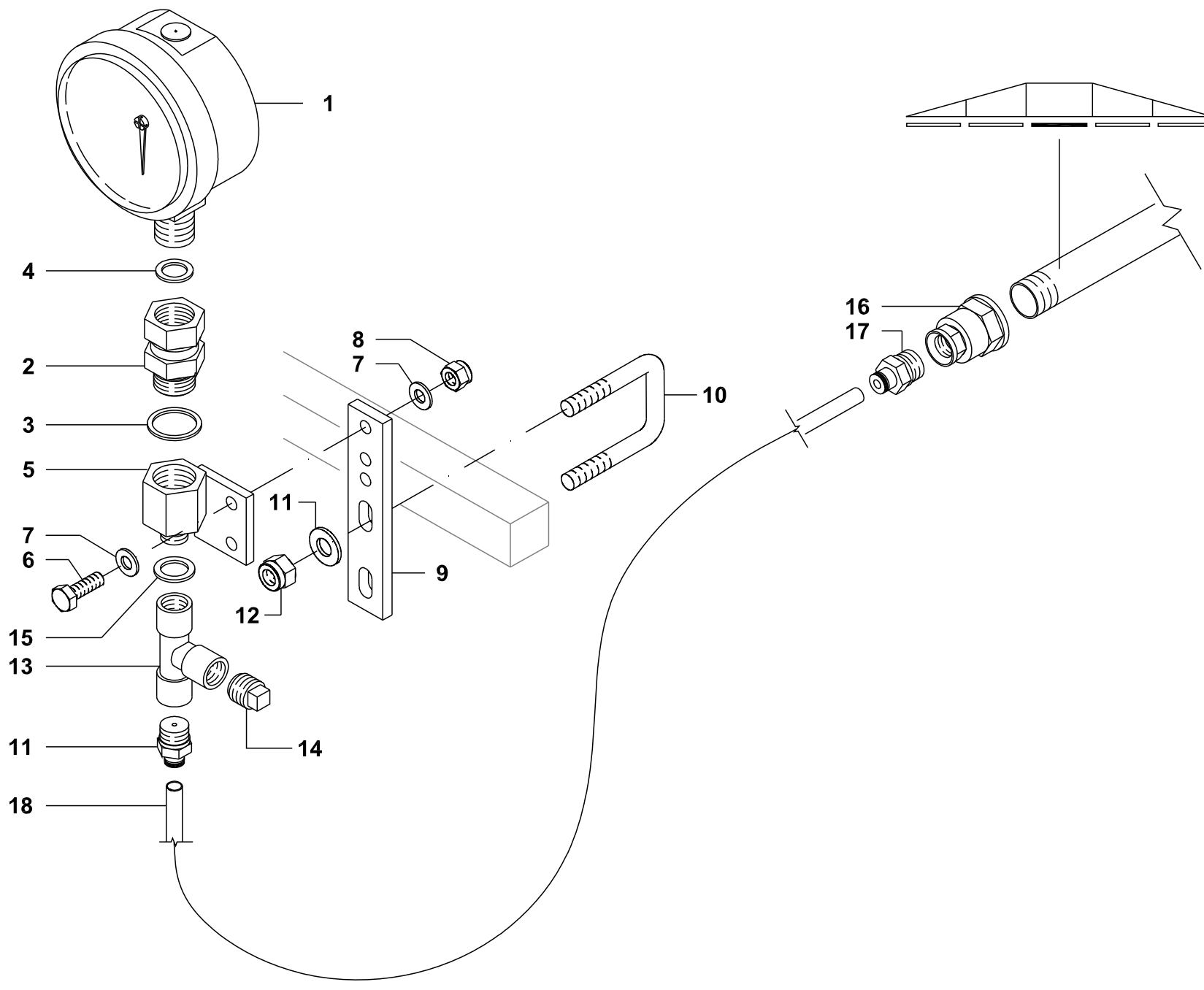
- 1 GG680000028
- 2 GGA00116425
- 3 GGA00G10041V
- 4 GGA002002040
- 5 GGA00115320
- 6 GGA00G40013
- 7 GGA002002030
- 8 GG561900000
- 9 GG919714027X
- 10 GGA002502030
- 11 BG011332
- 12 GGA00G40002
- 13 GG570100036Z
- 14 GG562092000
- 15 GG919701001
- 16 BG019109
- 17 BG0193227
- 18 GGA00G40003
- 23 GG562580000
- 24 GG919725035X
- 25 GG562501000
- 27 GG650300013V
- 28 GG950130030
- 29 GG900110030Z
- 30 GG905400010
- 31 GG500500004Z
- 32 GG905300006
- 33 GG907106018Z
- 34 GG650300015V
- 35 GG500500002Z
- 36 GG905300010
- 37 GG907010021Z
- 38 GG900108025Z
- 39 GG907008017Z
- 40 GG905400008



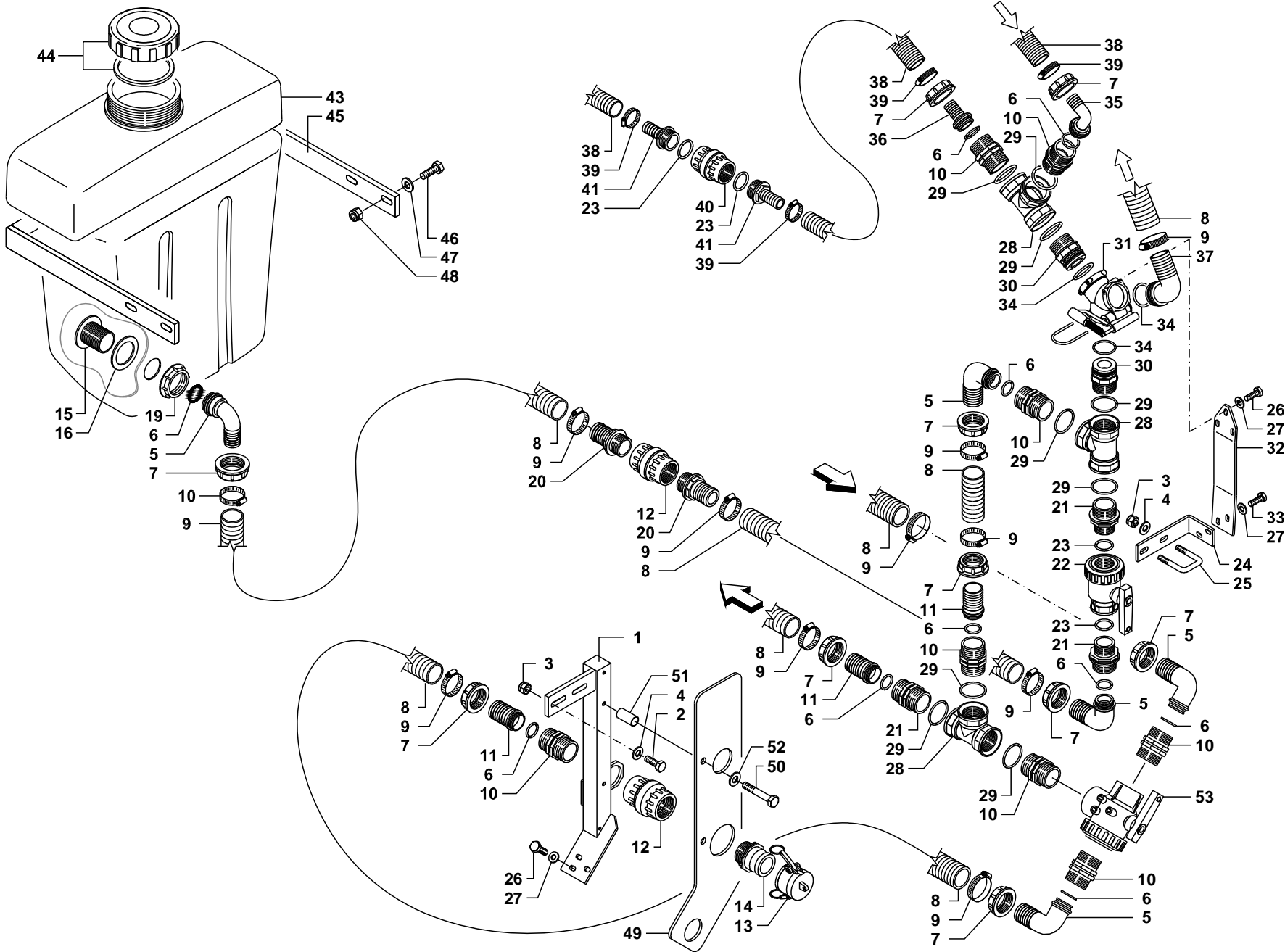
1	GGA00471CGA11	
2	GGA00463CGA13	5 funz.
2	GGA00463CGA14	7 funz.
3	BG020265	
4	BG020270	5 funz.
5	GGA466550.080	
6	BG020268	
7	GGA00ECS0015	
8	GGA00466111	
9	GGA0032821535	
10	GGA004642502	
11	GGA464402.150	
12	BG020120	
13	BG021263	7 funz.
14	BG021729	



1	BG011332	
2	GGA00G40002	
3	GG562092000	
4	GG919701001	
5	GGA002502061	
6	GGA00G40006	
7	GGA002052060	
8	GGA00116625	
9	GGA00106625	
10	GGA00G10061	
11	GGA002002060	
12	GG562580000	
13	GG919717032X	
14	GG562501000	
15	GG562592000	
16	GG650300008V	
17	GG950130030	
18	GG900110030Z	
19	GG905400010	
20	GG500500004Z	
21	GG905300006	
22	GGA00471CGA03	3 vie + 1
22	GGA00471CGA04	5 vie + 1
23	GG680000028	

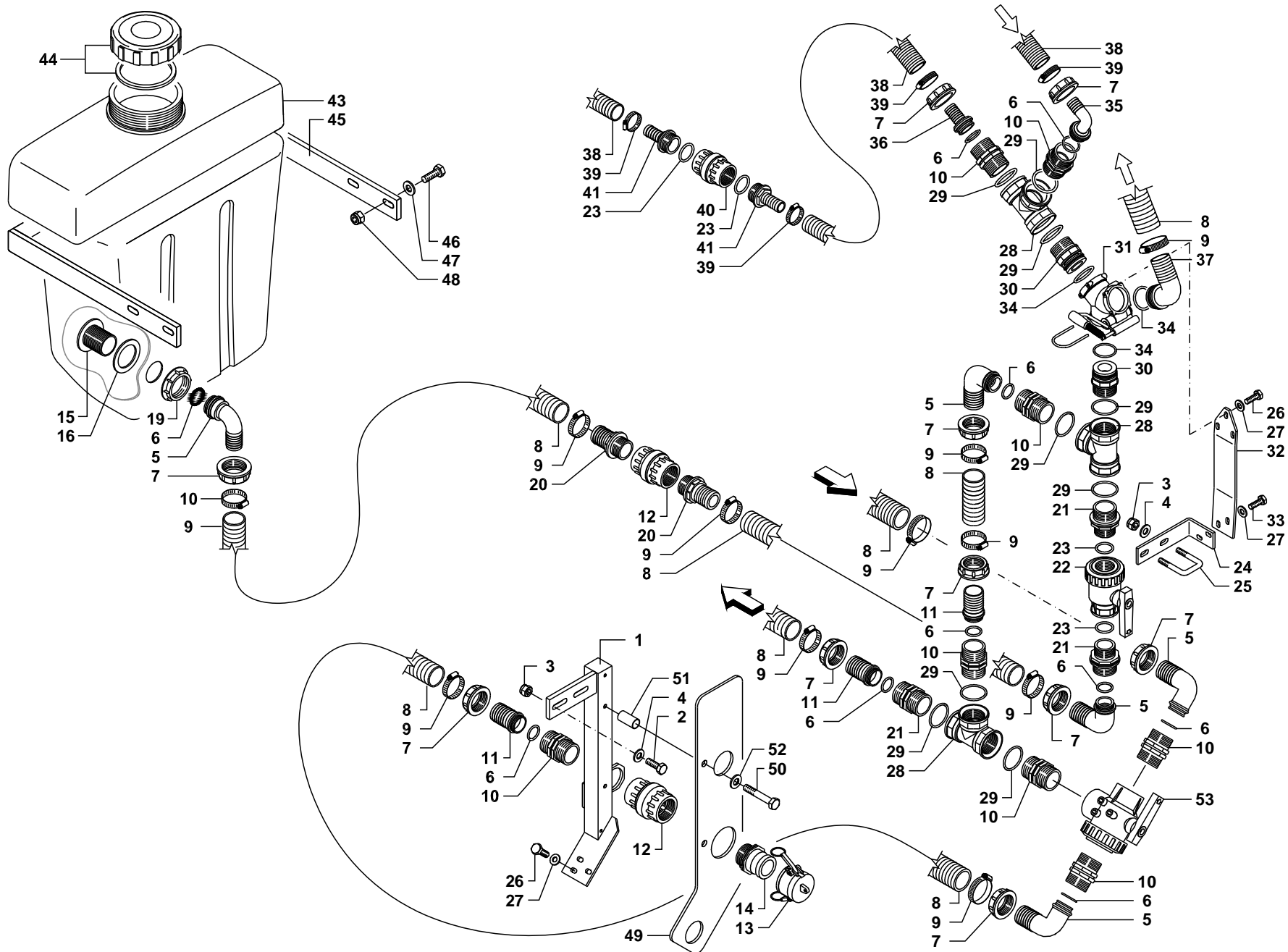


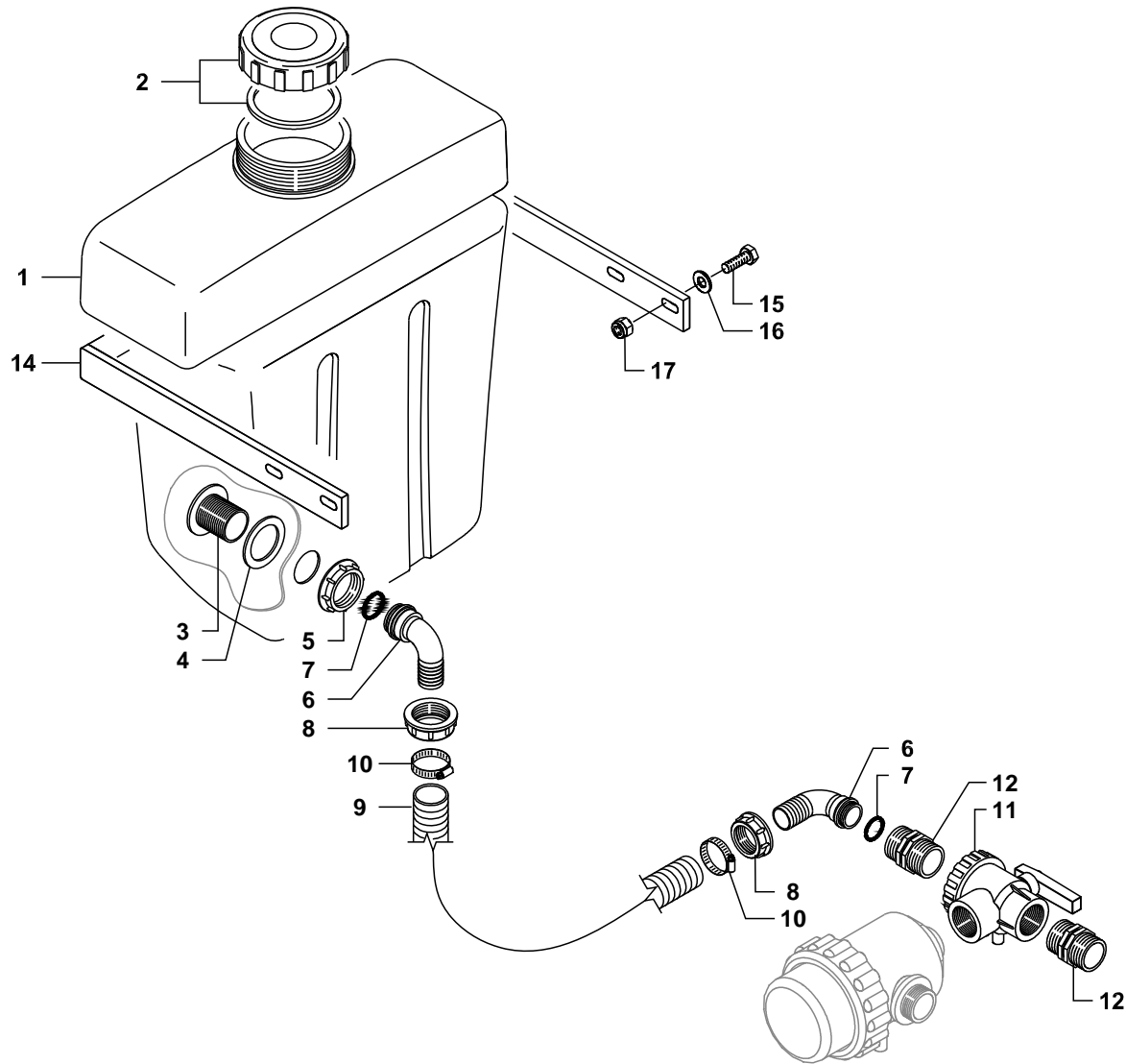
1	BG023977	
2	GG740000047Z	
3	BB50243121	
4	BG016398	
5	GG392000230Z	
6	GG900106025Z	
7	GG907106018Z	
8	GG905300006	
9	BG020404	
10	GG500500001Z	
11	GG907010021Z	
12	GG905400010	
13	GG570100034Z	
14	GG570100036Z	
15	BB50243113	
16	GGA002352020	
17	GG820110007	
18	GG560284000	



- 1 GG300600110V
- 2 GG900110035Z
- 3 GG905300010
- 4 GG907111030Z
- 5 GGA00116640
- 6 GGA00G10061
- 7 GGA002002060
- 8 GG564080000
- 9 GG919732044X
- 10 GGA002502060
- 11 GGA00106640
- 12 GGA00504015
- 13 GGA0018106H
- 14 GGA0018106F
- 15 GGA00220060
- 16 GGA00G40006
- 19 GGA002052060
- 20 BG014276
- 21 GGA002402065
- 22 GGA004542135
- 23 GGA00G10052
- 24 GG501100070V
- 25 GG500500001Z
- 26 GG900108016Z
- 27 GG907008017Z
- 28 GGA001302060
- 29 GGA00G10062
- 30 GGA00460360
- 31 GGA00452200
- 32 GG501100071V
- 33 GG900108025Z
- 34 GGA460000.210
- 35 GGA00116625
- 36 GGA00106625
- 37 GGA00460140
- 38 GG562580000
- 39 GG919717032X
- 40 GGA00504010
- 41 BG014272
- 43 GG610420060
- 44 BG003722
- 45 BG020108
- 45 BG020106
- 46 GG900112035Z
- 47 GG907012025Z
- 48 GG905300012
- 49 GG300600175
- 50 BG002728
- 51 GG300600178
- 52 GG907108024Z

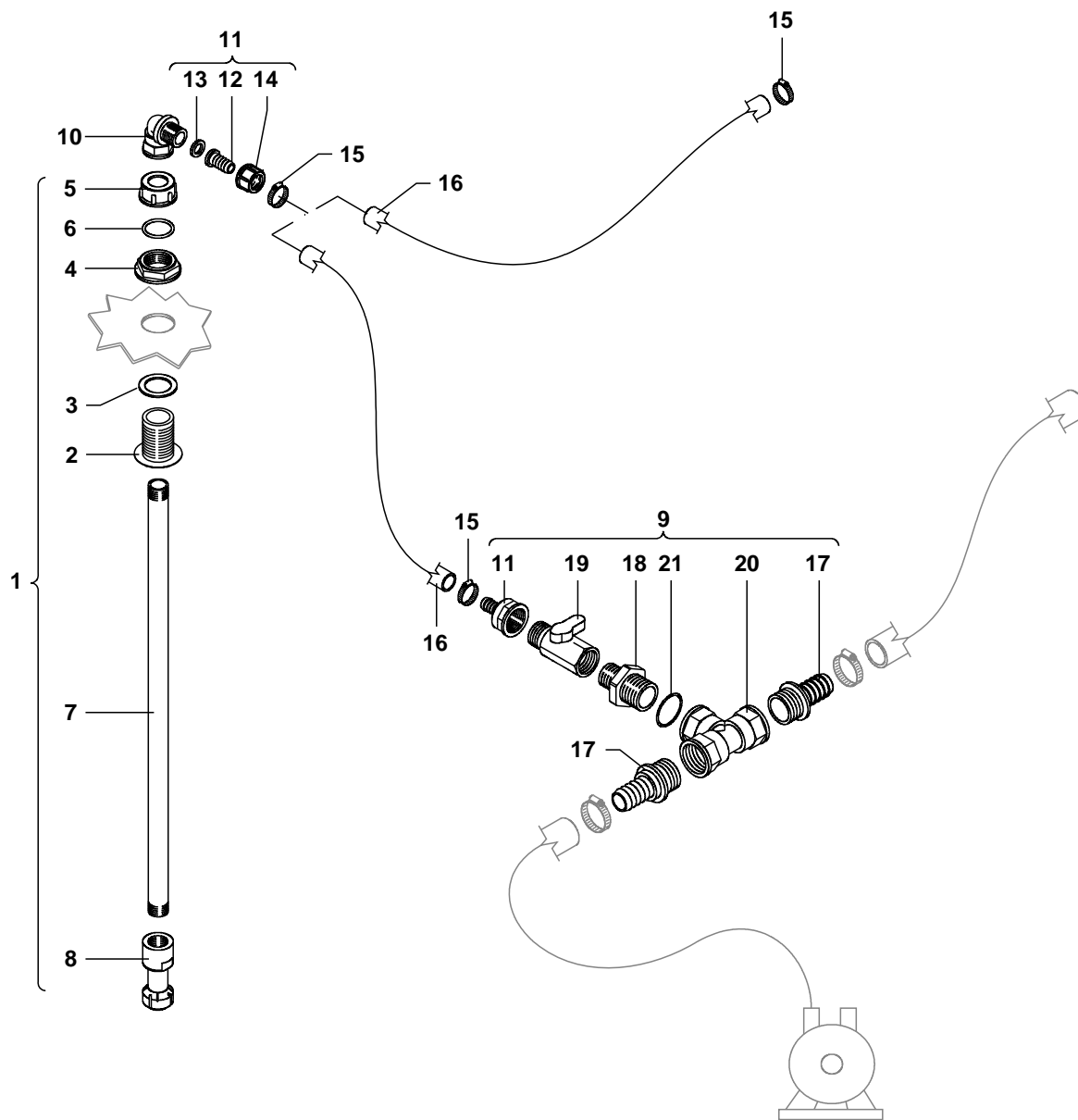
200-300-400
600



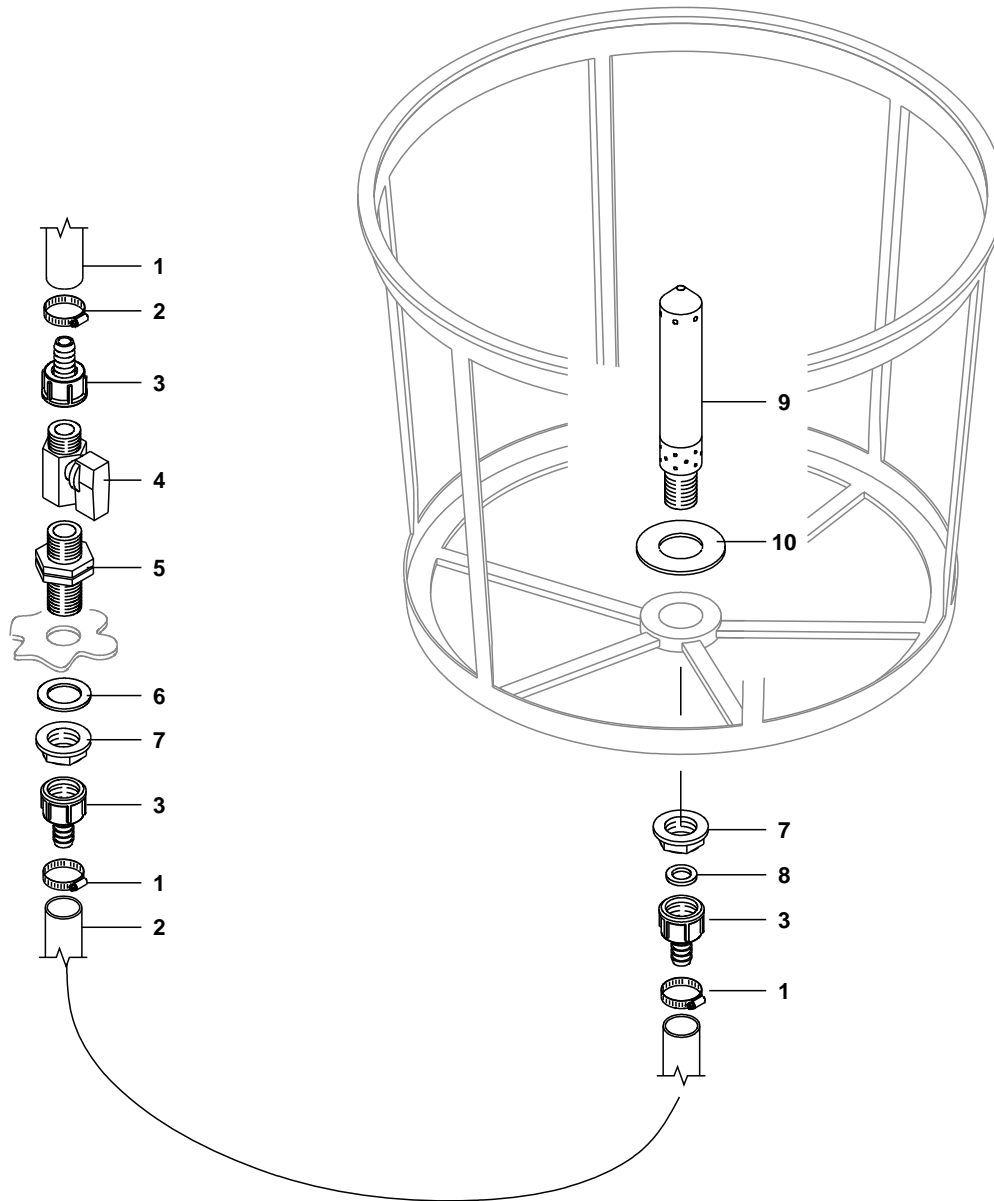


- 1 GG610420060
- 2 BG003722
- 3 GGA00220060
- 4 GGA00G40006
- 5 GGA002052060
- 6 BG019381
- 7 GGA00G10061
- 8 GGA002002060
- 9 GG563080000
- 10 GG919725035X
- 11 BG019380
- 12 GGA002502060
- 14 BG020108
- 14 BG020106
- 15 GG900112030Z
- 16 GG907012025Z
- 17 GG905300012

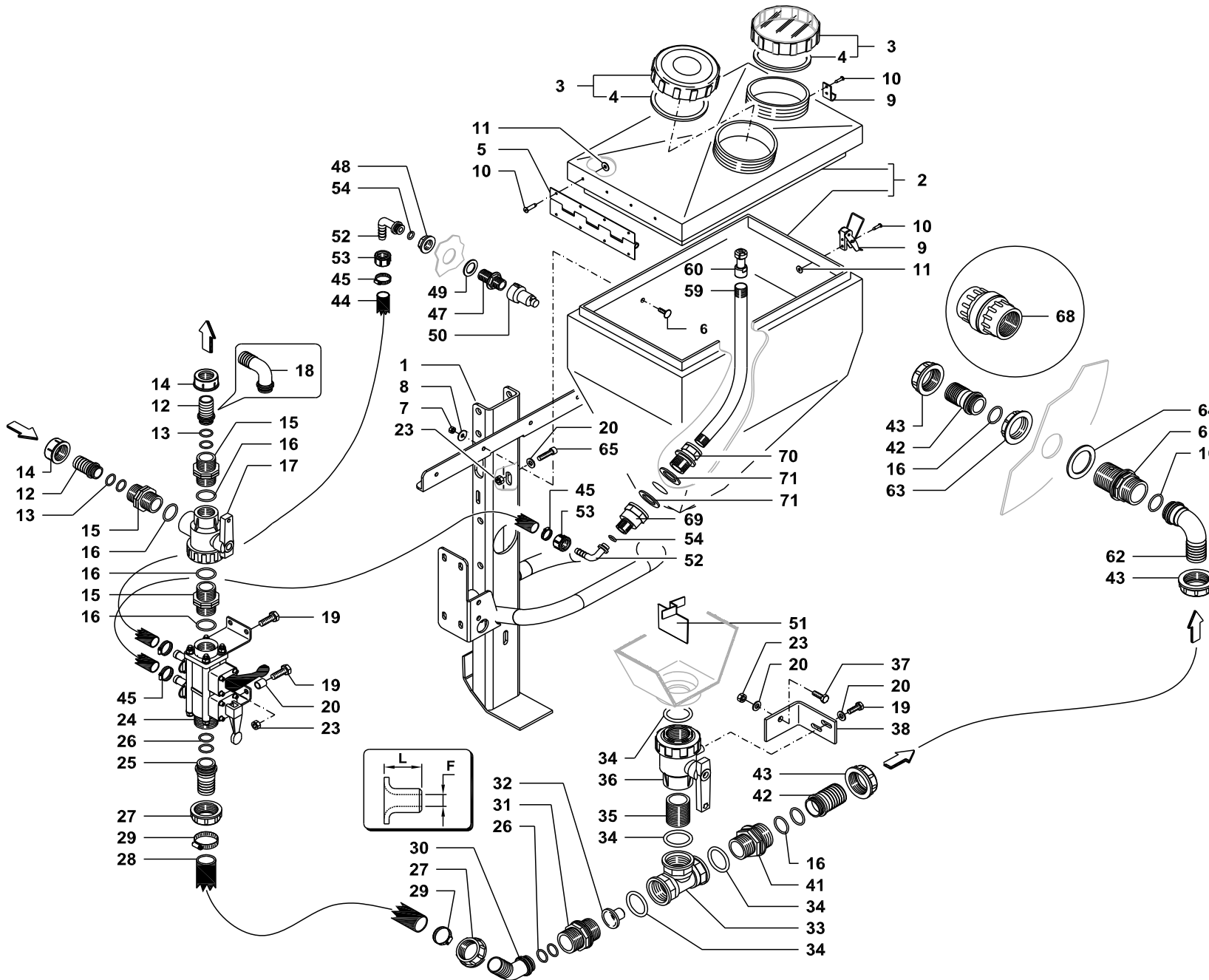
200-300-400
600



- 1 GG680000075
- 2 GGA00220040SS
- 3 GGA00G400004
- 4 GGA002052040
- 5 GGA002102040S
- 6 GG600200211
- 7 GG550000570
- 8 BG027143
- 9 GG993100057
- 10 GGA001262022
- 11 GG999900035
- 12 GGA00105213
- 13 GGA00G40012
- 14 GGA002002020
- 15 GG919713020
- 16 GG561301200
- 17 GGA001033255
- 18 GGA002402032
- 19 GG570100014
- 20 GGA001302030
- 21 BG019111



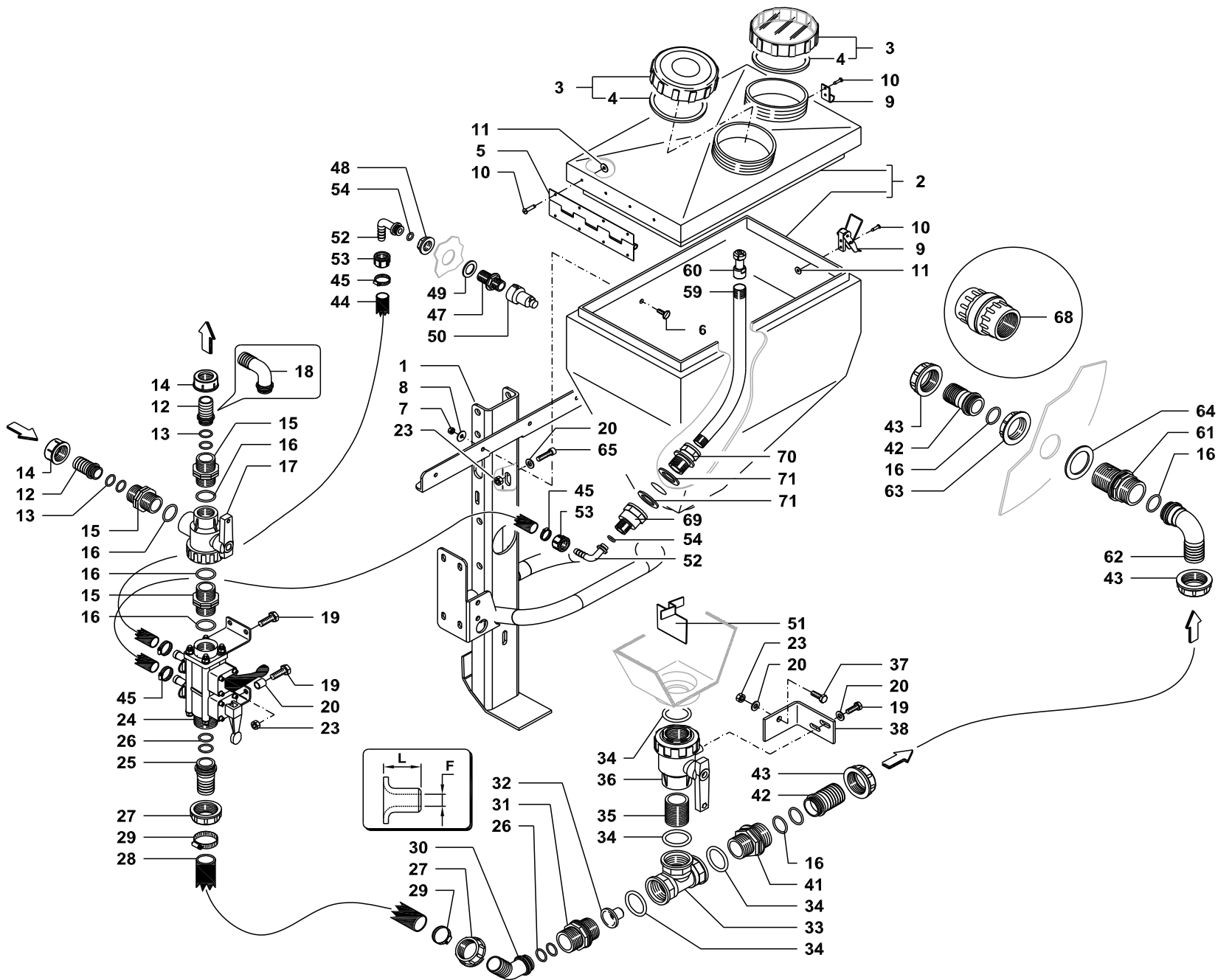
- 1 GG561301000
- 2 GG919711020X
- 3 GG999900035
- 4 GG570100014
- 5 GGA002502021
- 6 GGA00G40002
- 7 GGA002052020
- 8 GGA00G40012
- 9 GGKROB.3206061
- 10 GGKROB.3206062



- 1 BG025370
- 2 BG024722
- 3 BG013981 F3
- 4 BG013981 N3
- 5 GG680001023
- 6 GG904706020X
- 7 GG905400006X
- 8 GG907106018X
- 9 GG680001024
- 10 GG680001125
- 11 GG907104012X
- 12 GGA00106425
- 13 GGA00G10041
- 14 GGA002002040
- 15 GGA002502040
- 16 GGA00G10061
- 17 GGA004542234H
- 18 GGA00116425
- 19 GG900108016Z
- 20 GG907008017Z
- 23 GG905400008
- 24 BG025410
- 25 GGA00106530
- 26 GGA00G10051
- 27 GGA002002050
- 28 BG023178
- 29 GG019717032X
- 30 GGA00117530
- 31 GGA002502050
- 32 GG680001042
- 32 GG680001052
- 33 GGA001302050
- 34 GG600206162
- 35 GGA00230551
- 36 GGA004542135
- 37 GG900108025Z
- 38 BG020330
- 41 GGA002402065
- 42 GGA00106640
- 43 GGA002002060
- 44 GG561001000
- 45 BG019266
- 47 GGA002502021S
- 48 GGA00205020
- 49 GGA00G40002
- 50 BG023130
- 51 GG680001026
- 52 GGA00116210
- 53 GGA002002020
- 54 BG019117

F=10 L=40
F=8 L=40

MIXER 30 L



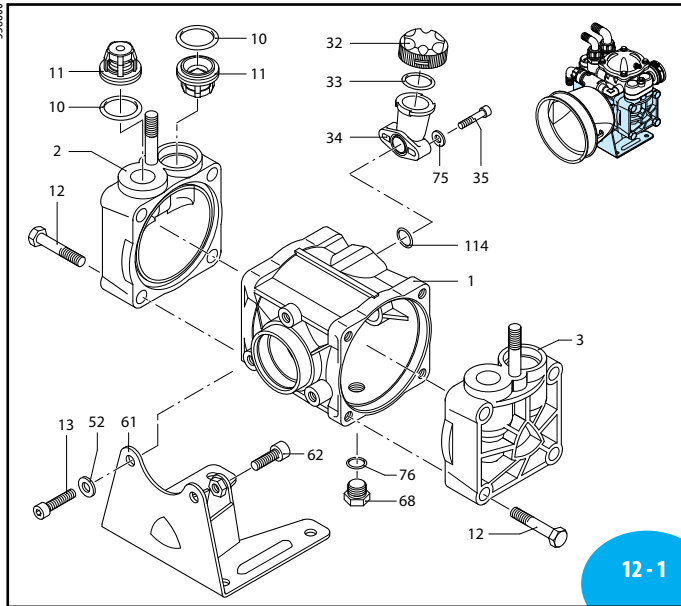
59	GG550110011
60	BG027231
61	GGA002502061S
62	GGA00116640
63	GGA002052060
64	GGA00G40006
65	GG900508022Z
68	GGA00504015
69	BG020958
70	GGA002452032
71	GGA00G40015

D=40

ANNOVIREVERBERI

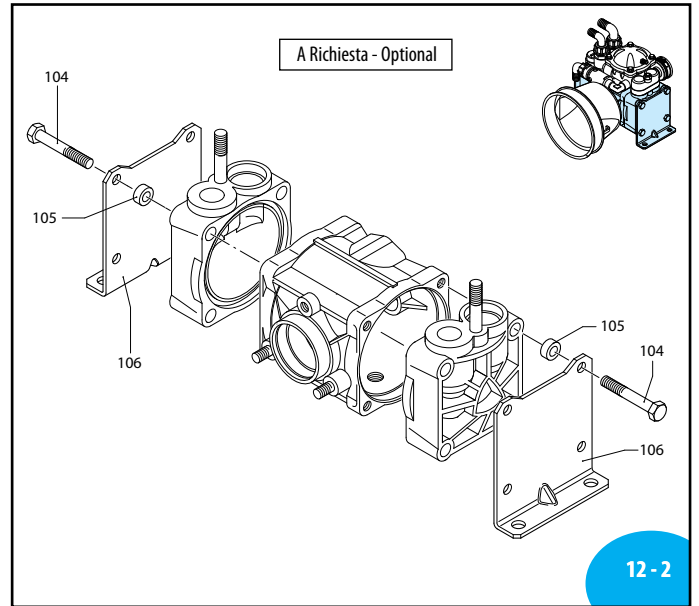
AR 70 bp

558600



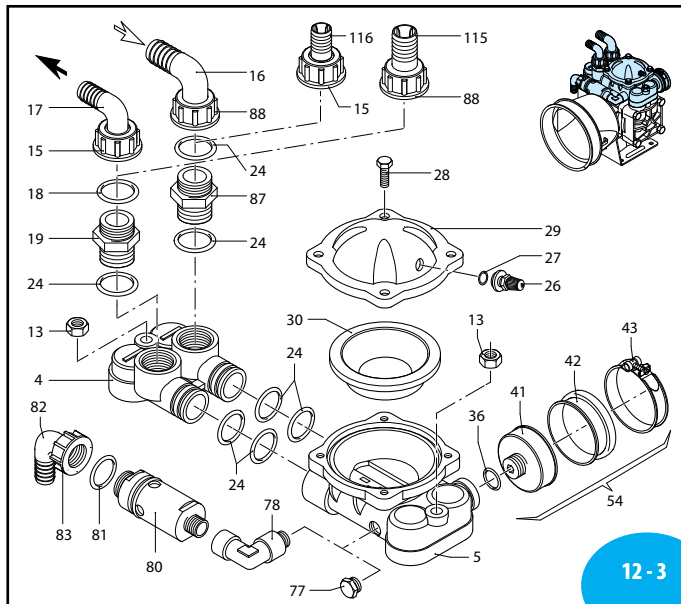
12-1

SLO00310-BU



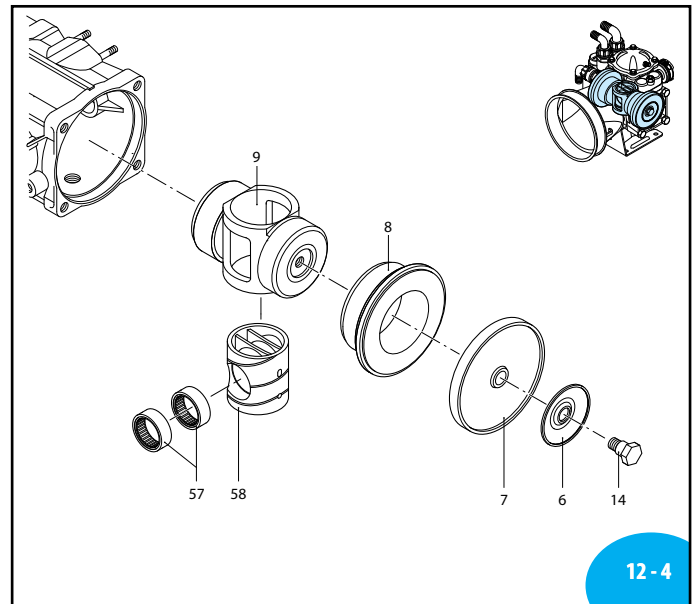
12-2

UN000796-ED



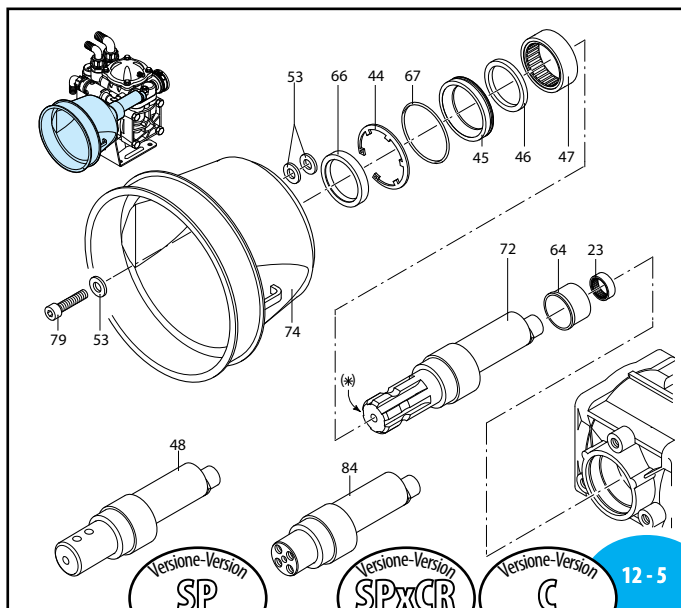
12-3

SLO00311-BU



12-4

UN000478-DD



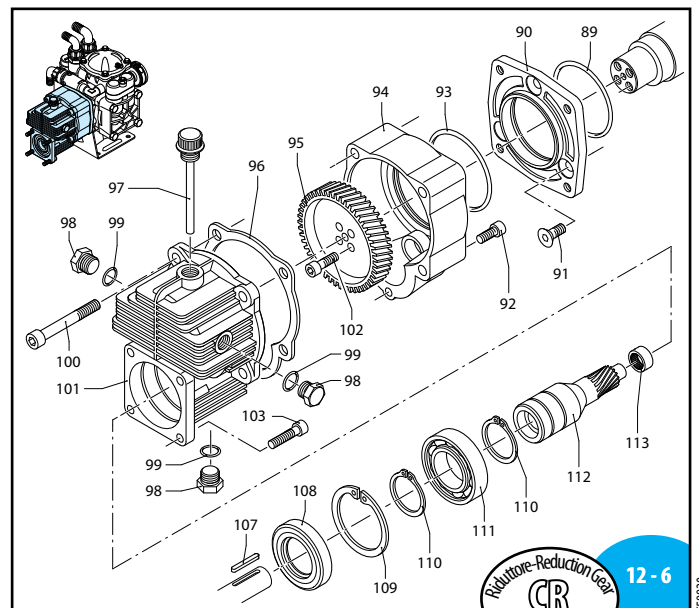
12-5

UN000477-DD

Versione-Version
SP

Versione-Version
SPxCR

Versione-Version
C



12-6

UN000479-IC

Reduttore-Reduction Gear
CR

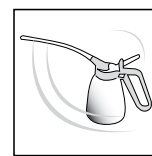
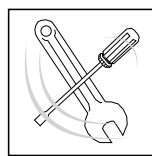
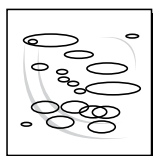
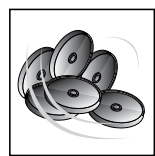
AR 70 bp

Pos.	Cod.	Descrizione	Description	Q.ty	Note
1	550011	Corpo pompa	Pump body	1	
2	550101	Testa valvola DX	Right head	1	
3	550102	Testa valvola SX	Left head	1	
4	550150	Attacco	Manifold	1	
5	550180	Semisfera inferiore	Lower air chamber	1	
6	580370	Piattello	Plate	2	(a)
	550080	Membrana	Diaphragm	2	Gomma
	550084	Membrana	Diaphragm	2	Viton
	550085	Membrana	Diaphragm	2	Desmopan
	550086	Membrana	Diaphragm	2	Hpds
8	550110	Camicia	Sleeve	2	
9	550120	Pistone	Piston	1	
10	320030	OR ø 31,5x4,5	O-Ring	4	90Sh ☒
11	759051	Valvola completa	Complete valve	4	
12	551040	Vite TE M 10x55	Bolt	8	Geomet C ₄₀
13	180152	Dado M 10	Nut	2	Geomet C ₄₀
14	580360	Perno membrana	Diaphragm pin	2	● C ₃₀
15	550880	Girello 1" G	Ring nut	1	
16	580040	Curva ø 30	Elbow	1	
17	550370	Curva ø 25	Elbow	1	
18	550350	OR ø 23,81x2,62	O-Ring	1	☒
19	550340	Nipples 1"G(M)-1"G(M)	Threaded adapter	1	
23	550310	Boccola a rullini	Roller bushing	1	↓
24	390290	OR ø 29x3	O-Ring	7	☒
26	550300	Valvola di gonfiaggio	Air valve	1	C ₃
27	650542	Guarnizione	Gasket	1	
28	550680	Vite TE M 8x20	Bolt	4	C ₂₀
29	550233	Semisfera superiore	Upper air chamber	1	Nera / Black
	550190	Semicamera aria	Semi air chamber	1	Gomma
	550191	Semicamera aria	Semi air chamber	1	Saturflon
	550192	Semicamera aria	Semi air chamber	1	Viton
	550193	Semicamera aria	Semi air chamber	1	H.P.D.S.
32	550057	Tappo serbatoio olio	Oil tank cap	1	Nero / Black
33	550040	OR ø 26,65x2,62	O-Ring	1	
34	550030	Serbatoio olio	Oil tank	1	
35	850851	Vite TCEI M 6x30	Bolt	2	C ₁₀
36	180101	OR ø 17,5x2	O-Ring	1	●
41	650661	Porta membrana	Diaphragm holder	1	●
42	650670	Membranina asp.	Suction diaphragm	1	
43	651670	Fascetta	Clamp	1	
44	200391	Anello seeger	Circlip	1	
45	550470	Bussola anello tenuta	Gasket retainer	1	
46	550070	Rondella tenuta	Spacer ring	1	
47	550060	Boccola a rullini	Roller bushing	1	↓
48	550170	Albero eccentrico "SP"	"SP" shaft	1	(AL)
52	200233	Rosetta øi 10,5	Washer	2	Geomet
53	320621	Rosetta øi 10,5	Washer	5	Geomet
54	659209	Prem. membranina asp.	Suct. diaphragm assembly	1	
57	550280	Boccola a rullini	Roller bushing	2	↓
58	550140	Cilindro traina pistone	Cylinder	1	☒

Pos.	Cod.	Descrizione	Description	Q.ty	Note
61	580080	Piede corpo pompa	Base	1	
62	540301	Vite TCEI M 10x30	Bolt	1	Geomet C ₄₀
64	550160	Distanziale	Spacer	1	
66	550491	Anello tenuta	Seal ring	1	☒
67	650920	OR ø 53,65x2,62	O-Ring	1	☒
68	880530	Tappo 3/8" G	Plug	1	C ₂₀
72	550173	Albero eccentrico "C"	"C" shaft	1	(AM)
74	1500350	Protezione cardano	Cardan protection	1	
75	550332	Rosetta øi 6,5	Washer	2	Geomet
76	740290	OR ø 14x1,78	O-Ring	1	▶
77	330173	Tappo 1/2" G	Plug	1	● C ₂₀
78	881560	Gomito 90° 1/2" G (M)-(F)	Elbow	1	■
79	620472	Vite TCEI M 10x20	Bolt	3	Geomet C ₃₀
80	1609000	Valvola di sicurezza	Safety valve	1	■
81	880831	OR ø 15,54x2,62	O-Ring	1	Viton
82	550460	Curva ø 18	Elbow	1	
83	550450	Girello 3/4" G	Ring nut	1	
84	550175	Albero eccentric. "CRxS"	"CRxS" shaft	1	(AN)
87	450120	Nipples 1"-1"1/4 G (M)-(M)	Threaded adapter	1	
88	550870	Girello 1"1/4 G	Ring nut	1	
89	580230	OR ø 69,52x2,62	O-Ring	1	▶
90	550920	Flangia	Flange	1	
91	550950	Vite TSEI M 10x25	Bolt	3	● C ₂₀
92	180030	Vite TCEI M 8x20	Bolt	1	C ₂₅
93	620561	OR ø 78x2,5	O-Ring	1	☒
94	621000	Coperchio riduttore	Gear cap	1	
95	550930	Ruota dentata	Gear	1	Z=64
96	620950	Guarnizione scatola	Gasket	1	
97	1140370	Tappo olio + OR	Oil plug & o-ring	1	
98	1980740	Tappo 3/8" G	Plug	3	Ottone/Brass ● C ₂₀
99	740290	OR ø 14x1,78	O-Ring	3	
100	621010	Vite TCEI M 10x75	Bolt	4	● C ₂₅
101	620960	Scatola riduttore	Gear box	1	
102	540290	Vite TCEI M 8x25	Bolt	4	● C ₂₅
103	651000	Vite TCEI 5/16"	Bolt	4	24UNFx1" C ₂₀
104	1300361	Vite TE M 10x65	Bolt	8	Geomet C ₄₀
105	551030	Distanziale piede	Spacer	8	
106	551020	Piede	Base	2	
107	881090	Linguetta	Key	1	
108	961800	Anello tenuta	Seal ring	1	☒
109	961790	Anello seeger	Circlip	1	
110	320240	Anello seeger	Circlip	2	
111	961780	Cuscinetto	Bearing	1	☒
112	621660	Pignone	Pinion	1	Z=11
113	620990	Cuscinetto	Bearing	1	☒
114	180101	OR ø 17,5x2	O-Ring	1	▶
115	550210	Portagomma ø 25	Hose tail	1	
116	392190	Portagomma ø 40	Hose tail	1	

Bassa Pressione
Low Pressure

1532 C10455MG



KIT 2361	
Membrane gomma Buna diaphragms	
KIT 2362	
Membrane HPDS HPDS diaphragms	
KIT 2363	
Membrane Desmopan Desmopan diaphragms	
Pos.	Q.ty
7	2

KIT 2364	
Valvole Valves	
Pos.	Q.ty
10	4
11	4

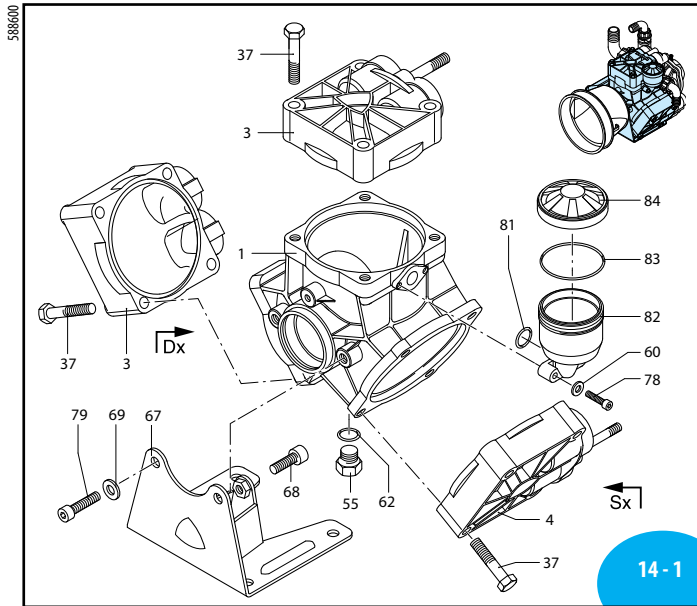
KIT 2365	
OR O-Rings	
Pos.	Q.ty
10	4
18	1
24	7
27	1
33	1
36	1
67	1
76	1

KIT 2366					
Pronto intervento membrane in gomma					
Maintenance repair buna diaphragm					
Pos.	Q.ty	Pos.	Q.ty	Pos.	Q.ty
6	1	24	7		
7	2	32	1		
10	4	33	1		
11	4	34	1		
14	1	36	1		
15	1	66	1		
16	1	87	1		
17	1	88	1		
18	1				
19	1				

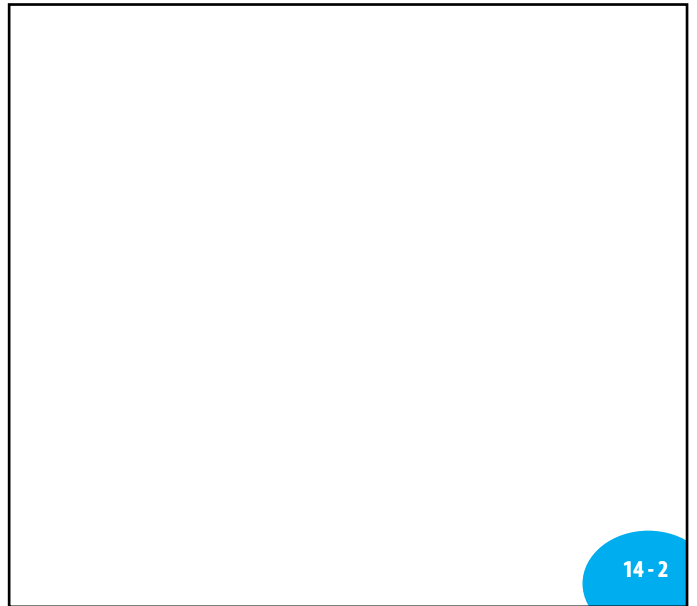
Olio utilizzato	
Used oil	
Tipo - Type	Kg
Pompa-Pump SAE 30	1
Ridut.-Gear box SAE 30	0,26

(a) Montare con GRASSO PG 54 fra piattello e membrana
(a) During assembling use PG 54 GREASE between plate and diaphragm

AR 115 bp - AR 135 bp - AR 115 bp/1000 giri-rpm

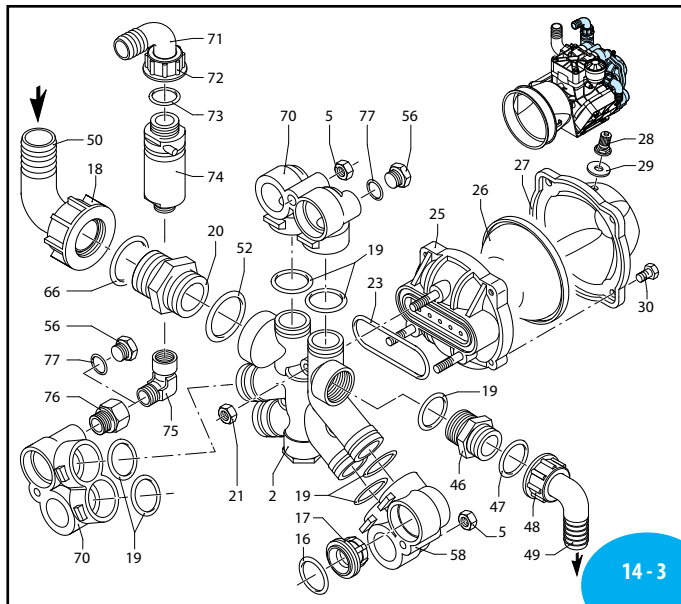


14 - 1

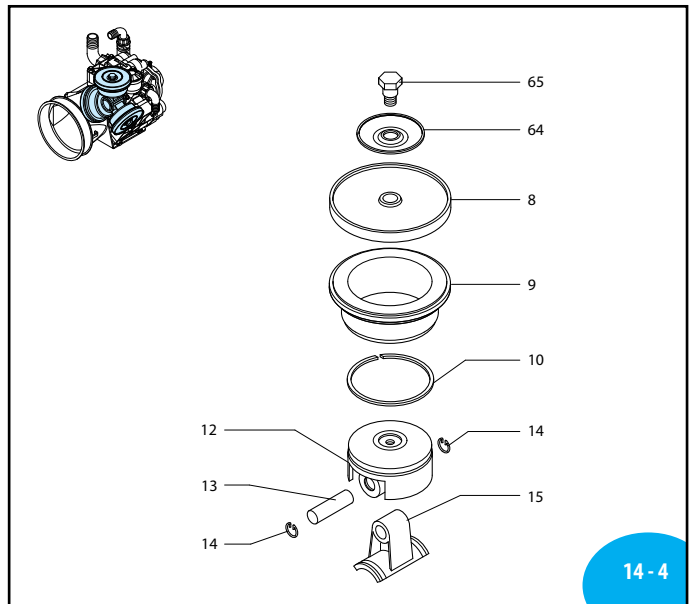


14 - 2

SL000061-EZ



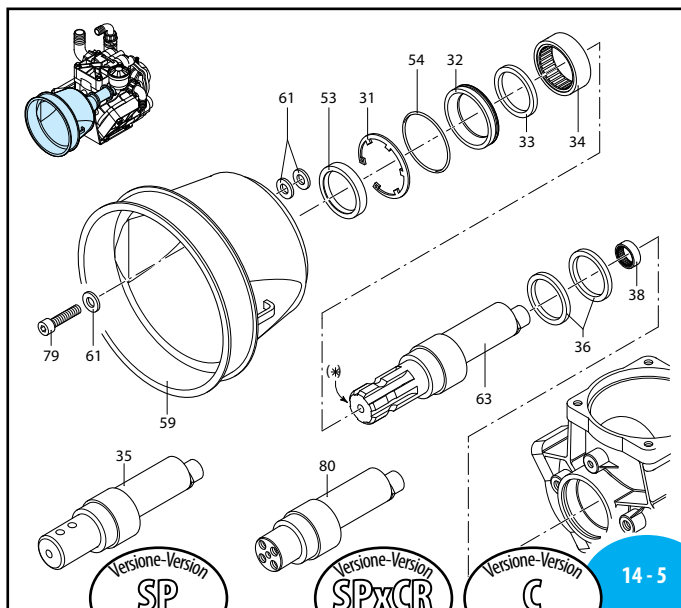
14 - 3



14 - 4

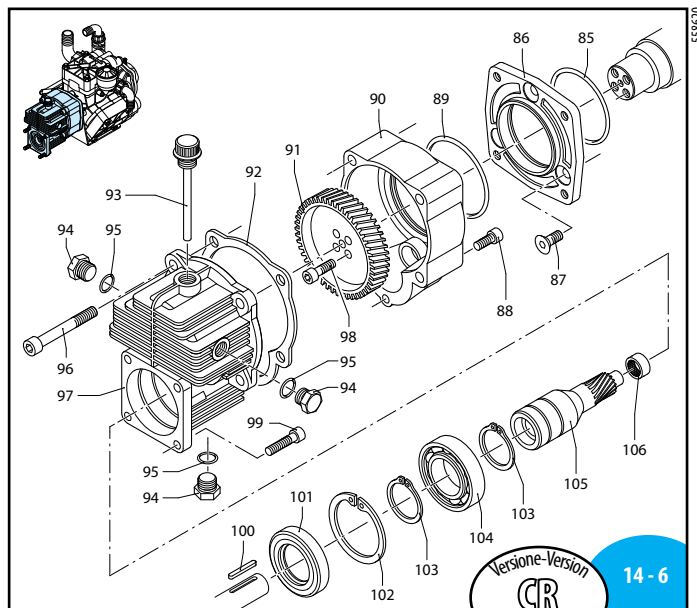
SL000062-EZ

UN990004-IB



14 - 5

UN990002-IB



14 - 6

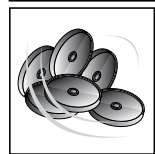
UN980017-IC

AR 115 bp - AR 135 bp - AR 115 bp/1000 giri-rpm

Pos.	Cod.	Descrizione	Description	Q.ty	Note
1	580013	Corpo pompa	Pump body	1	
2	580150	Condotto mand.- asp.	Manifold line	1	
3	550101	Testa valvola DX	Right head	2	
4	550102	Testa valvola SX	Left head	1	
5	180152	Dado M 10	Nut	3	Geomet C ₄₀
	550080	Membrana	Diaphragm	3	Gomma
	550084	Membrana	Diaphragm	3	Viton
	550085	Membrana	Diaphragm	3	Desmopan
	550086	Membrana	Diaphragm	3	H.P.D.S.
	580110	Camicia	Sleeve	3	AR 115 bp
	580350	Camicia	Sleeve	3	AR 135 bp
10	500260	Segmento	Piston ring	3	
12	580120	Pistone	Piston	3	
13	380300	Spinotto	Pin	3	☒
14	380080	Anellino spinotto	Pin ring	6	
15	580140	Biella	Connecting rod	3	
16	320030	OR ø 31,5x4,5	O-Ring	6	90 Sh ☒
17	759051	Valvola completa	Complete valve	6	
18	540541	Girello 1" 3/4 G spec.	Ring nut	1	
19	390291	OR ø 28,25x2,62	O-Ring	7	☒
20	540530	Nipples 1"1/4-1"3/4 G (M)	Threaded adapter	1	
21	390271	Dado M 8	Nut	3	Geomet C ₂₀
23	580050	Guarnizione	Gasket	1	☒
25	580180	Semisfera inferiore	Lower air chamber	1	
	550190	Semicamera aria	Semi air chamber	1	Gomma
	550191	Semicamera aria	Semi air chamber	1	Saturflon
	550192	Semicamera aria	Semi air chamber	1	Viton
	550193	Semicamera aria	Semi air chamber	1	H.P.D.S.
27	550233	Semisfera superiore	Upper air chamber	1	Nera / Black
28	550300	Valvola di gonfiaggio	Air-valve	1	C ₃
29	650542	Guarnizione	Gasket	1	
30	550680	Vite TE M 8x20	Bolt	4	C ₂₀
31	200391	Anello seeger	Circlip	1	
32	550470	Bussola anello tenuta	Gasket retainer	1	
33	550070	Rondella tenuta	Spacer ring	1	
34	550060	Boccola a rullini	Roller bushing	1	↓
	550170	Albero eccentrico "SP"	"SP" shaft	1	AR 115 bp (AL)
	580380	Albero eccentrico "SP"	"SP" shaft	1	AR 135 bp (AT)
36	580470	Anello biella	Con rod ring	2	☒
37	551040	Vite TE M 10x55	Bolt	12	Geomet C ₄₀
38	550310	Boccola a rullini	Roller bushing	1	↓
46	550340	Nipples 1"G(M)-1"G(M)	Threaded adapter	1	
47	550350	OR ø 23,81x2,62	O-Ring	1	☒
48	550242	Girello 1" G	Ring nut	1	
49	550370	Curva ø 25	Elbow	1	
50	540550	Curva ø 40	Elbow	1	
52	250310	OR ø 36,14x2,62	O-Ring	1	☒
53	550491	Anello tenuta	Seal ring	1	☒
54	650920	OR ø 53,65x2,62	O-Ring	1	☒
55	880530	Tappo 3/8" G	Plug	1	C ₂₀
56	330173	Tappo 1/2" G	Plug	2	Geomet C ₂₀
58	580072	Attacco asp. mand. SX	Left manifold coupling	1	

Pos.	Cod.	Descrizione	Description	Q.ty	Note
59	1500350	Protezione cardano	Cardan protection	1	
60	550332	Rosetta øi 6,5	Washer	2	Geomet
61	320621	Rosetta øi 10,5	Washer	5	Geomet
62	740290	OR ø 14x1,78	O-Ring	1	▶
	550173	Albero eccentrico "C"	"C" shaft	1	AR 115 bp (AM)
	580330	Albero eccentrico "C"	"C" shaft	1	AR 135 bp (AS)
64	580370	Piattello	Plate	3	
65	580360	Perno membrana	Diaphragm pin	3	● C ₂₀
66	250310	OR ø 36,14x2,62	O-Ring	1	☒
67	580080	Piede corpo pompa	Base	1	
68	540301	Vite TCEI M 10x30	Bolt	1	Geomet C ₄₀
69	200233	Rosetta øi 10,5	Washer	2	Geomet
70	580400	Attacco DX forato	Right man.coup.-outlet	2	
71	550460	Curva ø 18	Elbow	1	
72	550450	Girello 3/4" G	Ring nut	1	
73	880831	OR ø 15,54x2,62	O-Ring	1	Viton
74	1609000	Valvola di sicurezza	Safety valve	1	■
75	881560	Gomito 90° 1/2"G (M)-(F)	Elbow	1	■
76	580421	Prolunga (M)-(F) 1/2"G	Extension	1	C ₂₀
77	180101	OR ø 17,5x2	O-Ring	2	▶
78	850851	Vite TCEI M 6x30	Bolt	2	Geomet C ₁₀
79	620472	Vite TCEI M 10x20	Bolt	3	Geomet C ₃₀
	550175	Albero eccentric. "SPxCR"	"SPxCR" shaft	1	AR 115 bp (AN)
	580430	Albero eccentric. "SPxCR"	"SPxCR" shaft	1	AR 135 bp (AX)
81	390180	OR ø 18,72x2,62	O-Ring	1	▶
82	1040310	Serbatoio olio	Oil tank	1	
83	650920	OR ø 53,65x2,62	O-Ring	1	
	1040322	Tappo serbatoio nero	Black oil tank cap	1	AR 115 bp
	1040320	Tappo serbatoio rosso	Red oil tank cap	1	AR 135 bp
85	580230	OR ø 69,52x2,62	O-Ring	1	
86	550920	Flangia	Flange	1	
87	550950	Vite TSEI M 10x25	Bolt	3	C ₂₀
88	180030	Vite TCEI M 8x20	Bolt	1	C ₂₅
89	620561	OR ø 78x2,5	O-Ring	1	☒
90	621000	Coperchio riduttore	Gear cap	1	
91	550930	Ruota dentata	Gear	1	Z= 64
92	620950	Guarnizione scatola	Gasket	1	
93	1140370	Tappo olio + OR	Oil plug & o-ring	1	
94	1980740	Tappo 3/8" G	Plug	3	Ottone/Brass ● C ₂₀
95	740290	OR ø 14x1,78	O-Ring	3	
96	621010	Vite TCEI M 10x75	Bolt	4	● C ₂₅
97	620960	Scatola riduttore	Gear box	1	
98	540290	Vite TCEI M 8x25	Bolt	4	● C ₂₅
99	651000	Vite TCEI 5/16"	Bolt	4	5/16"x24UNFx1"
100	881090	Linguetta	Key	1	
101	961800	Anello tenuta	Seal ring	1	☒
102	961790	Anello seeger	Circlip	1	
103	320240	Anello seeger	Circlip	2	
104	961780	Cuscinetto	Bearing	1	☒
105	621660	Pignone	Pinion	1	Z= 11
106	620990	Cuscinetto	Bearing	1	

Bassa Pressione
Low Pressure



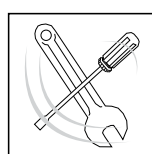
KIT 2367	
Membrane gomma Buna diaphragms	
KIT 2368	
Membrane HPDS HPDS diaphragms	
KIT 2369	
Membrane Desmopan Desmopan diaphragms	
Pos.	Q.ty
8	3



KIT 2370	
Valvole Valves	
Pos.	Q.ty
16	6
17	6



KIT 2026	
OR O-Rings	
Pos.	Q.ty
16	6
19	7
29	1
47	1
52	1
54	1
66	1
81	1
83	1

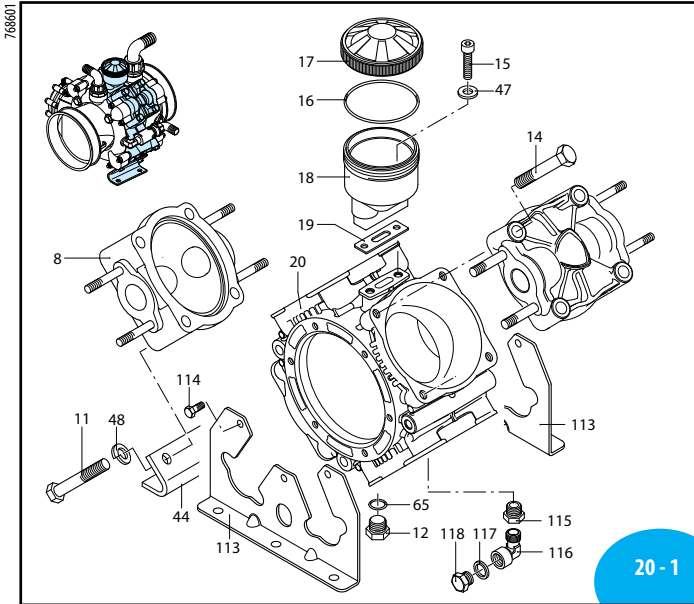


KIT 2025					
Pronto intervento Maintenance repair					
Pos.	Q.ty	Pos.	Q.ty	Pos.	Q.ty
8	3	46	1	81	1
16	6	47	1	82	1
17	6	48	1	83	1
18	1	49	1	84	1
19	7	50	1		
20	1	53	1		
23	1	54	1		
26	1	64	1		
29	1	65	1		

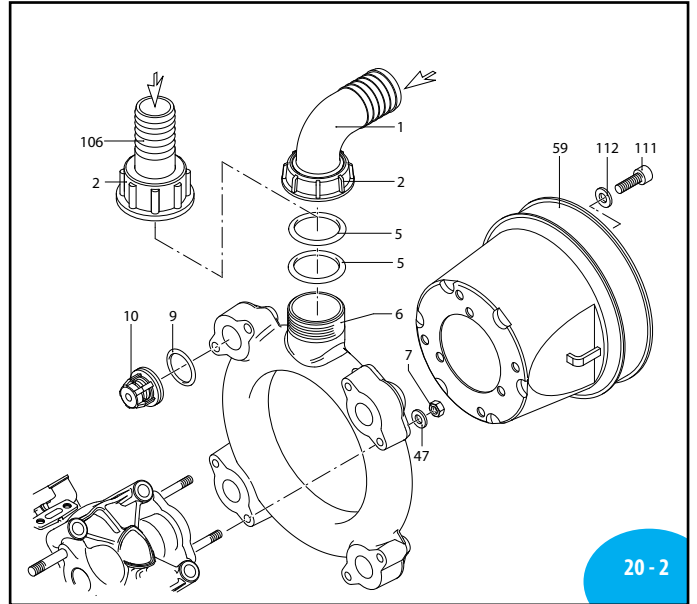


Olio utilizzato	
Used oil	
Tipo - Type	Kg
Pompa-Pump SAE 30	1
Ridut. - Gear box SAE 30	0,26

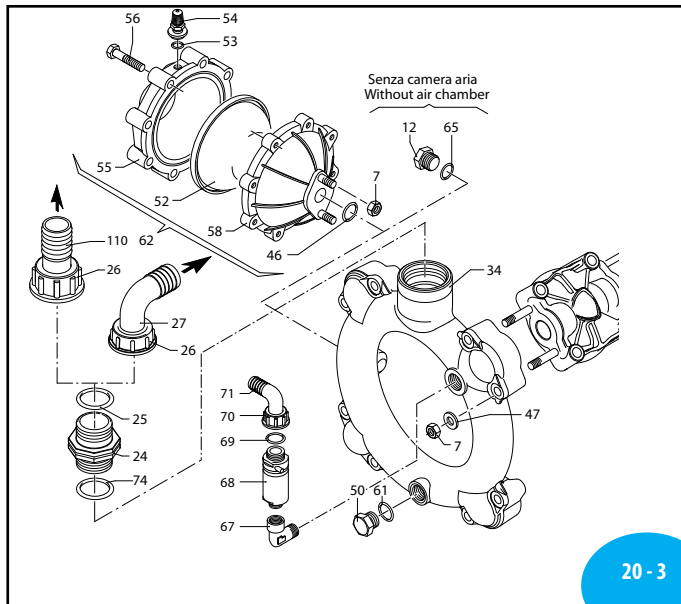
AR 160 bp - AR 185 bp



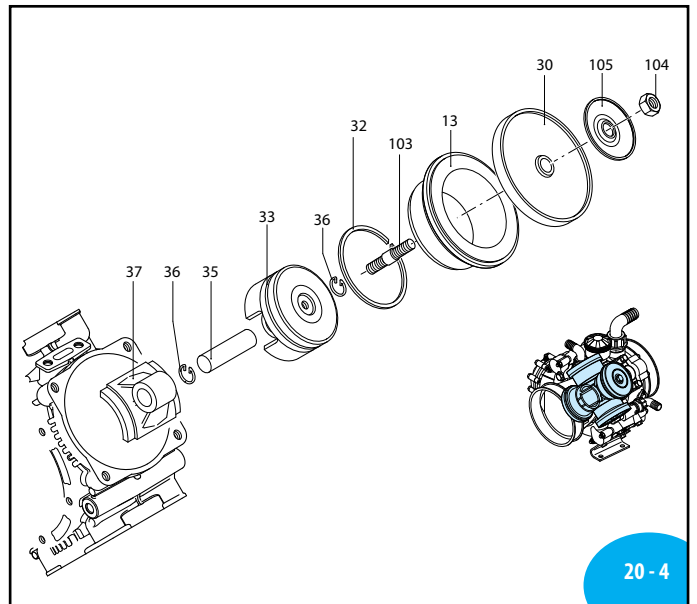
SLO00209-AU



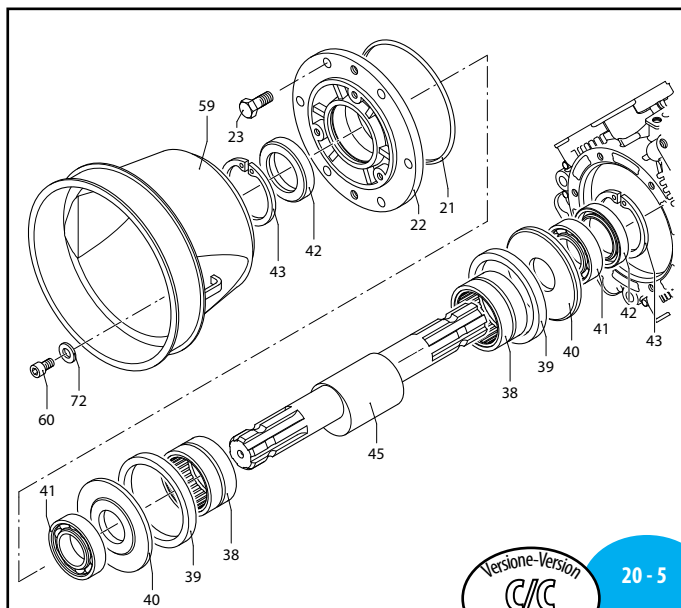
SLO00155-DV



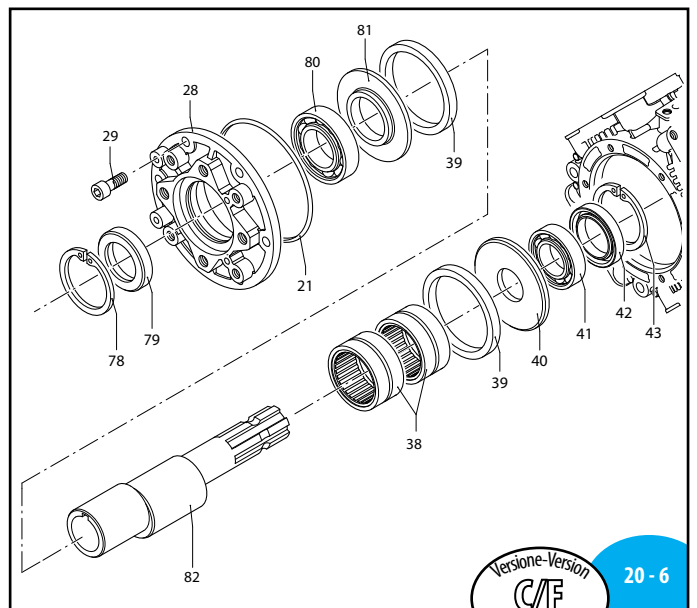
SLO00156-DV



SLO00208-AU



UN000714-IB



UN000715-IB

AR 160 bp - AR 185 bp

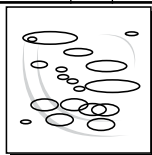
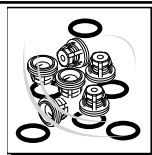
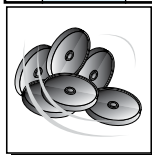
sp_ar1160_185bp.pdf

Pos.	Cod.	Descrizione	Description	Q.ty	Note
1	3040430	Curva Ø 40	Elbow	1	AR 160 bp
	3040440	Curva Ø 50	Elbow	1	AR 185 bp
2	3040450	Girello 2" G	Ring nut	1	
5	3040470	Guarnizione OR Ø 39,3x2,6	O-ring	2	☒
6	760750	Condotto aspirazione	Line	1	
7	380242	Dado M8	Nut	18	Geomet C ₂₀
	380244	Dado M8	Nut	18	Inox C ₂₀
8	751350	Testa plastificata	Head	4	
	751352	Testa plastificata	Head	4	Inox
9	680070	Guarnizione OR Ø 31,5x4,25	O-ring	8	☒
10	759051	Valvola	Valve	8	
11	750071	Vite TE M12x70	Screw	4	Geomet C ₅₀
	750072	Vite TE M12x70	Screw	4	Inox C ₅₀
12	880530	Tappo 3/8" G	Plug	2	☒ C ₂₀
	2340350	Tappo 3/8" G	Plug	2	Inox ☒ C ₂₀
13	750110	Camicia	Sleeve	4	AR 160 bp
	750115	Camicia	Sleeve	4	AR 185 bp
14	750061	Vite TE M12x65	Screw	12	Geomet C ₅₀
	750062	Vite TE M12x65	Screw	12	Inox C ₅₀
15	680350	Vite TCEI M8x35	Screw	2	C ₁₀
16	1040060	Guarnizione OR Ø 72,69x2,62	O-ring	1	
17	750057	Tappo nero	Plug	1	AR 160 bp
	750052	Tappo rosso	Plug	1	AR 185 bp
18	750030	Serbatoio	Tank	1	
19	750040	Guarnizione	Gasket	1	☒
20	761010	Corpo pompa	Pump body	1	
21	851360	Guarnizione OR Ø 120,32x2,62	O-ring	1	☒
22	680020	Supporto	Support	1	☒
23	160672	Vite TE M10x25	Screw	6	Geomet C ₄₀ ☒
	160673	Vite TE M10x25	Screw	6	Inox C ₄₀ ☒
24	751130	Raccordo 1"1/2 G M-M	Fitting	1	
25	390290	Guarnizione OR Ø 29x3	O-ring	1	☒
26	750670	Girello 1" 1/2 G	Ring nut	1	
27	760930	Curva Ø 25	Elbow	1	AR 160 bp
	3040160	Curva Ø 35	Elbow	1	AR 185 bp
28	2420181	Supporto	Support	1	☒
29	650640	Vite TCEI M10x25	Screw	6	Geomet C ₄₀
	650642	Vite TCEI M10x25	Screw	6	Inox C ₄₀
30	550080	Membrana	Diaphragm	4	NBR
	550084	Membrana	Diaphragm	4	Viton
	550085	Membrana	Diaphragm	4	Desmopan
	550086	Membrana	Diaphragm	4	HPDS
32	500260	Segmento	Piston ring	4	
33	750122	Pistone Ø 80	Piston	4	
34	760760	Condotto mandata	Line	1	
35	160700	Spina	Pin	4	☒
36	160691	Anello seeger Øi 18	Ring	8	
37	760140	Biella	Connecting-rod	4	
38	750090	Cuscinetto	Bearing	2	
39	750130	Anello biella	Ring	2	☒
40	540040	Piastra	Plate	2	
41	230350	Cuscinetto	Bearing	2	↓
42	160740	Anello tenuta	Ring	2	☒
43	200390	Anello seeger Øi 62	Ring	2	
44	760201	Piede	Foot	2	
45	750170	Albero C/C m-AU	Shaft	1	AR 160 bp
	750174	Albero C/C m-AV	Shaft	1	AR 185 bp
46	390290	Guarnizione OR Ø 29x3	O-ring	1	☒

Pos.	Cod.	Descrizione	Description	Q.ty	Note
47	380243	Rondella	Washer	18	Geomet
	390315	Rondella	Washer	18	Inox
48	250143	Rondella	Washer	4	Geomet
	250144	Rondella	Washer	4	Inox
50	330173	Tappo 1/2" G	Plug	1	Geomet ☒ C ₂₀
	330174	Tappo 1/2" G	Plug	1	Inox ☒ C ₂₀
52	550190	Semicamera aria	Semi air chamber	1	NBR
	550191	Semicamera aria	Semi air chamber	1	Saturflon
	550192	Semicamera aria	Semi air chamber	1	Viton
	550193	Semicamera aria	Semi air chamber	1	HPDS
53	650542	Guarnizione	Gasket	1	
54	180020	Valvola di gonfiaggio	Air valve	1	C ₃
55	620232	Semicamera aria superiore	Semi air chamber	1	Nera
56	621781	Vite TE M8x40	Screw	8	Geomet C ₂₀
	621782	Vite TE M8x40	Screw	8	Inox C ₂₀
58	680180	Semisfera inferiore	Halfball	1	
59	1500470	Protezione cardano	Cardan protection	2	
60	850251	Vite TCEI M8x12	Screw	3	Geomet C ₂₀
	850252	Vite TCEI M8x12	Screw	3	Inox C ₂₀
61	180101	Guarnizione OR Ø 17,5x2	O-ring	1	
62	1552	Camera aria completa	Air chamber	1	
65	740290	Guarnizione OR Ø 14x1,78	O-ring	2	
67	881560	Raccordo 1/2" G M-F	Fitting	1	☒
68	1609000	Valvola di sicurezza	Safety valve	1	☒
69	880831	Guarnizione OR Ø 15,54x2,62	O-ring	1	Viton
70	550450	Girello 3/4" G	Ring nut	1	
71	550460	Curva Ø 18	Elbow	1	
72	390314	Rondella	Washer	3	Geomet
	390315	Rondella	Washer	3	Inox
74	751140	Guarnizione OR Ø 47,22x3,53	O-ring	1	☒
78	620330	Anello seeger Øi 65	Ring	1	
79	1800090	Anello tenuta	Ring	1	☒
80	230310	Cuscinetto	Bearing	1	↓
81	760510	Piastra	Plate	1	
82	760450	Albero C/F Ø25 m-BX	Shaft	1	AR 160 bp
	760520	Albero C/F Ø32 m-BS	Shaft	1	AR 160 bp
	760460	Albero C/F Ø25 m-BZ	Shaft	1	AR 185 bp
	760530	Albero C/F Ø32 m-BT	Shaft	1	AR 185 bp
103	2240100	Perno	Hub pin	4	☒ C ₃₅
104	2240110	Dado M10	Nut	4	Inox ☒ C ₃₀
105	751250	Piattello	Wobble plate	4	
106	760950	Portagomma Ø 40	Hose tail	1	AR 160 bp
	760570	Portagomma Ø 50	Hose tail	1	AR 185 bp
	760920	Portagomma Ø 25	Hose tail	1	AR 160 bp
110	760940	Portagomma Ø 35	Hose tail	1	AR 185 bp
	820673	Vite TCEI M10x16	Screw	3	Geomet
111	820672	Vite TCEI M10x16	Screw	3	Inox
112	320621	Rondella 10.5x21x2	Washer	3	Geomet
	320622	Rondella 10.5x21x2	Washer	3	Inox
113	761030	Piede	Foot	2	
114	160672	Vite TE M10x25	Screw	6	Geomet ☒ C ₂₀
	160673	Vite TE M10x25	Screw	6	Inox ☒ C ₂₀
115	1040491	Raccordo 3/8" M-F	Fitting	1	☒
116	900210	Raccordo 3/8" G M-F	Fitting	1	☒
117	2260200	Rondella	Washer	1	
118	2281270	Tappo 3/8" G	Plug	1	☒ C ₂₀

Bassa Pressione
Low Pressure

Nuove test. C.I. 0478MG



KIT 2371	
Membrane gomma Buna diaphragms	
KIT 2372	
Membrane HPDS HPDS diaphragms	
KIT 2373	
Membrane Desmopan Desmopan diaphragms	
Pos.	Q.ty
30	4

KIT 2374	
Valvole Valves	
Pos.	Q.ty
9	8
10	8

KIT 42510			
OR O-Rings			
Pos.	Q.ty	Pos.	Q.ty
5	2	69	1
9	8	74	1
16	1		
21	1		
25	1		
46	1		
53	1		
61	1		
65	2		

KIT 42511 - AR 160 bp					
Pronto intervento Maintenance repair					
Pos.	Q.ty	Pos.	Q.ty	Pos.	Q.ty
1	1	21	1	61	1
2	1	24	1	65	2
5	2	25	1	69	1
9	8	26	1	74	1
10	8	27	1	103	4
16	1	30	4	104	4
17	1	42	2	105	4
18	1	46	1		
19	1	52	1		

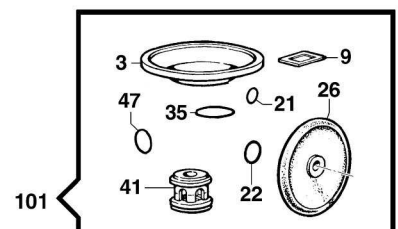
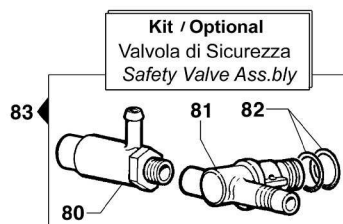
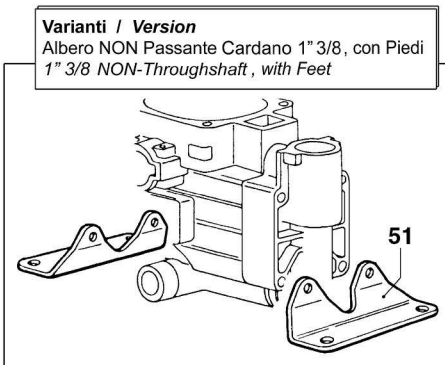
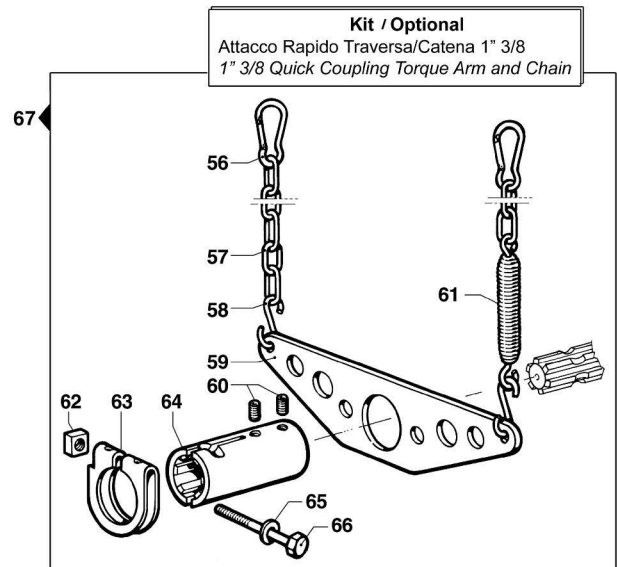
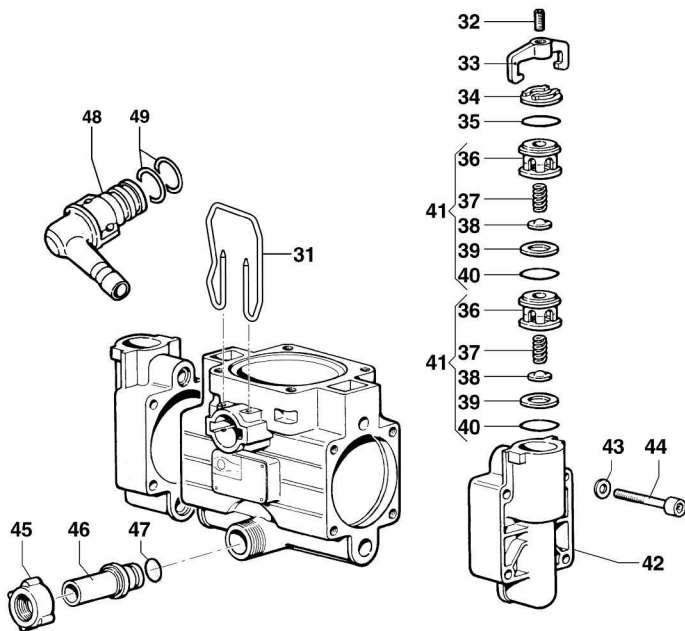
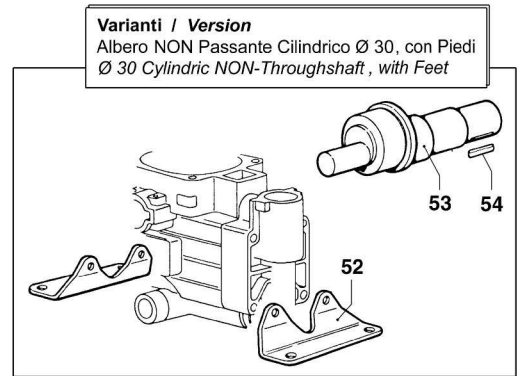
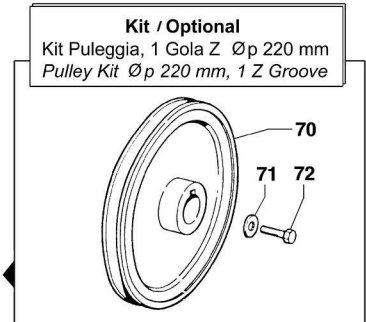
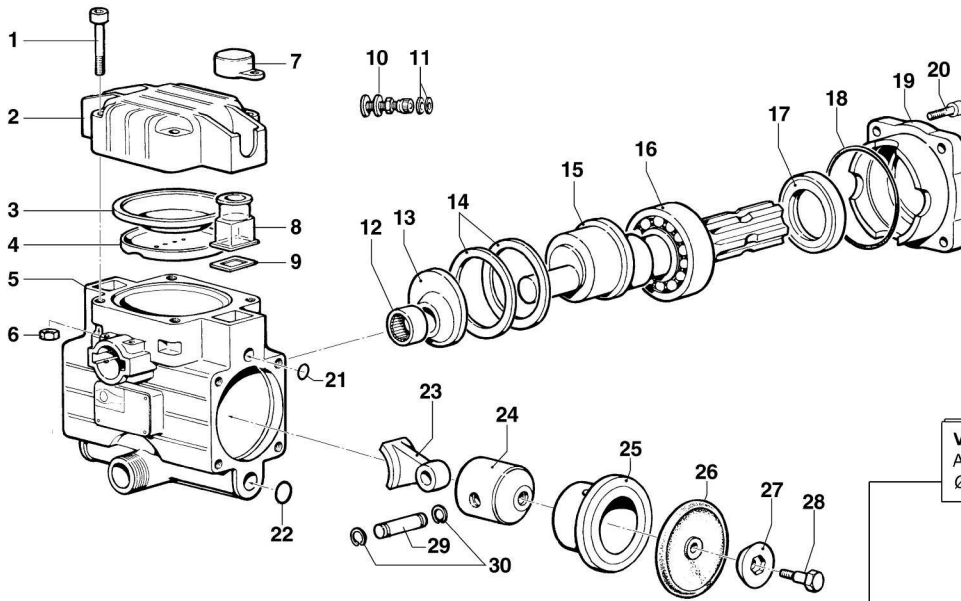
Olio utilizzato	
Used oil	
Tipo - Type	Kg
SAE 30	1,4

BP Series

BP 20/15

Pompe a Membrana - Diaphragm Pumps

550 RPM



Pompa Base
Standard Pump

Albero NON Passante 1"3/8M
1"3/8M NON-Throughshaft

BP 20/15

550 RPM

N°	Cod.	Descrizione	Description	Note	Qty	Model
1	3609 0192	Vite	Screw	M10x50	4	
2	0003 0025	Accumulatore Press. Sup.	Pressure Accumulator		1	
3	1800 0033	Membrana Accumulatore	Diaphragm		1	
4	0460 0011	Calotta Sost. Membrana	Diaphragm Support Cap		1	
5	0403 0083	Carter Pompa	Pump Crankcase		1	
6	0604 0105	Dado	Nut	M10	4	
7	1800 0081	Membrana Comp. Volum.	Volum. Comp. Diaphragm		2	
8	0421 0013	Compensatore Volumetrico	Volumetric Compensator		2	
9	1201 0071	Guarnizione Piana	Flat Gasket		2	
10	3610 0003	Valvola Aria	Air Valve		1	
11	1209 0033	Guarnizione	Gasket	Ø14x7,5x2	2	
12	0437 0026	Cuscinetto Rulli	Roller Bearing	Ø20x26x20	1	
13	2813 0063	Rondella Tenuta Biella	Connecting Rod Washer	Ø62x20x14,5	1	
14	0010 0008	Anello Tenuta Biella	Connecting Rod Ring	Ø68x55x6	2	
15	0001 0245	Albero Non Passante	NON-Throughshaft	1"3/8	1	
16	0438 0010	Cuscinetto a Sfere	Ball Bearing	Ø35x72x17	1	
17	0019 0075	Anello Tenuta	Oil Seal	Ø35x62x7	1	
18	1210 0069	Guarnizione OR	O-Ring	Ø1,8x83	1	
19	0405 0063	Coperchio porta Cusc.	Support Cover		1	
20	3609 0202	Vite	Screw	M10x35	4	
21	1210 0057	Guarnizione OR	O-Ring	Ø2,62x10,78	2	
22	1210 0021	Guarnizione OR	O-Ring	Ø2,62x15,54	2	
23	0205 0021	Kit Biella 2SET	Con-Rod Assembly		1	
24	2409 0023	Pistone	Piston	Ø45	2	
25	0400 0030	Camicia	Piston Sleeve	Ø45x14,3	2	
26	1800 0020	Membrana Pompa	Diaphragm	Gomma Nitrilica Buna Rubber	2	
	1800 0102	Membrana Pompa	Diaphragm	Desmopan ®	2	
	1800 0028	Membrana Pompa	Diaphragm	Viton ®	2	
27	0602 0008	Disco Tenuta Membrana	Disc		2	
28	3605 0027	Vite Speciale Membrana	Diaphragm Holder Screw	M8	2	
29	3011 0006	Spinotto	Gudgeon Pin	Ø12x36,5	2	
30	3020 0020	Seeger Interno	Inner Seeger	Ø12	4	
31	1202 0060	Gancio Fissaggio Mandata	Delivery Hook	Ø30	1	
32	3622 0017	Vite senza Testa Esag. Inc.	Screw	M8x16	2	
33	0418 0033	Cavallotto	U-Bolt		2	
34	3202 0081	Tappo Valvola Aspir./Mand.	Plug		2	
35	1210 0191	Guarnizione OR	O-Ring	Ø3x25	2	
36	1205 0021	Gabbia Valvola Aspir./Mand.	Suct./Del. Valve Cage		4	
37	1802 0125	Molla Valvola Aspir./Mand.	Suct./Del. Valve Spring		4	
38	3604 0007	Valvola Aspir./Mandata	Suct./Delivery Valve		4	
39	3009 0111	Sede Valvola Aspir./Mand.	Suct./Del. Valve Seat		4	
40	1210 0191	Guarnizione OR	O-Ring	Ø3x25	4	
41	1220 0033	Gruppo Valvola Aspir./Mand.	Suct./Del. Valve Ass.y kit		4	
42	3218 0069	Testata Pompa	Pump Manifold		2	
43	2811 0099	Rondella	Washer	Ø8,4x15x1,6	8	
44	3609 0159	Vite	Screw	M8x50	8	
45	1200 0008	Galletto	Wing Nut	30MB	1	
46	2800 0019	Raccordo p.g. Rifiuto Diritto	Straight Hose By-pass Tail	Ø15,5x23	1	
47	1210 0046	Guarnizione OR	O-Ring	Ø2,62x17,13	1	
48	2803 0027	Raccordo Rapido p.g. Curvo	Elbow Quick Coupling	Ø16	1	
49	1210 0002	Guarnizione OR	O-Ring	Ø2,62x20,7	2	

N°	Cod.	Descrizione	Description	Note	Qty	Model
----	------	-------------	-------------	------	-----	-------

Varianti

Version

51	2400 0043	Piede Sostegno Pompa	Pump Mounting Bracket		2	
----	-----------	----------------------	-----------------------	--	---	--

Varianti

Version

52	2400 0043	Piede Sostegno Pompa	Pump Mounting Bracket		2	
53	0001 0247	Albero Non Passante	NON-Throughshaft		1	
54	1602 0049	Linguetta	Key	8x7x22	1	

Kit

Optional

56	1202 0009	Gancio	Hook		2	
57	0465 0001	Catena ad Anelli	Chain	500 mm	2	
58	1202 0006	Gancio	Hook	Ø6	2	
59	3221 0003	Traversa Attacco Rapido	Torque Arm for Quick Coup.		1	
60	3622 0011	Vite Senza Testa Esag. Inc.	Screw	M8x10	2	
61	1802 0040	Molla + Gancio	Spring + Hook	Øe20x100	1	
62	0600 0037	Dado Speciale	Special Bolt	M12x6	1	
63	0417 0005	Collare Inn.Attacco Rap.	Collar		1	
64	1407 0006	Innesto Calettato	Quick Coupling	Ø1"3/8	1	
65	2811 0025	Rondella	Washer	Ø13x20x2,5	1	
66	3607 0115	Vite Testa Esagonale	Hexagonal Screw	M12x75	1	
67	5002 0017	Kit Traversa Attacco Rapido	Torque Arm for Quick Coup. Kit		1	

Kit

Optional

70	2424 0047	Puleggia	Pulley	1Z - Øp220	1	
71	2812 0053	Rondella	Washer	Ø9x40x5	1	
72	3607 0026	Vite Testa Esagonale	Hexagonal Screw	M8x25	1	
73	5001 0065	Kit Puleggia	Pulley Kit	1Z - Øp220	1	

Kit

Optional

80	1219 0052	Valvola di Sicurezza	Safety Valve	15 Bar 0-100L	1	
81	2803 0359	Raccordo porta Valvola	Safety Valve Coupling	Ø19 - G3/8"	1	
82	1210 0002	Guarnizione OR	O-Ring	Ø2,62X 20,7	2	
83	2803 0530	Kit Valvola di Sicurezza	Safety Valve Kit	15 Bar 0-100L	1	

Kit Manutenzione

Maintenance Kit

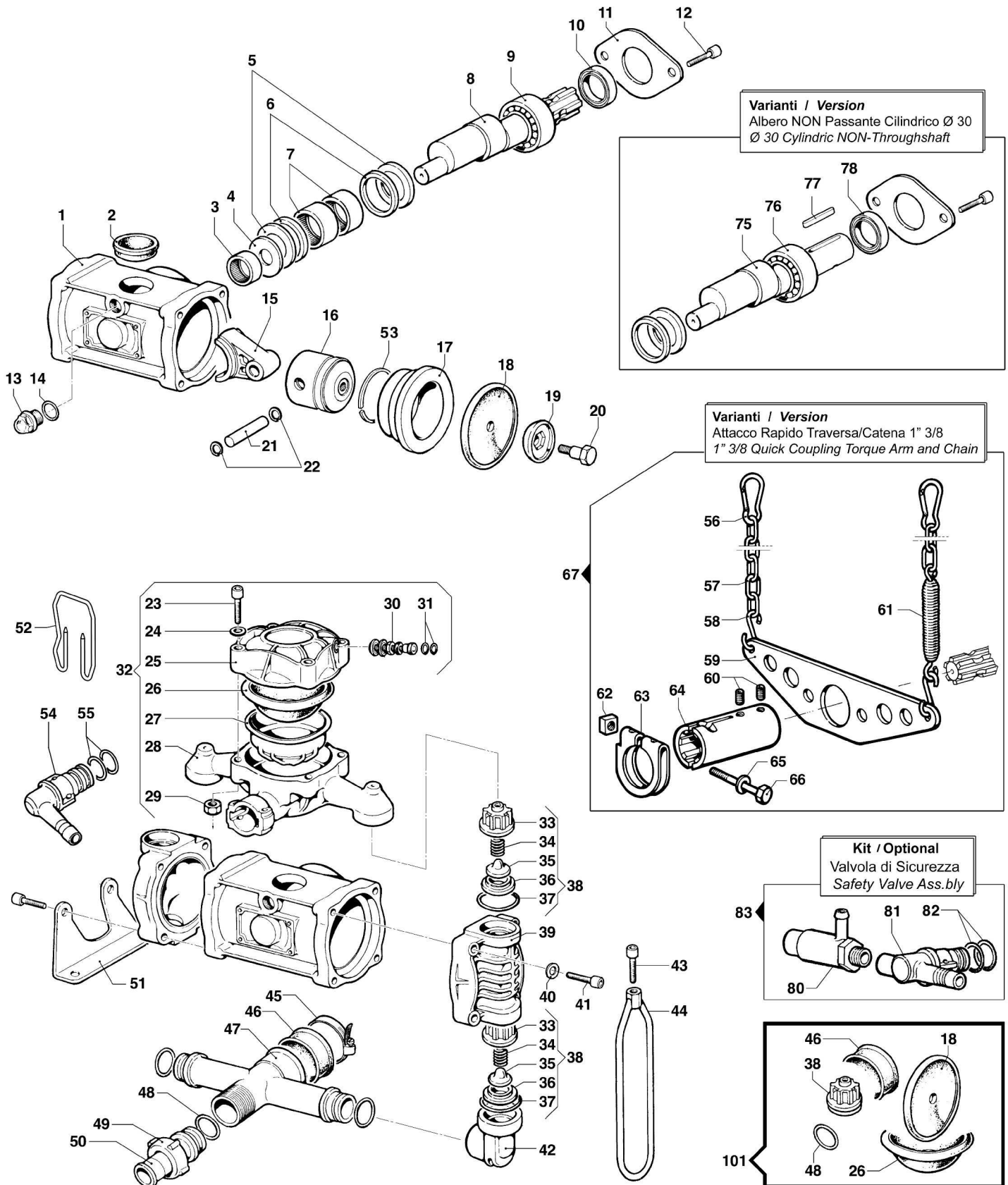
101	5026 0069	Kit Manutenzione Ordinaria	Ordinary Maintenance Kit		1	
-----	-----------	----------------------------	--------------------------	--	---	--

BP K Series

BP 60 K

Pompe a Membrana - Diaphragm Pumps

550 RPM



Pompa Base
Standard Pump

Albero NON Passante 1"3/8M, con Piedi
1"3/8M NON-Throughshaft, with Feet

BP 60 K

550 RPM

N°	Cod.	Descrizione	Description	Note	Q.ty	Model
1	0403 0132	Carter Pompa	Pump Crankcase		1	
2	1800 0030	Membrana Compens. Volum.	Volum. Comp. Diaphragm		1	
3	0437 0030	Cuscinetto Rulli	Roller Bearing	Ø20x28x20	1	
4	2813 0024	Rondella Tenuta Biella	Connecting Rod Washer	Ø20x50x3	1	
5	0601 0045	Distanziale	Spacer		2	
6	0010 0013	Anello Tenuta Biella	Connecting Rod Ring	Ø60x50x6	2	
7	0437 0031	Cuscinetto Rulli	Roller Bearing	Ø35x42x16	2	
8	0001 0097	Albero Non Passante	NON-Throughshaft	1"3/8 M	1	
9	0438 0015	Cuscinetto a Sfere	Ball Bearing	Ø35x62x14	1	
10	0019 0010	Anello Tenuta	Oil Seal	Ø35x62x10	1	
11	1004 0013	Flangia Tenuta Paraolio	Flange		1	
12	3609 0171	Vite	Screw	M10x16	2	
13	3201 0021	Tappo Olio	Oil Dipstick	3/8" GAS	1	
14	1210 0025	Guarnizione OR	O-Ring	Ø2,9x13,8	1	
15	0205 0025	Kit Biella 2SET	Connecting Rod Assembly		1	
16	2409 0096	Pistone	Piston	Ø70	2	
17	0400 0087	Camicia	Piston Sleeve	Ø70	2	
18	1800 0002	Membrana Pompa	Diaphragm	Gomma Nitrilica BUNA Rubber	2	
	1800 0178	Membrana Pompa	Diaphragm	Desmopan ®	2	
	1800 0032	Membrana Pompa	Diaphragm	Viton ®	2	
19	0602 0045	Disco Tenuta Membrana	Disc		2	
20	3605 0005	Vite Speciale Ten. Membr.	Diaphragm Holder Screw	M12x1,5	2	
21	3011 0001	Spinotto	Gudgeon Pin	Ø15x53	2	
22	3020 0001	Seeger Interno	Inner Seeger	Ø15	4	
23	3609 0182	Vite	Screw	M10x60	4	
24	2811 0098	Rondella	Washer	Ø10,5x18x2	4	
25	0003 0015	Accumulatore Press. Sup.	Pressure Accumulator		1	
26	1800 0034	Membrana Accumulatore	Diaphragm		1	
27	0460 0036	Calotta Sostegno Membr.	Diaphragm Support Cap		1	
28	0002 0028	Accumulatore Press. Infer.	Pressure Accumulator		1	
29	0604 0105	Dado	Nut	M10	4	
30	3610 0003	Valvola Aria	Air Valve		1	
31	1209 0033	Guarnizione	Gasket	Ø14x7,5x2	2	
32	0102 0010	Kit Accumulatore Press.	Pressure Accumulator Kit		1	
33	1205 0034	Gabbia Valv. Aspir./Mand.	Suct./Delivery Valve Cage		4	
34	1802 0255	Molla	Spring		4	
35	3604 0009	Valvola Aspiraz./Mandata	Suction/Delivery Valve		4	
36	3009 0022	Sede Valvola Aspir./Mand.	Suct./Delivery Valve Seat		4	
37	1210 0419	Guarnizione OR	O-Ring	Ø6x37x49	4	
38	1220 0046	Gruppo Valv. Aspir./Mand.	Suct./Del. Valve Ass.y kit		4	
39	3218 0123	Testata Pompa	Pump Manifold		2	
40	2811 0098	Rondella	Washer	Ø10,5x18x2	4	
41	3609 0161	Vite	Screw	M10x45	8	
42	2804 0012	Raccordo Curvo Aspiraz.	Elbow Suction Coupling		2	
43	3609 0160	Vite	Screw	M10x30	2	
44	0418 0041	Cavallotto	U-Bolt		2	
45	1003 0036	Fascetta	Hose Clamp		1	
46	1800 0017	Membrana Polmone Aspir.	Diaphragm		1	
47	3212 0025	Tubo Aspirazione	Suction Hose		1	
48	1210 0096	Guarnizione OR	O-Ring	Ø3,53x21,82	3	

N°	Cod.	Descrizione	Description	Note	Q.ty	Model
49	1200 0009	Galletto	Wing Nut	M36x2	1	
50	2800 0010	Raccordo p.g. Aspir. Diritto	Suction Hose Tail	Ø19x26	1	
51	2400 0052	Piede Sostegno Pompa	Pump Mounting Bracket		2	
52	1202 0060	Gancio Fissaggio Mandata	Delivery Hook		1	
53	0020 0001	Anello Compressione	Compression Ring		2	
54	2803 0033	Raccordo Rapidop.g. Curvo	Elbow Quick Coupling	Ø20	1	
55	1210 0002	Guarnizione OR	O-Ring	Ø2,62x20,7	2	

Varianti

Version

56	1202 0009	Gancio	Hook		2	
57	0465 0001	Catena ad Anelli	Chain	500 mm	2	
58	1202 0006	Gancio	Hook	Ø6	2	
59	3221 0001	Traversa Attacco Rapido	Torque Arm for Quick Coup.		1	
60	3622 0011	Vite Senza Testa Esag. Inc.	Screw	M8x10	2	
61	1802 0040	Molla (Filo Ø2,5) + Gancio	Spring (Wire Ø2,5) + Hook	Øe20x100	1	
62	0600 0037	Dado Speciale	Special Bolt	M12x6	1	
63	0417 0005	Collare Innesco Attacco Rap.	Collar		1	
64	1407 0006	Innesco Calettato	Quick Coupling	Ø1"3/8	1	
65	2811 0025	Rondella	Washer	Ø13x20x2,5	1	
66	3607 0115	Vite Testa Esagonale	Hexagonal Screw	M12x75	1	
67	5002 0008	Kit Traversa Attacco Rapido	Torque Arm for Quick Coup. Kit		1	

Varianti

Version

75	0001 0050	Albero Non Passante	NON-Throughshaft	Ø30 Cil.	1	
76	0438 0016	Cuscinetto a Sfere	Ball Bearing	Ø30x62x16	1	
77	1602 0018	Linguetta	Key	8x7x40	1	
78	0019 0016	Anello Tenuta	Oil Seal	Ø30x62x10	1	

Kit

Optional

80	1219 0042	Valvola di Sicurezza	Safety Valve	20 Bar 0-100L	1	
81	2803 0358	Raccordo porta Valvola	Safety Valve Coupling	Ø15 - G3/8"	1	
82	1210 0002	Guarnizione OR	O-Ring	Ø2,62X 20,7	2	
83	2803 0353	Kit Valvola di Sicurezza	Safety Valve Kit	20 Bar 0-100L	1	

Kit Manutenzione

Maintenance Kit

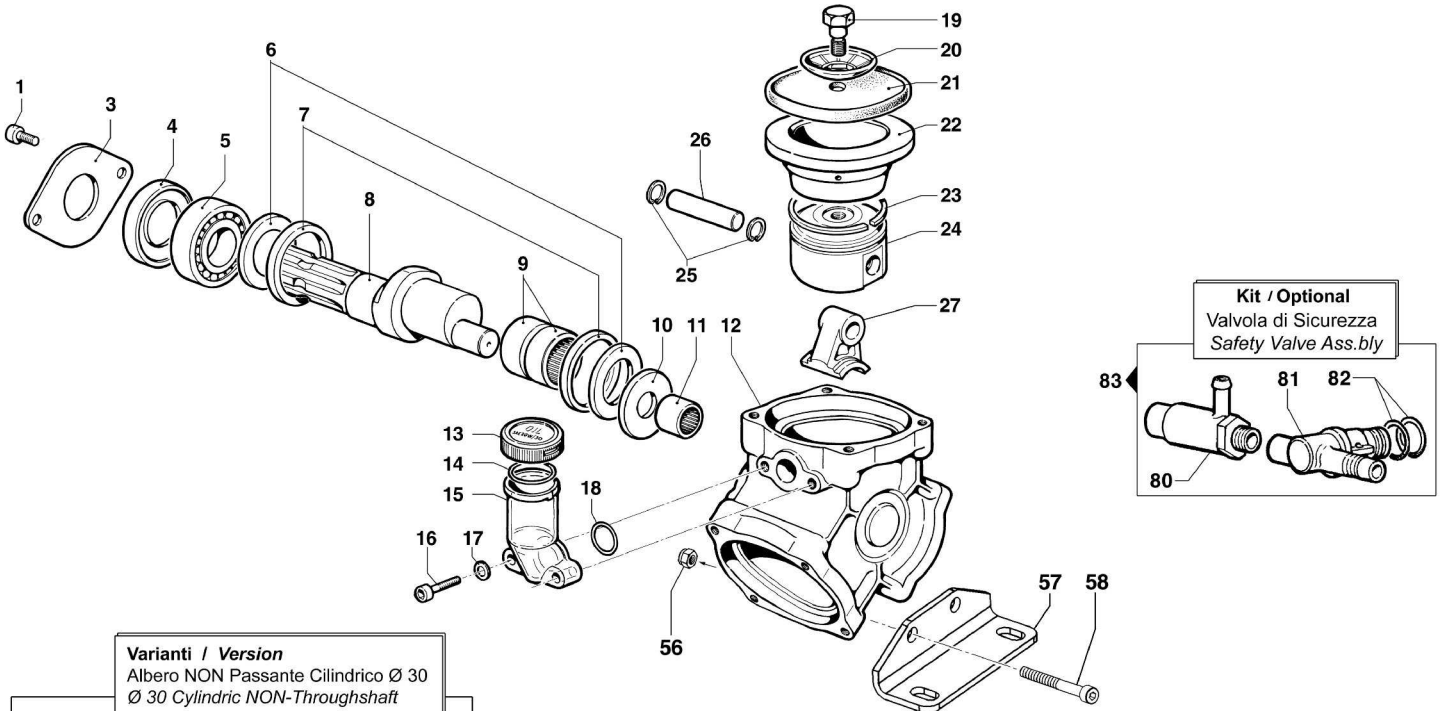
101	5026 0344	Kit Ricambi Manutenzione	Ordinary Maintenance Kit		1	
-----	-----------	--------------------------	--------------------------	--	---	--

BP K Series

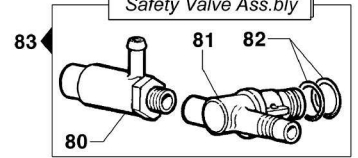
BP 105 K - BP 125 K

Pompe a Membrana - Diaphragm Pumps

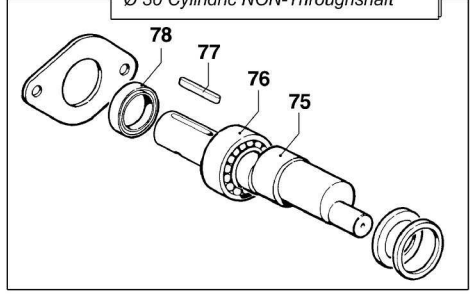
550 RPM



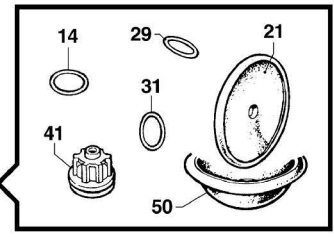
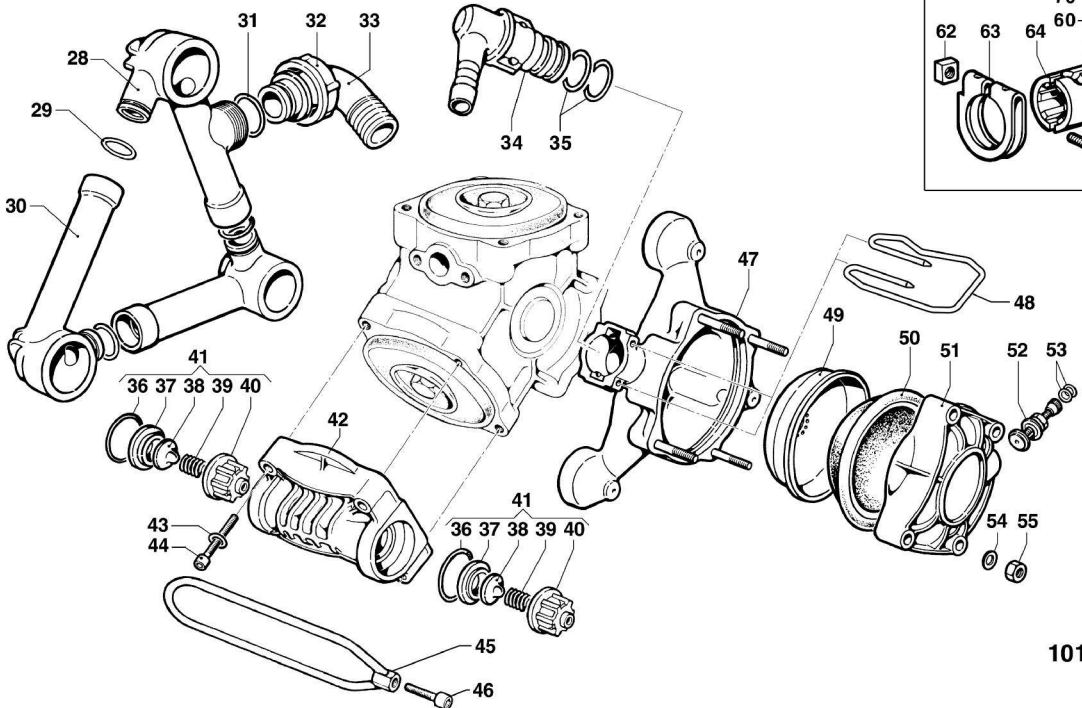
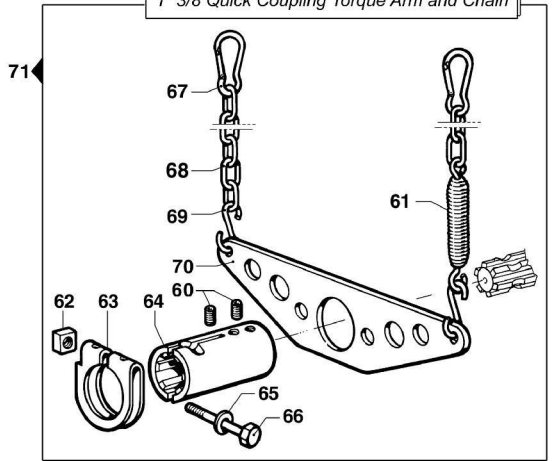
Kit / Optional
Valvola di Sicurezza
Safety Valve Ass.bly



Varianti / Version
Albero NON Passante Cilindrico Ø 30
Ø 30 Cylindric NON-Throughshaft



Varianti / Version
Attacco Rapido Traversa/Catena 1" 3/8
1" 3/8 Quick Coupling Torque Arm and Chain



Pompa Base
Standard Pump

Albero NON Passante 1"3/8M, con Piedi
1"3/8M NON-Throughshaft, with Feet

BP 105 K - BP 125 K

550 RPM

N°	Cod.	Descrizione	Description	Note	Qty	Model
1	3609 0171	Vite	Screw	M10x16	2	
3	1004 0013	Flangia Tenuta Paraolio	Flange		1	
4	0019 0010	Anello Tenuta	Oil Seal	Ø35x62x10	1	
5	0438 0015	Cuscinetto a Sfere	Ball Bearing	Ø35x62x14	1	
6	2813 0019	Rondella Tenuta Biella	Connecting Rod Washer	Ø63x40x2,8	2	
7	0010 0008	Anello Tenuta Biella	Connecting Rod Ring	Ø68x55x6	2	
8	0001 0382	Albero Non Passante	NON-Throughshaft	1"3/8 M	1	BP125K
	0001 0098	Albero Non Passante	NON-Throughshaft	1"3/8 M	1	BP105K
9	0437 0045	Cuscinetto Rulli	Roller Bearing	Ø40x47x16	2	
10	2813 0024	Rondella Tenuta Biella	Connecting Rod Washer	Ø20x50x3	1	
11	0437 0033	Cuscinetto Rulli	Roller Bearing	Ø20x28x23	1	
12	0403 0133	Carter Pompa	Pump Crankcase		1	
13	0402 0141	Coperchio Compens. Vol.	Volum. Compensator Cover		1	
14	1210 0122	Guarnizione OR	O-Ring	Ø2,62x44,12	1	
15	0421 0020	Compensatore Volumetr.	Volumetric Compensator		1	
16	3609 0165	Vite	Screw	M8x35	2	
17	2811 0099	Rondella	Washer	Ø8,4x15x1,6	2	
18	1210 0037	Guarnizione OR	O-Ring	Ø2,5x25	1	
19	3605 0005	Vite Spec. Tenuta Membr.	Diaphragm Holder Screw		3	
20	0602 0045	Disco Tenuta Membrana	Disc		3	
21	1800 0002	Membrana Pompa	Diaphragm	Gomma Nitrilica Buna Rubber	3	
	1800 0178	Membrana Pompa	Diaphragm	Desmopan ®	3	
	1800 0032	Membrana Pompa	Diaphragm	Viton ®	3	
22	0400 0077	Camicia	Piston Sleeve	Ø75	3	BP125K
	0400 0088	Camicia	Piston Sleeve	Ø70	3	BP105K
23	0020 0009	Anello Compressione	Compression Ring	Ø75	3	BP125K
	0020 0001	Anello Compressione	Compression Ring	Ø70	3	BP105K
24	2409 0081	Pistone	Piston	Ø75	3	BP125K
	2409 0096	Pistone	Piston	Ø70	3	BP105K
25	3020 0001	Seegeer Interno	Inner Seeger	Ø15	6	
26	3011 0001	Spinotto	Gudgeon Pin	Ø15x53	3	
27	0205 0034	Kit Biella 3SET	Connecting Rod Assembly		1	
28	3212 0023	Tubo Aspirazione	Suction Hose		1	
29	1210 0047	Guarnizione OR	O-Ring	Ø2,62x22,22	3	
30	3213 0012	Tubo Aspirazione	Suction Pipe		2	
31	1210 0034	Guarnizione OR	O-Ring	Ø3,53x28,17	1	
32	1200 0011	Galletto	Wing Nut		1	
33	2801 0063	Raccordo p.g. Aspir. Curvo	Suction Elbow Tail	Ø25x40	1	BP125K
	2801 0009	Raccordo p.g. Aspir. Curvo	Suction Elbow Tail	Ø25x35	1	BP105K
34	2803 0033	Raccordo Rapido p.g. Curvo	Elbow Quick Coupling	Ø20	1	
35	1210 0002	Guarnizione OR	O-Ring	Ø2,62x20,7	2	
36	1210 0419	Guarnizione OR	O-Ring	Ø6x37x49	6	
37	3009 0022	Sede Valv. Aspir./Mandata	Suct./Delivery Valve Seat		6	
38	3604 0009	Valvola Aspiraz./Mandata	Suction/Delivery Valve		6	
39	1802 0255	Molla	Spring		6	
40	1205 0034	Gabbia Valv. Aspir./Mand.	Suct./Delivery Valve Cage		6	
41	1220 0046	Gruppo Valvola Asp./Mand.	Suct./Del. Valve Ass.y Kit		6	
42	3218 0123	Testata Pompa	Pump Manifold		3	
43	2811 0098	Rondella	Washer	Ø10,5x18x2	12	
44	3609 0161	Vite	Screw	M10x45	12	
45	0418 0041	Cavallotto	U-Bolt		3	
46	3609 0160	Vite	Screw	M10x30	3	
47	0002 0021	Accumulatore Press. Infer.	Pressure Accumulator		1	
48	1202 0060	Gancio Fissaggio Mandata	Delivery Hook		1	

N°	Cod.	Descrizione	Description	Note	Qty	Model
49	0460 0036	Calotta Sostegno Membr.	Diaphragm Support Cap		1	
50	1800 0034	Membrana Accumulatore	Diaphragm		1	
51	0003 0030	Accumulatore Press. Sup.	Pressure Accumulator	Arancione/Orange	1	BP125K
	0003 0015	Accumulatore Press. Sup.	Pressure Accumulator	Nero / Black	1	BP105K
52	3610 0003	Valvola Aria	Air Valve		1	
53	1209 0033	Guarnizione	Gasket	Ø14x7,5x2	2	
54	2811 0089	Rondella	Washer	Ø10,5x18x1,6	4	
55	0604 0105	Dado	Nut	M10	4	
56	0604 0073	Dado	Nut	M10X1	2	
57	2400 0108	Piede Sostegno Pompa	Pump Mounting Bracket		2	
58	3609 0051	Vite	Screw	M10x90	2	

Varianti

Version

60	3622 0011	Vite Senza Testa Esag. Inc.	Screw	M8x10	2	
61	1802 0040	Molla (Filo Ø2,5) + Gancio	Spring (Wire Ø2,5) + Hook	Øe20x100	1	
62	0600 0037	Dado Speciale	Special Bolt	M12x6	1	
63	0417 0005	Collare Innesto Attacco Rap.	Collar		1	
64	1407 0006	Innesto Calettato	Quick Coupling	Ø1"3/8	1	
65	2811 0025	Rondella	Washer	Ø13x20x2,5	1	
66	3607 0115	Vite Testa Esagonale	Hexagonal Screw	M12x75	1	
67	1202 0009	Gancio	Hook		2	
68	0465 0001	Catena ad Anelli	Chain	500 mm	2	
69	1202 0006	Gancio	Hook	Ø6	2	
70	3221 0001	Traversa Attacco Rapido	Torque Arm for Quick Coup.		1	
71	5002 0008	Kit Traversa Attacco Rapido	Torque Arm for Quick Coup. Kit		1	

Varianti

Version

75	0001 0394	Albero Non Passante	NON-Throughshaft	Ø30 Cil.	1	BP125K
	0001 0136	Albero Non Passante	NON-Throughshaft	Ø30 Cil.	1	BP105K
76	0438 0016	Cuscinetto a Sfere	Ball Bearing	Ø30x62x16	1	
77	1602 0018	Linguetta	Key	8x7x40	1	
78	0019 0101	Anello Tenuta	Oil Seal	Ø30x62x7	1	BP125K
	0019 0016	Anello Tenuta	Oil Seal	Ø30x62x10	1	BP105K

Kit

Optional

80	1219 0042	Valvola di Sicurezza	Safety Valve	20 Bar 0-100L	1	
81	2803 0359	Raccordo porta Valvola	Safety Valve Coupling	Ø19 - G3/8"	1	
82	1210 0002	Guarnizione OR	O-Ring	Ø2,62x 20,7	2	
83	2803 0352	Kit Valvola di Sicurezza	Safety Valve Kit	20 Bar 0-100L	1	

Kit Manutenzione

Maintenance Kit

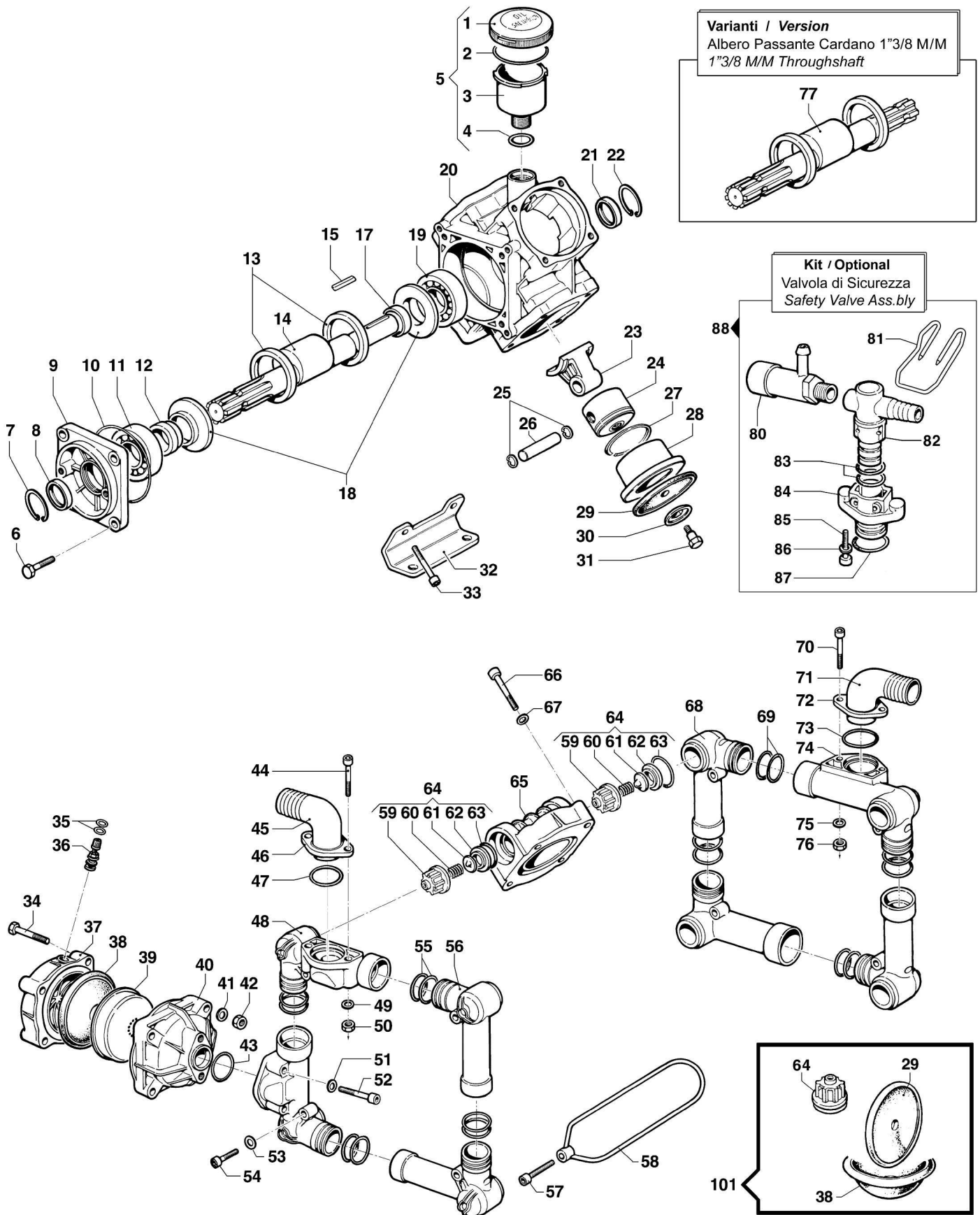
101	5026 0326	Kit Ricambi Manutenzione	Ordinary Maintenance Kit		1	
-----	-----------	--------------------------	--------------------------	--	---	--

BP K Series

BP 151 K - BP 171 K

Pompe a Membrana - Diaphragm Pumps

550 RPM



Pompa Base
Standard Pump

Albero Passante 1"3/8-Ø30 Cil.
1"3/8-Ø30 Cyl. Throughshaft

BP 151 K - BP 171 K

550 RPM

N°	Cod.	Descrizione	Description	Note	Qty	Model
1	0402 0143	Coperchio Compens. Volum.	Volum. Compensator Cover		1	
2	1210 0373	Guarnizione OR	O-Ring	Ø3,53x73,03	1	
3	0421 0012	Compens. Volumetrico	Volum. Compensator		1	
4	1210 0002	Guarnizione OR	O-Ring	Ø2,62x20,7	1	
5	1208 0015	Gruppo Compens. Volum.	Volumetric Compensator		1	
6	3607 0220	Vite Testa Esagonale	Hexagonal Screw	M10x30	4	
7	3020 0009	Seeger Interno	Inner Seeger	Ø47	1	
8	0019 0083	Anello Tenuta	Oil Seal	Ø35x47x7	1	
9	0405 0067	Coperchio Supp. porta Cusc.	Support Cover		1	
10	1210 0345	Guarnizione OR	O-Ring	Ø1,78x101,32	1	
11	0438 0094	Cuscinetto a Sfere	Ball Bearing	Ø35x80x21	1	
12	0601 0132	Distanziale	Spacer	Ø35xØ48x18	1	
13	0010 0020	Anello Tenuta Biella	Connecting Rod Ring	Ø80x68	2	
14	0001 0402	Albero Passante	Throughshaft	1"3/8-Ø30 Cil.	1	
15	1602 0018	Linguetta	Key	8x7x40	1	
17	0601 0134	Distanziale	Spacer	Ø35xØ44x10	1	
18	2813 0036	Rondella Tenuta Biella	Connecting Rod Washer		2	
19	0438 0094	Cuscinetto a Sfere	Ball Bearing	Ø35x80x21	1	
20	0403 0118	Carter Pompa	Pump Crankcase		1	
21	0019 0083	Anello Tenuta	Oil Seal	Ø35x47x7	1	
22	3020 0009	Seeger Interno	Inner Seeger	Ø47	1	
23	0205 0038	Kit Biella 4SET	Connecting Rod Ass.y		1	
24	2409 0081	Pistone	Piston	Ø75	4	BP171K
	2409 0096	Pistone	Piston	Ø70	4	BP151K
25	3020 0001	Seeger Interno	Inner Seeger	Ø15	8	
26	3011 0001	Spinotto	Gudgeon Pin	Ø15x53	4	
27	0020 0009	Anello Compressione	Compression Ring	Ø75	4	BP171K
	0020 0001	Anello Compressione	Compression Ring	Ø70	4	BP151K
28	0400 0077	Camicia	Piston Sleeve	Ø75	4	BP171K
	0400 0088	Camicia	Piston Sleeve	Ø70	4	BP151K
29	1800 0002	Membrana Pompa	Diaphragm	Gomma Nitrilica Buna Rubber	4	
	1800 0178	Membrana Pompa	Diaphragm	Desmopan ®	4	
	1800 0032	Membrana Pompa	Diaphragm	Viton ®	4	
30	0602 0045	Disco Tenuta Membrana	Disc		4	
31	3605 0005	Vite Speciale Tenuta Membr.	Diaphragm Holder Screw	M12x1,5	4	
32	2400 0064	Piede Sostegno Pompa	Pump Mounting Bracket		2	
33	3609 0192	Vite	Screw	M10x50	4	
34	3607 0223	Vite Testa Esagonale	Hexagonal Screw	M10x65	4	
35	1209 0033	Guarnizione	Gasket	Ø14x7,5x2	2	
36	3610 0003	Valvola Aria	Air Valve		1	
37	0003 0030	Accumulat. Press. Sup.	Pressure Accumulator	Aranzone / Orange	1	BP171K
	0003 0015	Accumulat. Press. Sup.	Pressure Accumulator		1	BP151K
38	1800 0034	Membrana Accumulat.	Diaphragm		1	
39	0460 0036	Calotta Sostegno Membr.	Diaphragm Support Cap		1	
40	0002 0024	Accumulat. Press. Infer.	Pressure Accumulator		1	
41	2811 0098	Rondella	Washer	Ø10,5x18x2	4	
42	0604 0105	Dado	Nut	M10	4	
43	1210 0185	Guarnizione OR	O-Ring	Ø4,0x38	1	
44	3609 0156	Vite	Screw	M8x55	2	
45	2801 0032	Raccordo p.g. Curvo	Elbow Coupling	Ø25	1	
46	2404 0108	Piastra Fiss. Raccordo	Hose Tail Fixing Plate		1	
47	1210 0180	Guarnizione OR	O-Ring	Ø3x29	1	
48	3214 0039	Tubo Mandata	Delivery Hose		2	
49	2811 0099	Rondella	Washer	Ø8,4x15x1,6	4	

N°	Cod.	Descrizione	Description	Note	Qty	Model
50	0604 0107	Dado	Nut	M8	2	
51	2811 0099	Rondella	Washer	Ø8,4x15x1,6	1	
52	3609 0156	Vite	Screw	M8x55	2	
53	2811 0099	Rondella	Washer	Ø8,4x15x1,6	4	
54	3609 0162	Vite	Screw	M8x40	4	
55	1210 0011	Guarnizione OR	O-Ring	Ø3,0x36	8	
56	3214 0038	Tubo Mandata	Delivery Hose		2	
57	3609 0163	Vite	Screw	M10x40	4	
58	0418 0040	Cavallotto	U-Bolt		4	
59	1205 0034	Gabbia Valv. Aspir./Mand.	Suct./Deliv. Valve Cage		8	
60	1802 0255	Molla	Spring		8	
61	3604 0009	Valvola Aspir./Mandata	Suction/Delivery Valve		8	
62	3009 0022	Sede Valvola Asp./Mand.	Suct./Deliv. Valve Seat		8	
63	1210 0419	Guarnizione OR	O-Ring	Ø6x37x49	8	
64	1220 0046	Gruppo Valv. Asp./Mand.	Suct./Del. Valve Ass.y kit		8	
65	3218 0123	Testata Pompa	Pump Manifold		4	
66	3609 0192	Vite	Screw	M10x50	12	
67	2811 0098	Rondella	Washer	Ø10,5x18x2	12	
68	3214 0038	Tubo Mandata	Delivery Hose		3	
69	1210 0011	Guarnizione OR	O-Ring	Ø3,0x36	8	
70	3609 0140	Vite	Screw	M8x55 INOX	2	
71	2801 0055	Raccordo p.g. Curvo	Elbow Coupling	Ø40	1	
72	2404 0108	Piastra Fiss. Raccordo	Hose Tail Fixing Plate		1	
73	1210 0180	Guarnizione OR	O-Ring	Ø3x29	1	
74	3214 0039	Tubo Mandata	Delivery Hose		1	
75	2811 0099	Rondella	Washer	Ø8,4x15x1,6	4	
76	0604 0107	Dado	Nut	M8	2	

Varianti

Version

77	0001 0412	Albero Passante	Throughshaft	1"3/8 M - 1"3/8 M	1	
----	-----------	-----------------	--------------	-------------------	---	--

Kit

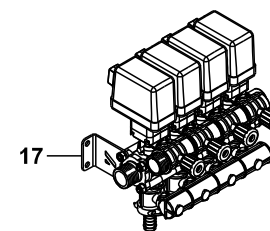
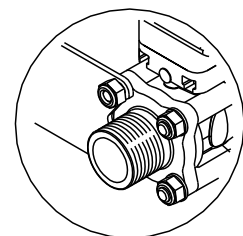
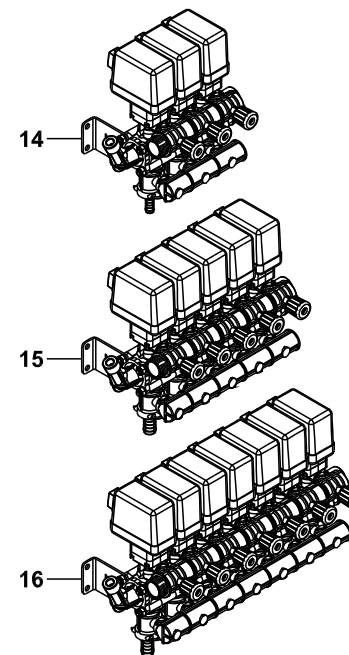
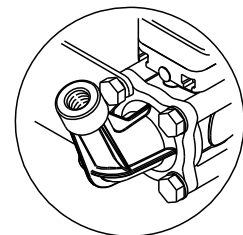
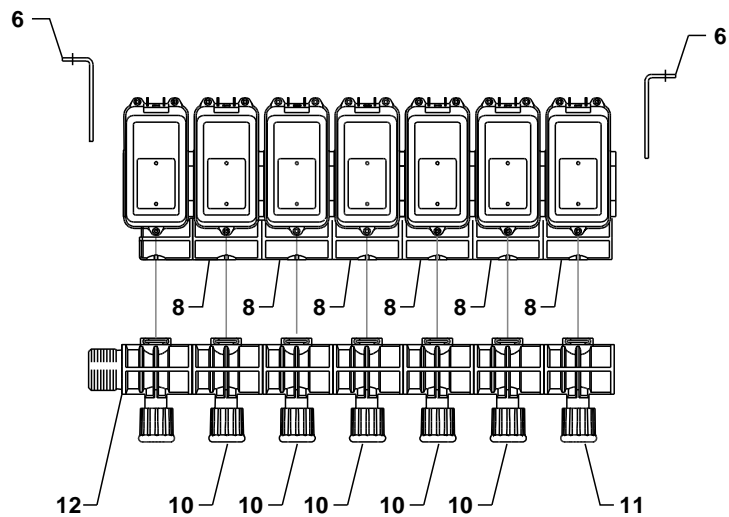
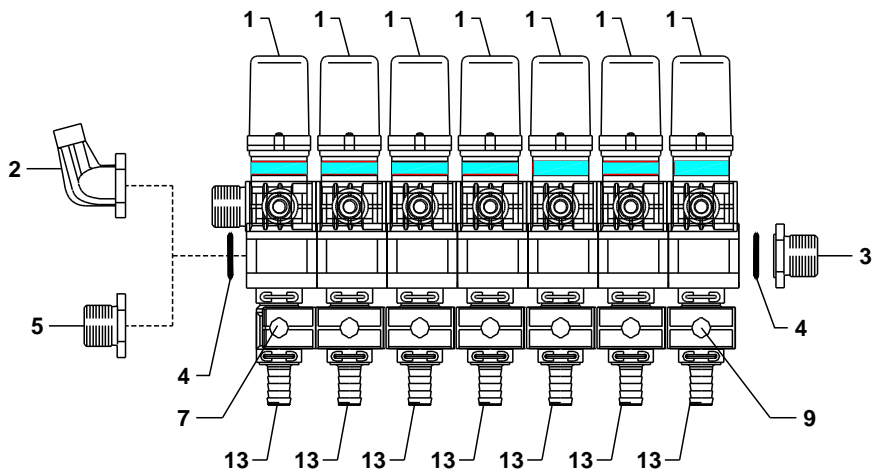
Optional

80	1219 0043	Valvola di Sicurezza	Safety Valve	20Bar100-200L	1	
81	1202 0060	Gancio Fiss. Mandata	Delivery Hook		1	
82	2803 0356	Raccordo porta Valvola	Safety Valve Coupling	Ø25 - G1/2"	1	
83	1210 0002	Guarnizione OR	O-Ring	Ø2,62X 20,7	2	
84	2803 0334	Raccordo Speciale	Special Coupling		1	
85	3609 0159	Vite	Screw	M8x50	2	
86	2811 0099	Rondella	Washer	Ø8,4x15x1,6	2	
87	1210 0180	Guarnizione OR	O-Ring	Ø3,0x29	1	
88	2803 0364	Kit Valvola di Sicurezza	Safety Valve Kit	20Bar100-200L	1	

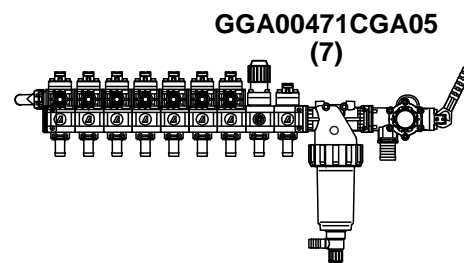
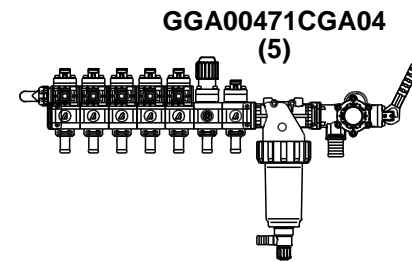
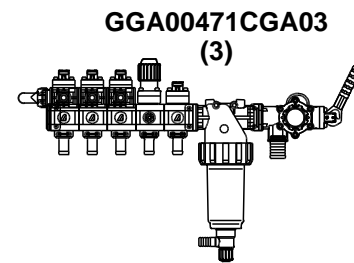
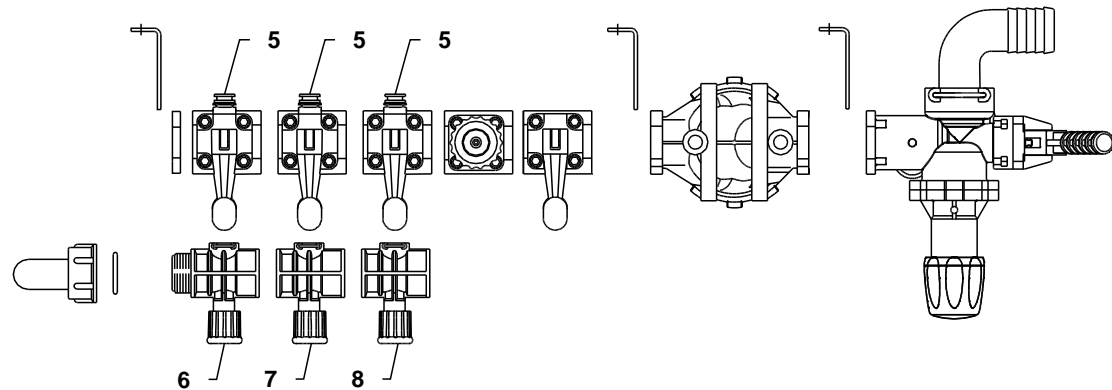
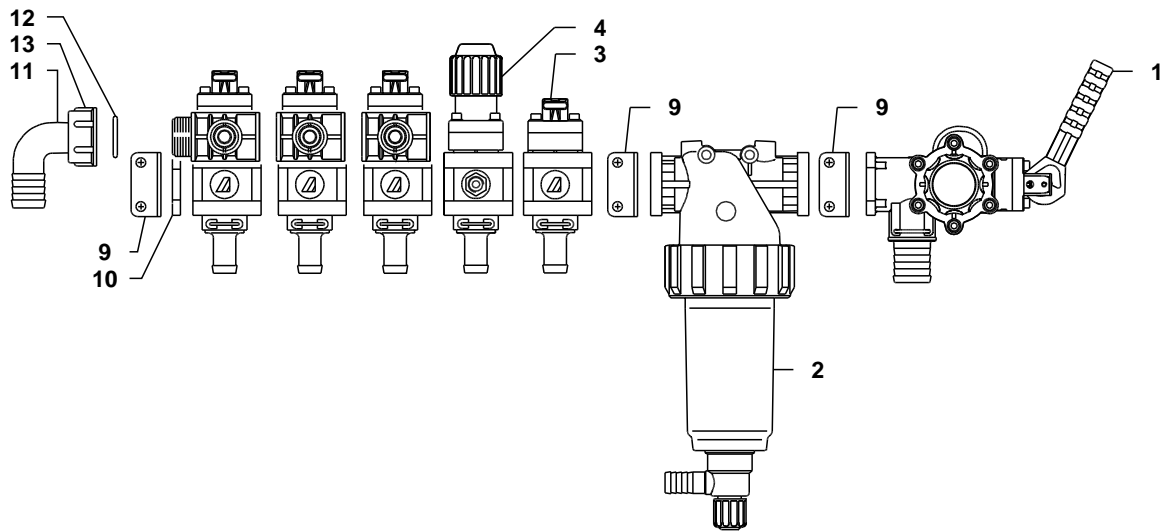
Kit Manutenzione

Maintenance Kit

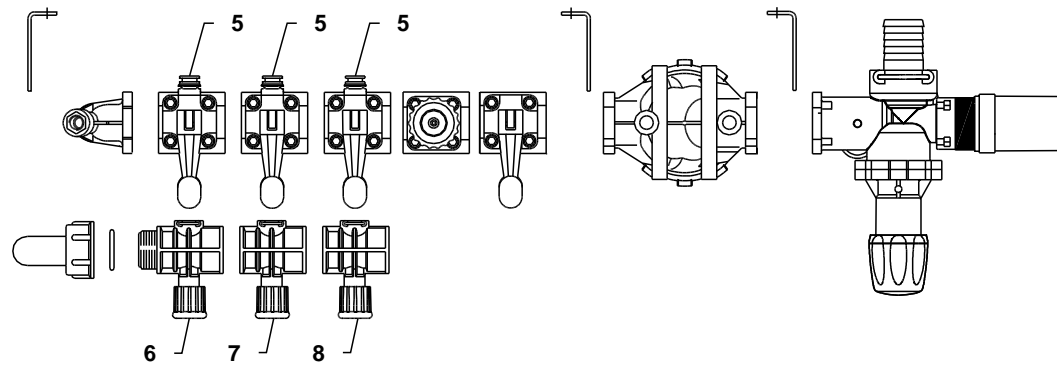
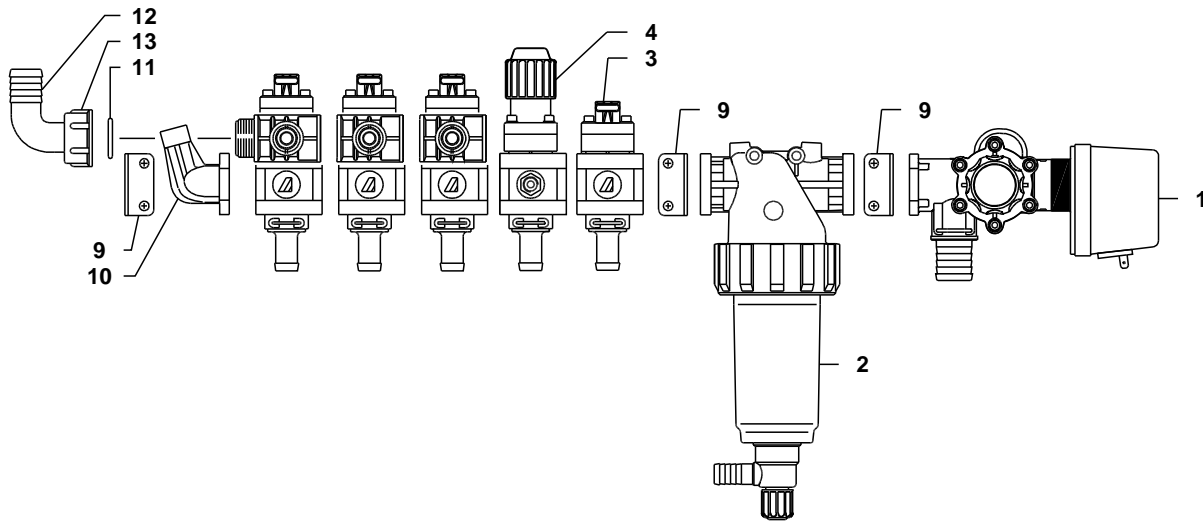
101	5026 0145	Kit Ricambi Manutenzione	Ordinary Maintenance Kit		1	
-----	-----------	--------------------------	--------------------------	--	---	--



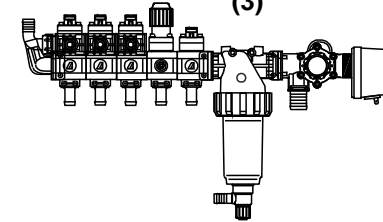
- | | | |
|----|----------------|------------|
| 1 | A- 463011S.910 | |
| 2 | GGA463011.130 | |
| 3 | GGA463000.040 | |
| 4 | GGA00G10071V | |
| 5 | GGA463000.140 | |
| 6 | GGA463011.100 | |
| 7 | A- 463000.260A | |
| 8 | A- 463000.360A | |
| 9 | A- 463000.460A | |
| 10 | GGA463010.802 | |
| 11 | GGA463010.801 | |
| 12 | GGA463010.803 | |
| 13 | A- 463001.A19 | D=19mm |
| 13 | BG010589 | D=13mm |
| 14 | GGA00463CGA12 | 3 funzioni |
| 15 | GGA00463CGA13 | 5 funzioni |
| 16 | GGA00463CGA14 | 7 funzioni |
| 17 | BG019074 | 4 funzioni |



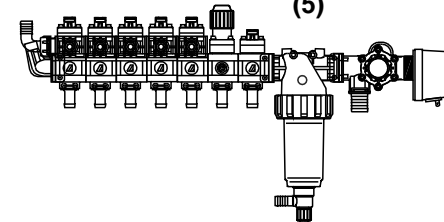
- 1 BG013367
- 2 GGA0032621135
- 3 GGA00463051
- 4 GGA00463074
- 5 GGA00463061
- 6 GGA463010.803
- 7 GGA463010.802
- 8 GGA463010.801
- 9 GGA463011.100
- 10 GGA463011.120
- 11 GGA00116425
- 12 GGA00G10041V
- 13 GGA002002040



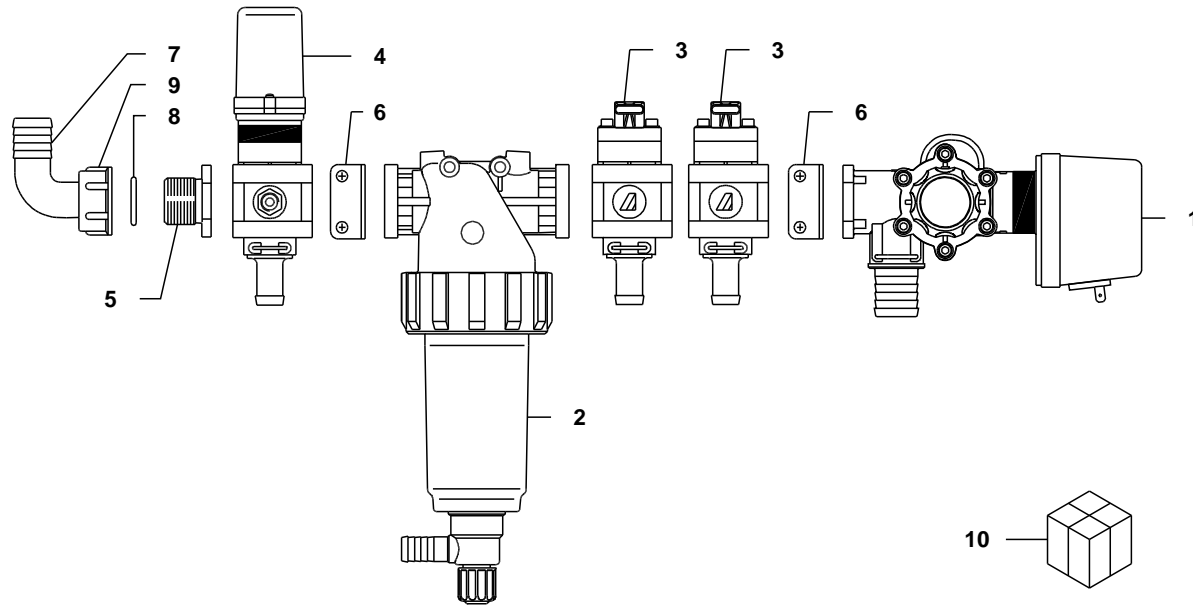
**GGA00471CGA08
(3)**



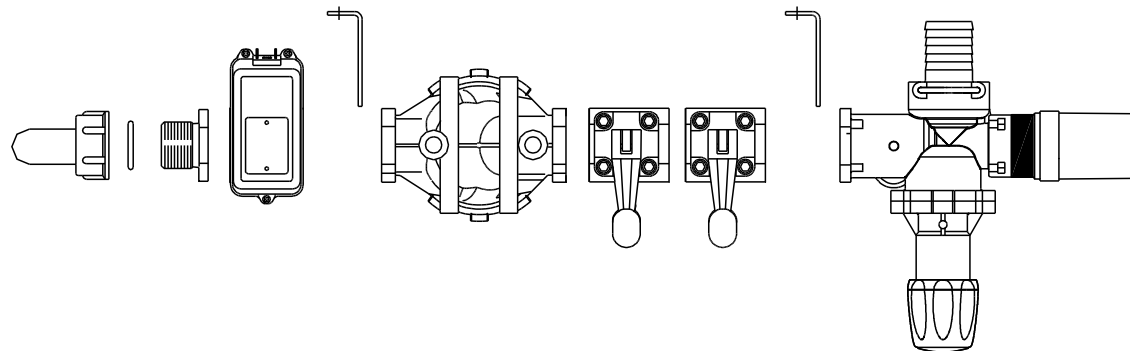
**GGA00471CGA09
(5)**



- 1 BG013045
- 2 GGA0032621135
- 3 GGA00463051
- 4 GGA00463074
- 5 GGA00463061
- 6 GGA463010.803
- 7 GGA463010.802
- 8 GGA463010.801
- 9 GGA463011.100
- 10 GGA463011.130
- 11 GGA00116425
- 12 GGA00G10041V
- 13 GGA002002040

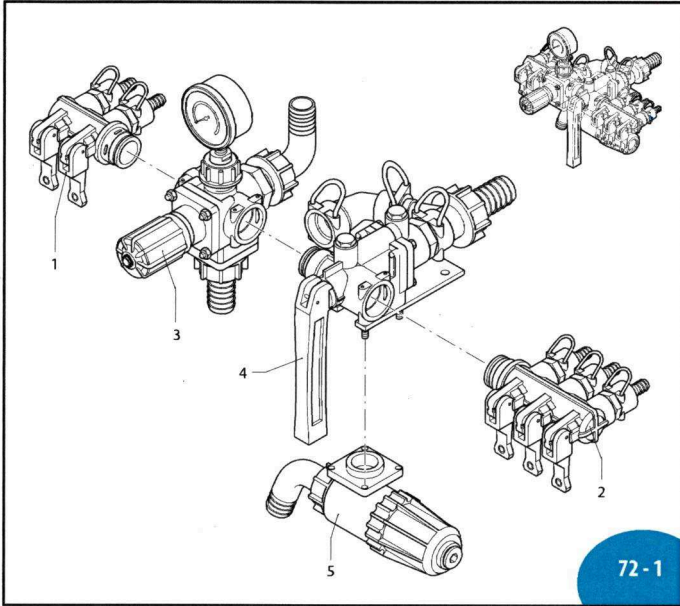


- 1 BG013045
- 2 GGA0032621135
- 3 GGA00463051
- 4 GGA00463020
- 5 GGA463000.140
- 6 GGA46311.100
- 7 GGA00116425
- 8 GGA00G10041V
- 9 GGA002002040
- 10 GGA00471CGA11

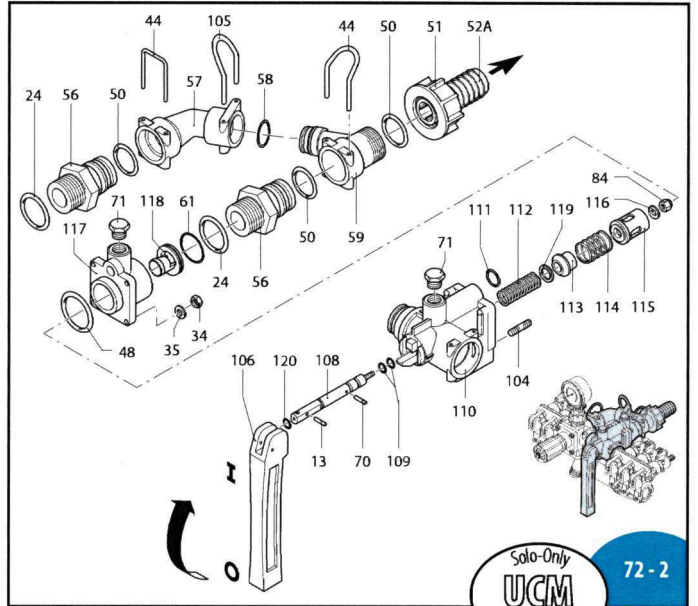


ECM - UCM

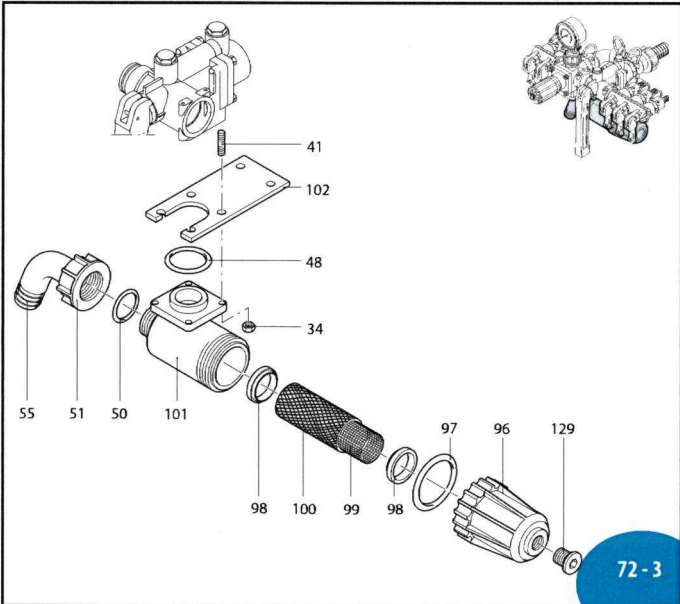
(398600)



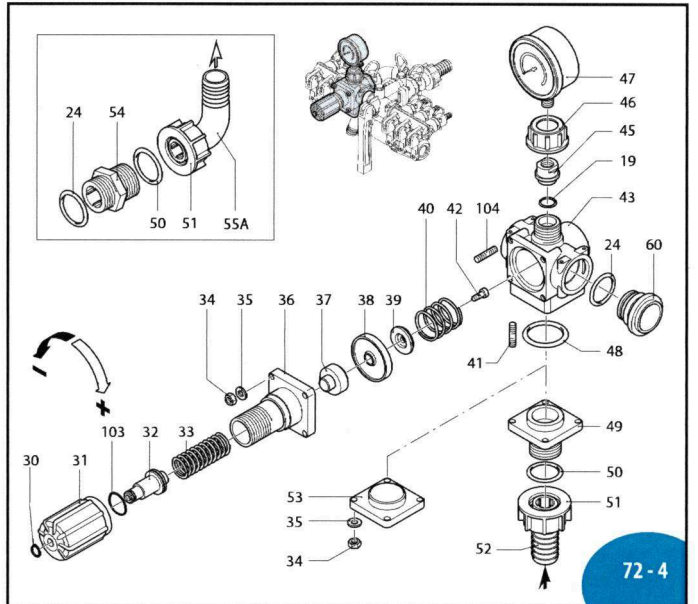
UN970192-DD



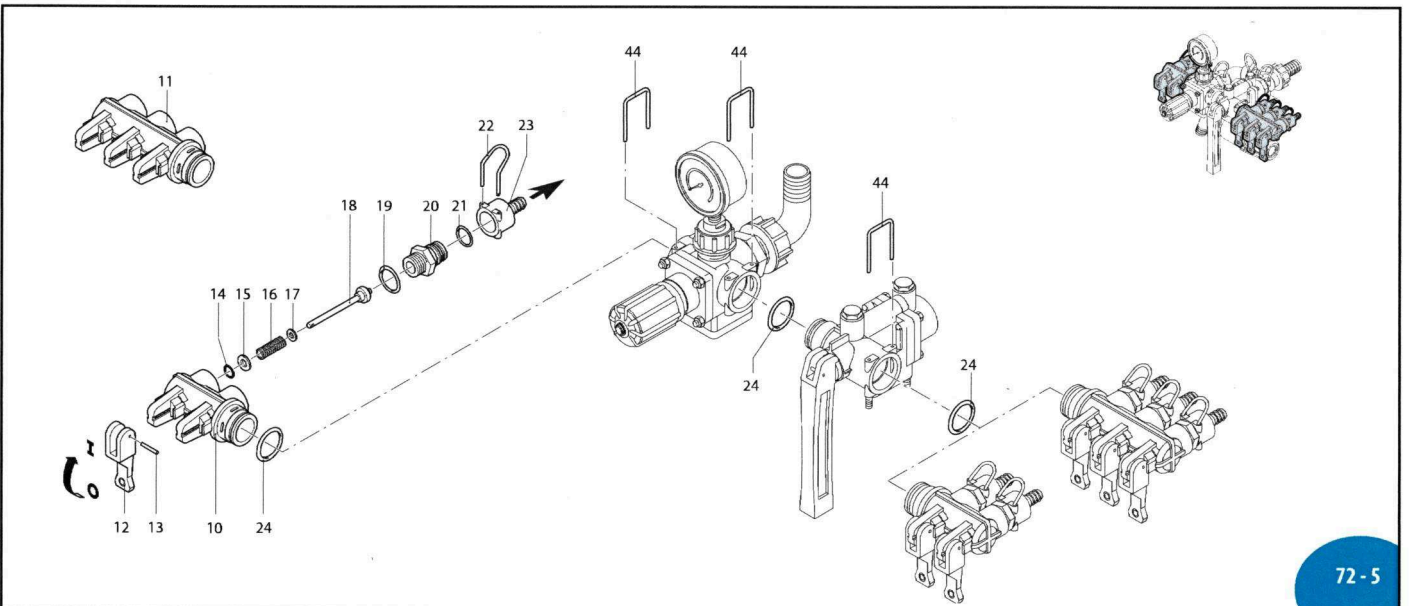
UN970193-DD



UN970194-DD



UN970196-DD



UN970195-DD

ECM - UCM

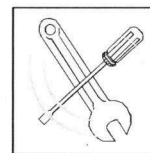
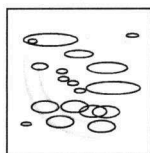
sp_ECM_UCM.pdf

Pos.	Cod.	Descrizione	Description	Q.ty	Note
1	1547	Gruppo rub.2 vie SX	Left 2-way valve	1	Uscita/Outlet ø 12
	1548	Gruppo rub.3 vie SX	Left 3-way valve	1	Uscita/Outlet ø 12
2	1571	Gruppo rub.2 vie DX	Right 2-way valve	1	Uscita/Outlet ø 12
	1572	Gruppo rub.3 vie DX	Right 3-way valve	1	Uscita/Outlet ø 12
3	1348	Valvola reg.comp.ECM	ECM compl.reg.valve	1	
	1349	Valvola reg.comp.UCM	UCM compl.reg.valve	1	
4	1351	Corpo distributore+R	Distributor body+R	1	
5	1553	Gruppo filtro compl.	Complete filter	1	
10	394850	Corpo rubinetto 2 vie	2-way valve body	1	
11	394860	Corpo rubinetto 3 vie	3-way valve body	1	
12	394690	Leva rubinetto rossa	Red valve lever	4	
13	390330	Spina elastica	Pin	5	
14	390341	OR ø 5x2	O-Ring	4	☒
15	393790	Rosetta øi 6,4	Washer	4	☒
16	390300	Molla asta valvola	Spring	4	☒
17	390313	Rosetta øi 9	Washer	4	☒
18	390323	Asta valvola completa	Complete valve rod	4	☒
19	180101	OR ø 17,5x2	O-Ring	5	☒
20	392600	Niples sede 20x1,5	Threaded adapter	4	☒
21	640070	OR ø 13,95x2,62	O-Ring	4	☒
22	392580	Forcella	Fork	4	
	392870	Portagomma ø 10	Hose tail	4	
	392590	Portagomma ø 12	Hose tail	4	
	392620	Portagomma ø 20	Hose tail	4	
24	390291	OR ø 28,25x2,62	O-Ring	5	☒
30	480550	Anello seeger	Circlip	1	
31	394790	Manopola regolazione	Adjustment knob	1	
32	394770	Perno compr. molla	Spring pin	1	
33	1040830	Molla	Spring	1	☒
34	390440	Dado M 6	Nut	16	C ₁₀
35	550331	Rosetta øi 6,5	Washer	12	
36	394780	Corpo superiore	Upper body	1	
37	394751	Pistone	Piston	1	
	394741	Membranina	Diaphragm	1	Gomma
	394740	Membranina	Diaphragm	1	Desmopan
	394742	Membranina	Diaphragm	1	Viton
39	394720	Valvola	Valve	1	
40	394730	Molla di contrasto	Spring	1	
41	394830	Prigioniero M 6x34	Stud	8	C ₆
42	680700	Vite TCEI M 6x20	Bolt	1	☉
43	394700	Corpo valvola reg.	Regulating valve body	1	
44	395530	Forcella	Fork	5	
45	394800	Attacco manometro	Pressure gauge attach.	1	
46	550450	Girello 3/4" G	Ring nut	1	
47	391240	Manometro ø 63	Pressure gauge	1	0-24 bar ☉
48	660170	OR ø 31,42x2,62	O-Ring	3	☒
49	394810	Flangia entrata	Flange	1	
50	550350	OR ø 23,81x2,62	O-Ring	4	☒
51	550242	Girello 1" G	Ring nut	2	
52	550210	Tubetto ø 25	Hose tail	2	
53	394840	Flangia chiusura	Flange	1	
54	550340	Niples 1"G(M)-1"G(M)	Threaded adapter	1	
55	550370	Curva ø 25	Elbow	1	
56	395000	Niples collettore	Manifold nipples	2	
57	395520	Collettore corpo reg.	Body manifold	1	
58	390060	OR ø 20,63x2,62	O-Ring	1	
59	395020	Coll. corpo principale	Body manifold	1	
60	394870	Tappo chiusura lat.	Plug	1	
61	770260	OR ø 23,52x1,78	O-Ring	1	
70	392120	Spina elastica	Pin	1	
71	880581	Tappo 1/4" G	Plug	2	C ₃
84	395390	Dado M6	Nut	1	C ₁₀
96	396100	Coperchio filtro	Filter cover	1	
97	395081	OR ø 47,30x2,62	O-Ring	1	Viton ☒
98	395071	Guarnizione filtro	Filter gasket	2	
99	396110	Filtro interno	Internal filter	1	
100	396130	Rete esterna	External grid	1	
101	395030	Scatola filtro	Filter box	1	
102	394820	Staffa	Bracket	1	
103	770130	OR ø 20,35x1,78	O-Ring	1	☒
104	392330	Prigioniero M 6x30	Stud	8	C ₁₀
105	850730	Forcella	Fork	1	

Pos.	Cod.	Descrizione	Description	Q.ty	Note
106	1660560	Leva comando	Control lever	1	
108	1660020	Asta valvola	Complete valve rod	1	
109	480561	OR ø 6,85x1,78	O-Ring	2	Viton ☒
110	1660010	Corpo valvola reg.	Main valve	1	
111	1660230	OR ø 13x2	O-Ring	1	
112	1660541	Molla	Spring	1	
113	1660050	Valvola aliment.barra	Feed rod valve	1	
114	1660090	Molla	Spring	1	
115	1660080	Guida com. risucchio	Guide	1	
116	393790	Rosetta øi 6,4	Washer	1	
117	1660060	Flangia risucchio	Flange	1	
	1660100	Sede risuc. ø 7 Rosso	Red seat	1	Vedi/See ●
	1660110	Sede risuc. ø 9 Arancio	Orange seat	1	Vedi/See ▲
	1660120	Sede risuc. ø 10,5 Blu	Blue seat	1	Vedi/See ■
119	1660140	Rondella	Washer	1	
120	1660551	OR ø 7x2	O-Ring	1	Viton
129	396590	Tappo 3/8" G+guarn.	Plug & gasket	1	☉

Nota: Le quantità espresse sono riferite alla versione a 4 rubinetti
Note: The quantities refer to the 4 valves version

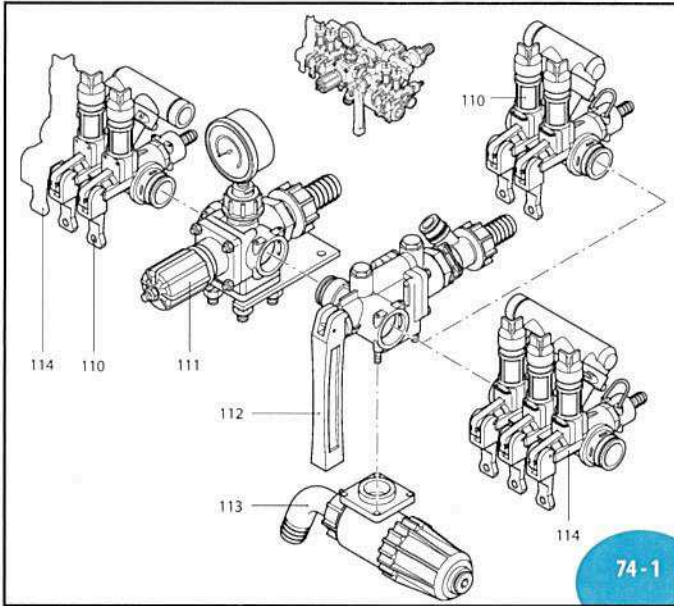
● Per/For: AR 70 bp	● Per/For: AR 60 bp
▲ Per/For: AR 115-135 bp - AR 125-145 bp	▲ Per/For: AR 100 bp - AR 120 bp
■ Per/For: AR 160 bp	■ Per/For: AR 150 bp



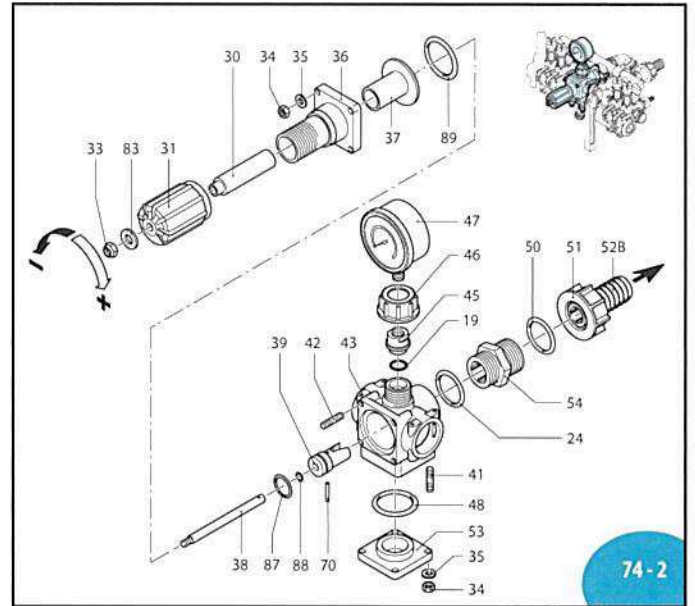
KIT 2346 OR O-Rings			
Pos.	Q.ty	Pos.	Q.ty
14	5	109	2
19	7	111	1
21	5	120	1
24	5		
48	3		
50	4		
58	1		
61	1		
97	1		
103	1		

KIT 2339 Pronto intervento Maintenance repair			
Pos.	Q.ty	Pos.	Q.ty
12	2	60	1
14	5	61	1
18	2	98	2
24	5	106	1
38	1	109	2
39	1	113	1
44	1	115	1
51	1	120	1
55	1		
58	1		

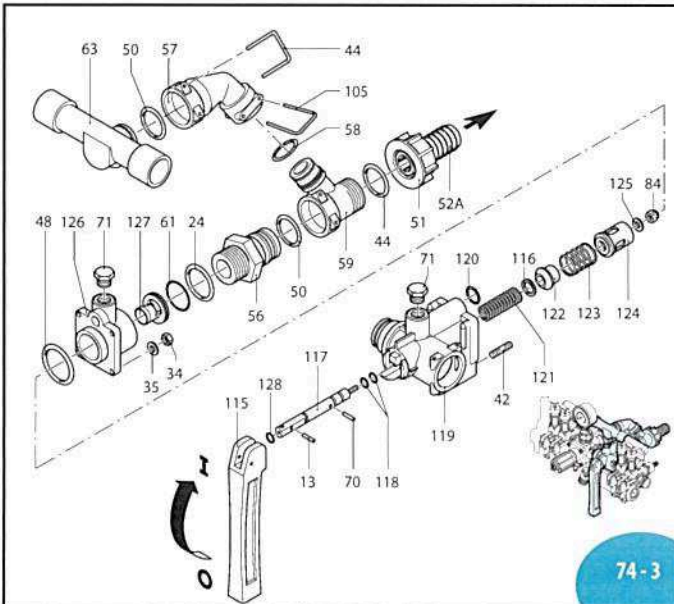
Gruppi comando



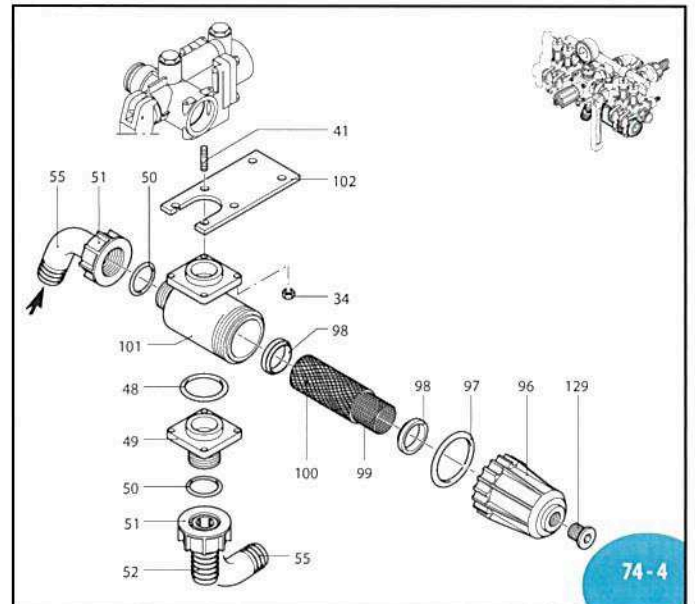
UN970187-DD



UN970188-DD



UN970189-DD



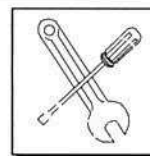
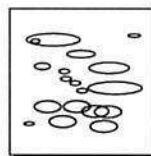
IDROMINUS

Pos.	Cod.	Descrizione	Description	Q.ty	Note
1	395430	Reg. scarico pressione	Press.discharge adjust.	4	
2	395590	OR ø 8x2,5	O-Ring	4	▶
3	395420	Deviatore	Body	4	
5	395410	Forcella	Fork	4	
10	395400	Corpo rubinetto 2 vie	2-way valve body	2	
11	395470	Valvola chiusura	Valve	4	
12	394690	Leva rubinetto rossa	Red valve lever	4	
13	390330	Spina elastica	Pin	5	
14	390341	OR ø 5x2	O-Ring	4	
15	393790	Rosetta øi 6,4	Washer	4	
16	395480	Molla	Spring	4	
17	390313	Rosetta øi 9	Washer	8	
18	395450	Asta valvola completa	Complete valve rod	4	
19	180101	OR ø 17,5x2	O-Ring	5	
20	392600	Niples sede 20x1,5	Threaded adapter	4	
	392604	Tappo	Plug	-	Optional
21	640070	OR ø 13,95x2,62	O-Ring	8	▶
22	392580	Forcella	Fork	4	
	392870	Portagomma ø 10	Hose tail	4	
	392590	Portagomma ø 12	Hose tail	4	
	392620	Portagomma ø 20	Hose tail	4	
24	390291	OR ø 28,25x2,62	O-Ring	7	▶
25	395490	Rosetta øi 6	Washer	4	
26	1080190	OR ø 2,90x1,78	O-Ring	4	
27	393300	Spina elastica	Pin	4	
30	395560	Distanziale	Spacer	1	
31	394790	Manopola regolazione	Adjustment knob	1	
33	391560	Dado M 6 H 8	Nut	1	
34	390440	Dado M 6	Nut	16	
35	550331	Rosetta øi 6,5	Washer	12	
36	394780	Corpo superiore	Upper body	1	⊗
37	395570	Centraggio	Spigot	1	⊗
38	395541	Asta valvola	Complete valve rod	1	
39	395551	Valvola volumetrica	Volumetric valve	1	
40	395460	Molla	Spring	4	
41	394830	Prigioniero M 6x34	Stud	8	
42	392330	Prigioniero M 6x30	Stud	8	
43	394700	Corpo valvola reg.	Regulating valve body	1	
44	395530	Forcella	Fork	7	
45	394800	Attacco manometro	Pressure gauge attach.	1	
46	550450	Girello 3/4" G	Ring nut	1	
47	391240	Manometro ø 63	Pressure gauge	1	0-24bar ⊕
48	660170	OR ø 31,42x2,62	O-Ring	3	
49	394810	Flangia entrata	Flange	1	
50	550350	OR ø 23,81x2,62	O-Ring	5	▶
51	550242	Girello 1" G	Ring nut	3	
52	550210	Tubetto ø 25	Hose tail	3	
53	394840	Flangia chiusura	Flange cover	1	
54	550340	Niples 1"G(M)-1"G(M)	Threaded adapter	1	
55	550370	Curva ø 25	Elbow	1	
56	395000	Niples collettore	Manifold nipples	1	
57	395520	Collettore corpo reg.	Body manifold	1	
58	390060	OR ø 20,63x2,62	O-Ring	3	
59	395020	Coil. corpo principale	Body manifold	1	
60	395440	Tappo chiusura lat.	Plug	2	
61	770260	OR ø 23,52x1,78	O-Ring	1	
62	395500	Collettore laterale 2vie	2-way lateral manifold	2	
63	395510	Collettore centrale	Central manifold	1	
64	395580	Biforcella	Fork	2	
70	392120	Spina elastica	Pin	2	
71	880581	Tappo 1/4" G	Plug	2	⊗ C ₁₀
73	390080	OR ø 11,91x2,62	O-Ring	4	▶
83	392551	Rosetta øi 6	Washer	1	
84	395390	Dado M6	Nut	1	
87	880830	OR ø 15,54x2,62	O-Ring	1	
88	480480	OR ø 4,48x1,78	O-Ring	1	
89	1660580	OR ø 40,95x2,62	O-Ring	1	
90	395760	Collettore laterale 3vie	3-way lateral manifold	2	
91	395770	Corpo rubinetto 3 vie	3-way valve body	2	
96	396100	Coperchio filtro	Filter cover	1	
97	395081	OR ø 47,30x2,62	O-Ring	1	Viton
98	395071	Guarnizione filtro	Filter gasket	2	

Pos.	Cod.	Descrizione	Description	Q.ty	Note
99	396110	Filtro interno	Internal filter	1	
100	396130	Rete esterna	External grid	1	
101	395030	Scatola filtro	Filter box	1	
102	394820	Staffa	Bracket	1	
105	850730	Forcella	Fork	1	
110	1452	Gruppo rubinetto 2vie	2-way valve	2	Uscita/Outlet ø 12
111	1450	Valvola reg. completa	Compl.reg.valve	1	
112	1351	Corpo distributore+R	Distributor body+R	1	
113	1553	Gruppo filtro compl.	Complete filter	1	
114	1451	Gruppo rubinetto 3vie	3-way valve	2	Uscita/Outlet ø 12
115	1660560	Leva comando	Control lever	1	
116	1660140	Rosetta øi 10,5	Washer	1	
117	1660020	Asta valvola	Complete valve rod	1	⊗
118	480561	OR ø 6,85x1,78	O-Ring	2	⊗
119	1660010	Corpo valvola reg.	Main valve	1	
120	1660230	OR ø 13x2	O-Ring	1	
121	1660541	Molla	Spring	1	
122	1660050	Valvola aliment.barra	Feed rod valve	1	
123	1660090	Molla	Spring	1	
124	1660080	Guida comando risuc.	Guide	1	
125	393790	Rosetta øi 6,4	Washer	1	
126	1660060	Flangia risucchio	Flange	1	
127	1660100	Sede risuc. ø 7 Rosso	Red seat	1	Vedi/See ●
	1660110	Sede risuc. ø 9 Arancio	Orange seat	1	Vedi/See ▲
	1660120	Sede risuc. ø 10,5 Blu	Blue seat	1	Vedi/See ■
128	1660551	OR ø 7x2	O-Ring	1	Viton
129	396590	Tappo 3/8" G+guarn.	Plug & gasket	1	⊗ C ₁₀

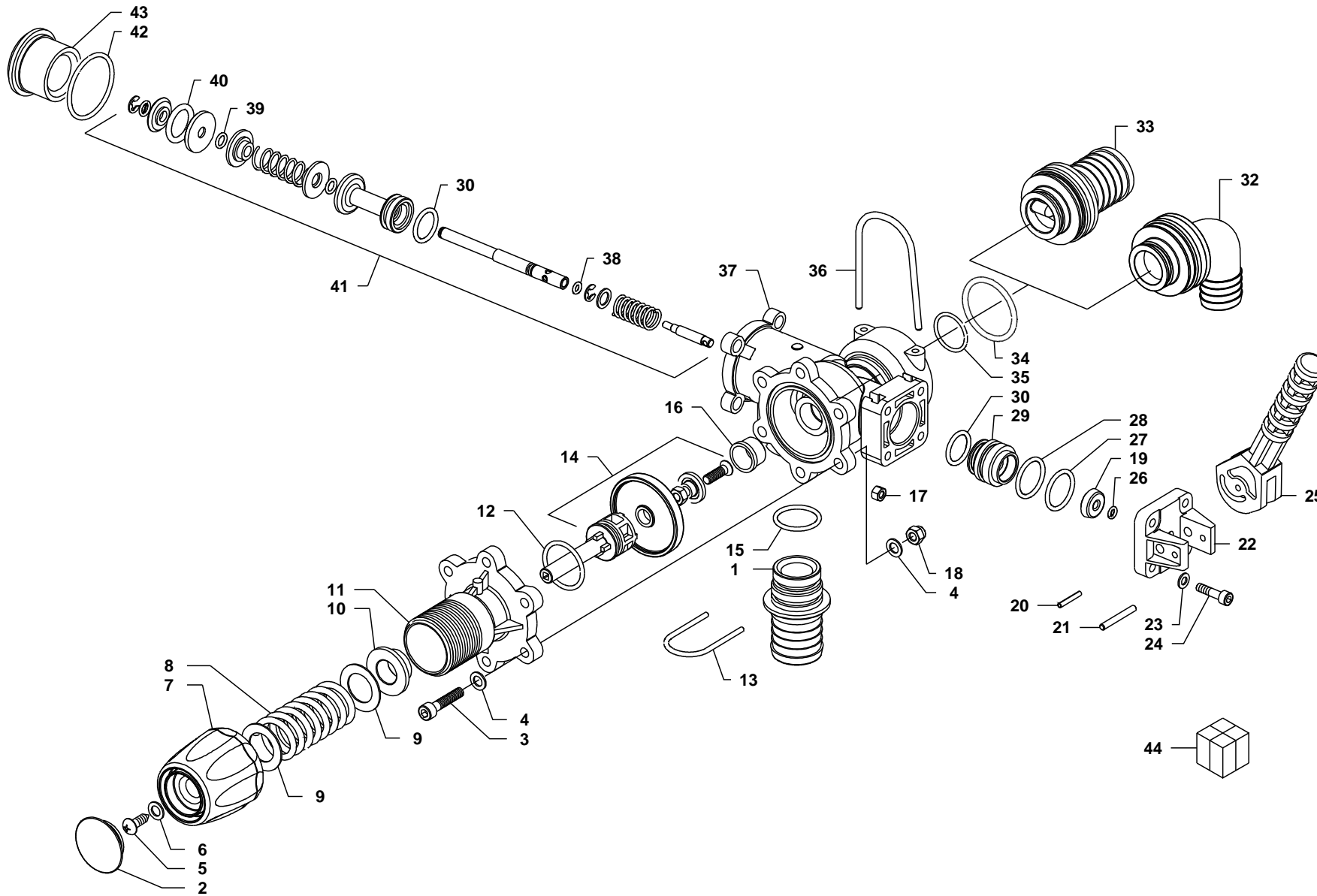
Nota: Le quantità espresse sono riferite alla versione a 4 rubinetti
Note: The quantities refer to the 4 valves version

- Per/For: AR 70 bp
- Per/For: AR 60 bp
- ▲ Per/For: AR 115-135 bp - AR 125-145 bp
- ▲ Per/For: AR 100 bp - AR 120 bp
- Per/For: AR 160 bp
- Per/For: AR 150 bp

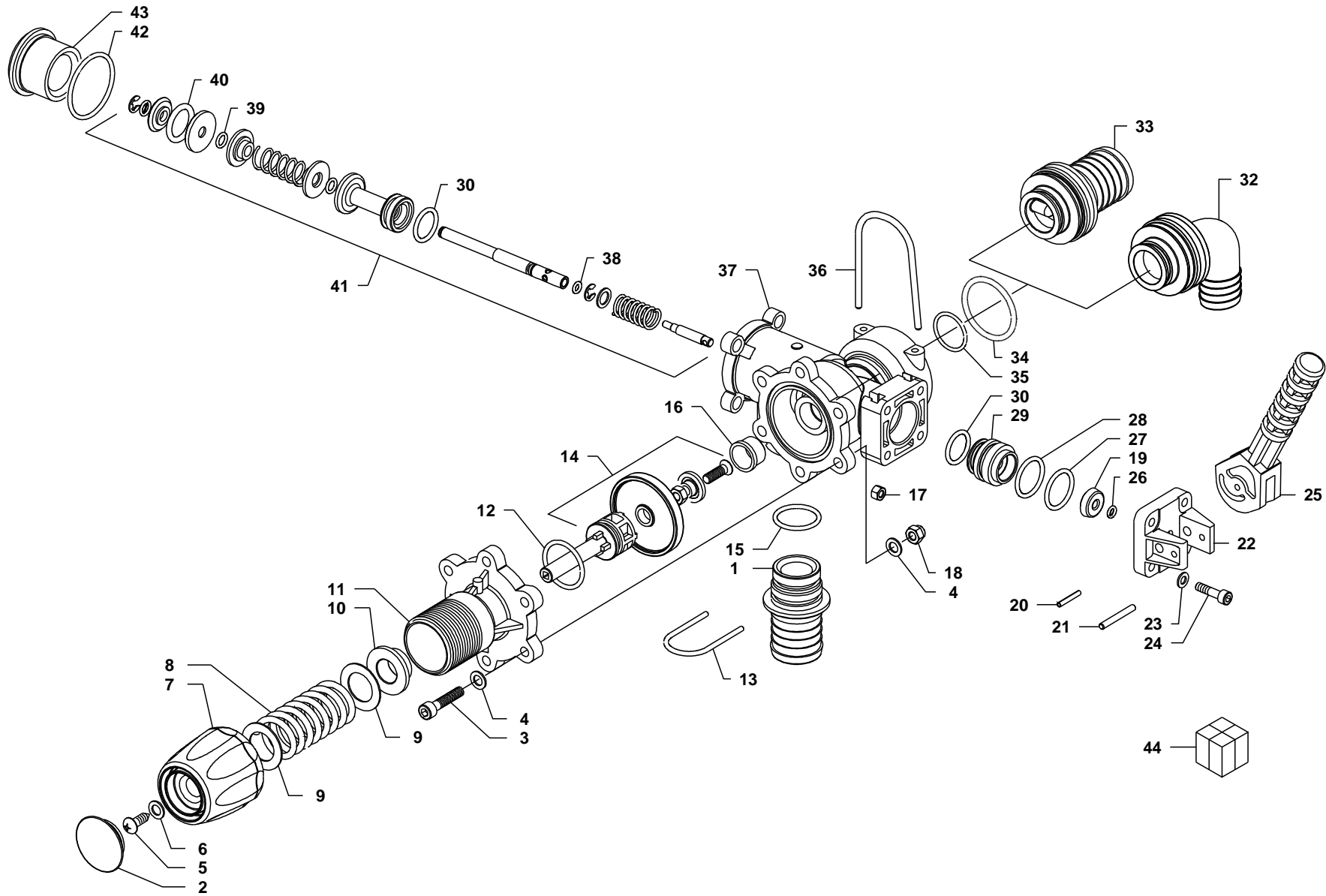


KIT 2334 OR O-Rings			
Pos.	Q.ty	Pos.	Q.ty
2	4	87	1
14	4	88	1
19	5	89	1
21	8	97	1
24	7	118	2
26	4	120	1
48	3	128	1
50	5		
58	3		
61	1		
73	4		

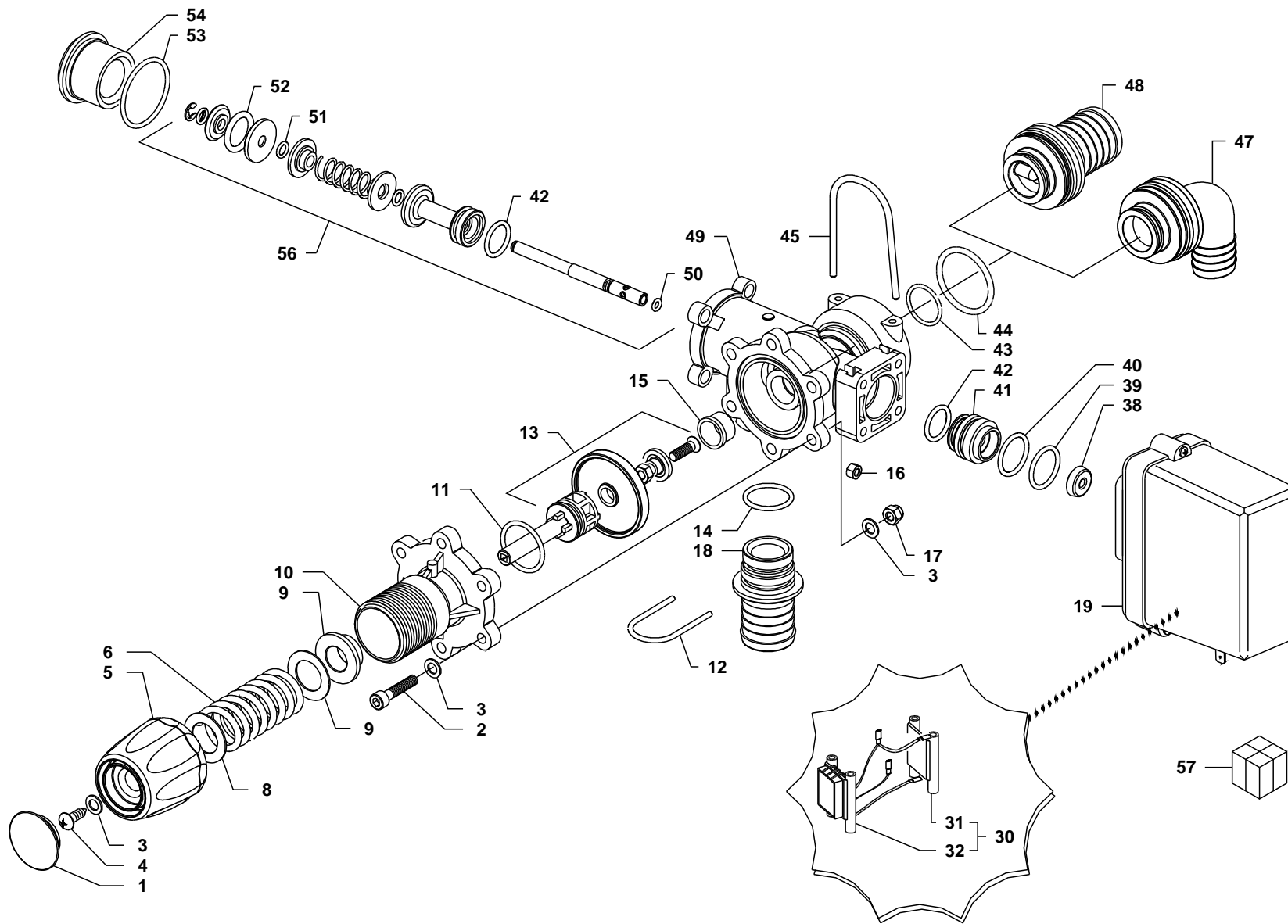
KIT 2335 Pronto intervento Maintenance repair			
Pos.	Q.ty	Pos.	Q.ty
2	4	60	1
11	2	61	1
12	2	73	4
14	4	87	1
18	4	98	2
22	2	115	1
24	7	118	2
39	1	122	1
51	1	124	1
55	1	128	1
58	3		



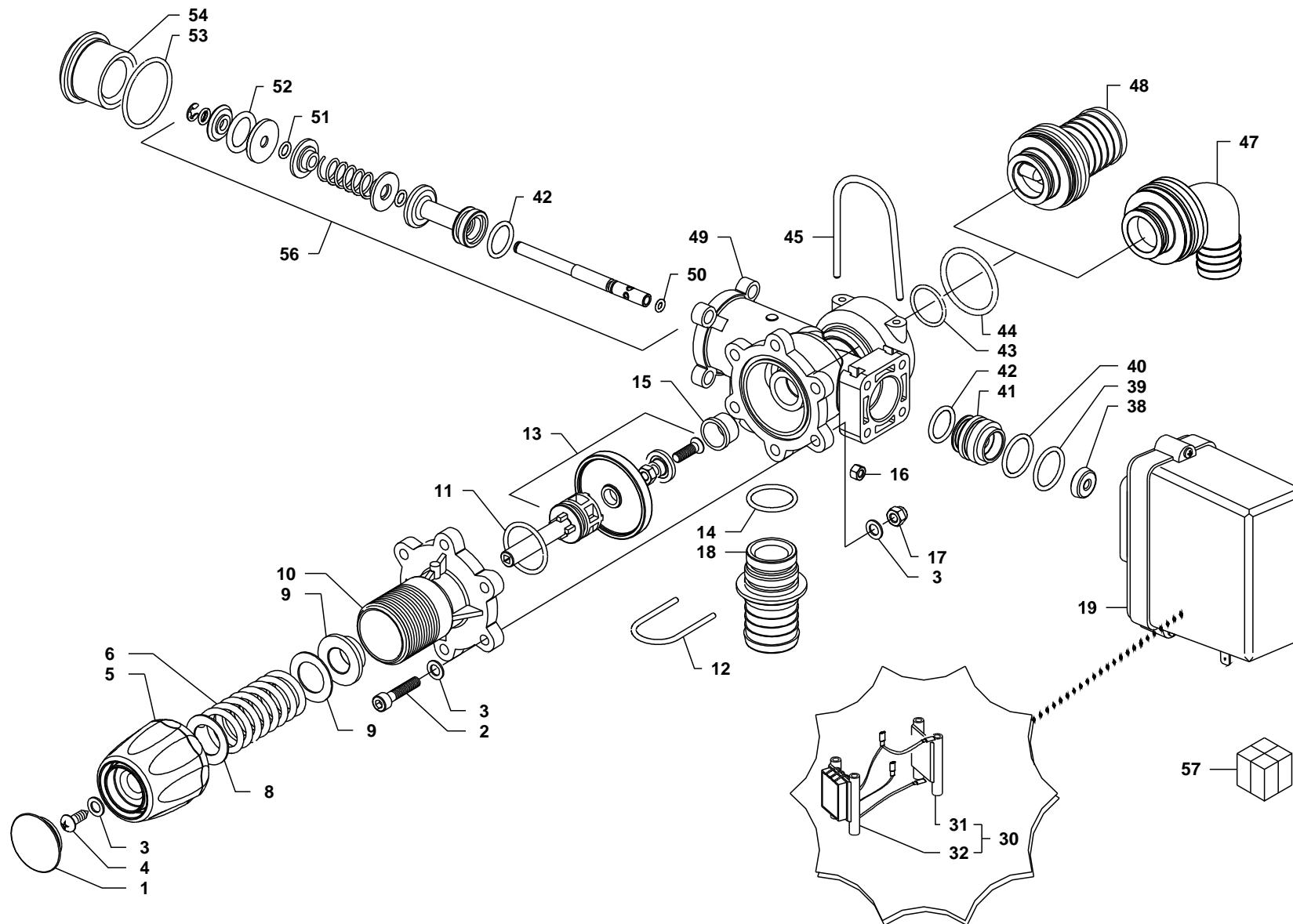
1	GGA473001.119	D= 19mm
1	GGA473001.125	D= 25mm
1	GGA473001.130	D= 30mm
1	GGA473001.132	D= 32mm
1	A- 473001.245N	1" NPT F
1	A- 473001.240	G 1" M
1	GGA473001.250	G 1" 1/4 M
2	A- 4542237.054	10 bar
2	BG002500	20 bar
2	A- 4542237.058	30 bar
3	A- V1C14K	
4	A- B201F0	
5	GGA00V2B26G	
6	A- B202F0	
7	A- 471501.170	10 bar
7	BG002498	20 bar
7	A- 471503.170	30 bar
8	A- 471501.120	10 bar
8	A- 471502.120	20 bar
8	A- 471503.120	30 bar
9	A- 471502.135	
10	A- 471502.130	
11	A- 471502.110	10-20 bar
11	A- 471503.110	30 bar
12	A- G10041V	
13	A- 461511.040	
14	A- 471502.180	
15	A- 4062000.060V	
16	A- 471202.012	
17	A- B10132	
18	A- B12141	
19	GGA465900.180	
20	A- B4313H	
21	A- 461202.090	
22	GGA461202.020	
23	A- B201E0	
24	A- V1C13I	
25	BG004126	
26	A- G11019V	
27	GGA465900.060	
28	GGA465005.140V	
29	A- 471202.011	
30	A- 004500.070V	
32	GGA471202.425	D= 25mm
32	A- 471202.430	D= 30mm
33	A- 471202.140	Blu / blue
33	A- 471202.141	Verde / Green
33	A- 471202.143	Verde / Green
33	A- 471202.145	Rosso / Red
33	GGA471202.325	D= 25mm



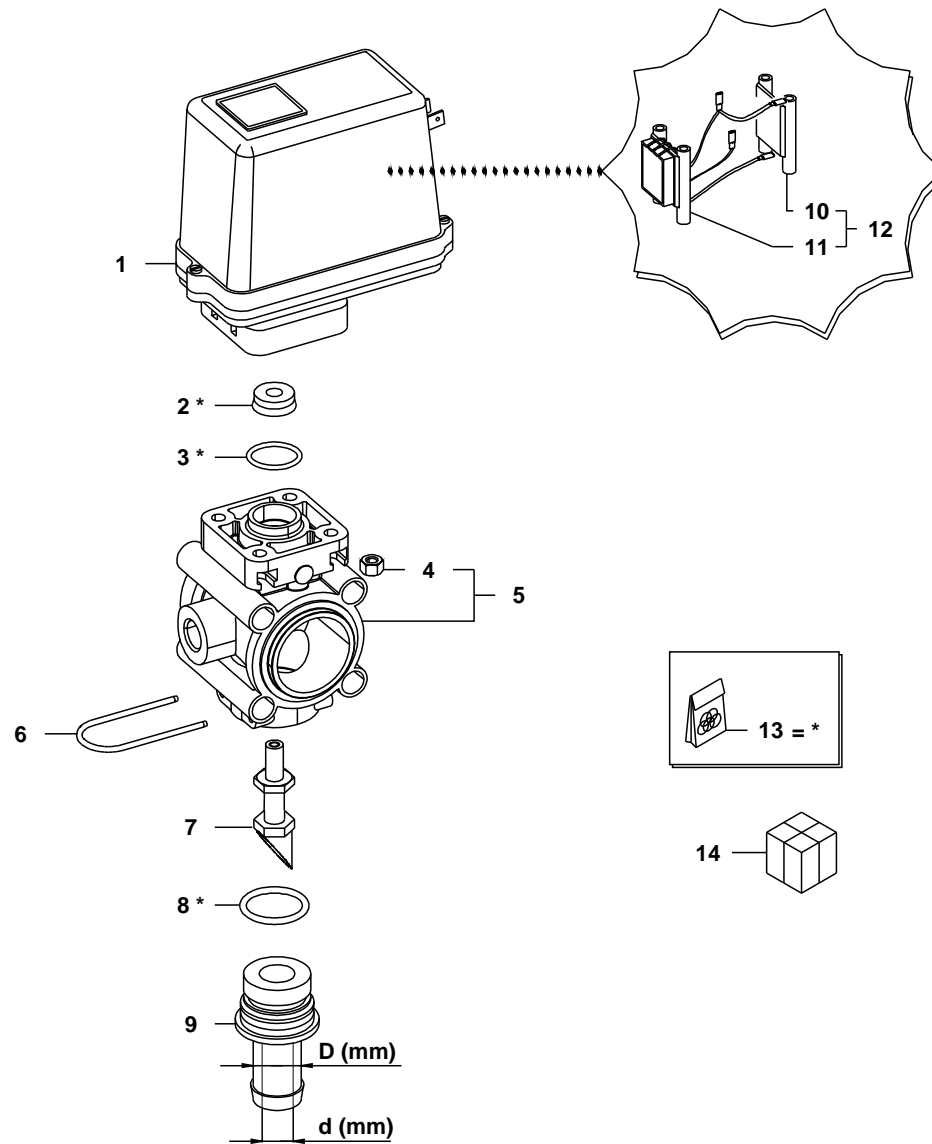
←		
33	A-	471202.330
33	A-	471202.332
33	A-	471202.335
34		GGA460000.210V
35		GGA00G10051V
36		GGA460000.230
37		GGA471502.010
38		GGA00G11013V
39		GGA465910.070V
40	A-	G11028V
41	A-	471202.550
42		GGA00G10071V
43	A-	471202.028
43	A-	471202.029
44		BG013367
		D=30mm
		D=32mm
		D=35mm
		F
		M



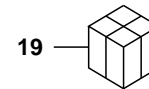
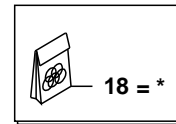
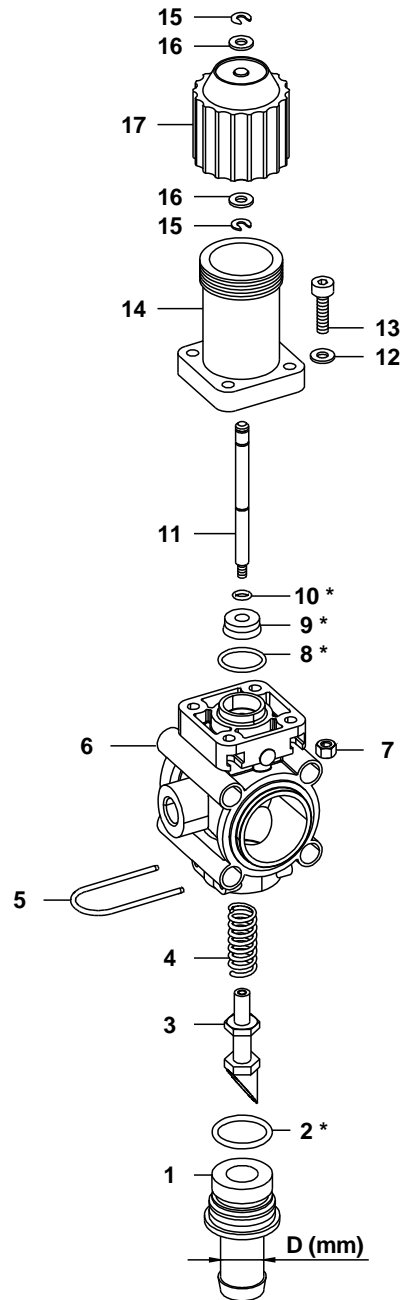
1	A- 4542237.054	10 bar
1	BG002500	20 bar
1	A- 4542237.058	30 bar
2	A- V1C24K	
3	A- B202F0	
4	GGA00V2B26G	
5	A- 471501.170	10 bar
5	BG002498	20 bar
5	A- 471503.170	30 bar
6	A- 471501.120	10 bar
6	A- 471502.120	20 bar
6	A- 471503.120	30 bar
8	A- 471502.135	
9	A- 471502.130	
10	A- 471502.110	10-20 bar
10	A- 471503.110	30 bar
11	A- G10041V	
12	A- 461511.040	
13	A- 471502.180	
14	A- 4062000.060V	
15	A- 471202.012	
16	A- B10232	
17	A- B12241	
18	GGA473001.119	D= 19mm
18	GGA473001.125	D= 25mm
18	GGA473001.130	D= 30mm
18	GGA473001.132	D= 32mm
18	A- 473001.245N	1" NPT F
18	A- 473001.240	G 1" M
18	GGA473001.250	G 1" 1/4 M
19	BG004017	
30	GGA4652900.020	
31	A- 4652900.021	
32	A- 4652900.025	
38	GGA465900.180	
39	GGA465900.060	
40	GGA465005.140V	
41	A- 471202.011	
42	A- 004500.070V	
43	GGA00G10051V	
44	GGA460000.210V	
45	GGA460000.230	
47	GGA471202.425	D= 25mm
47	A- 471202.430	D= 30mm
48	A- 471202.140	Blu / blue
48	A- 471202.141	Verde / Green
48	A- 471202.143	Verde / Green
48	A- 471202.145	Rosso / Red
48	GGA471202.325	D= 25mm
48	A- 471202.330	D= 30mm



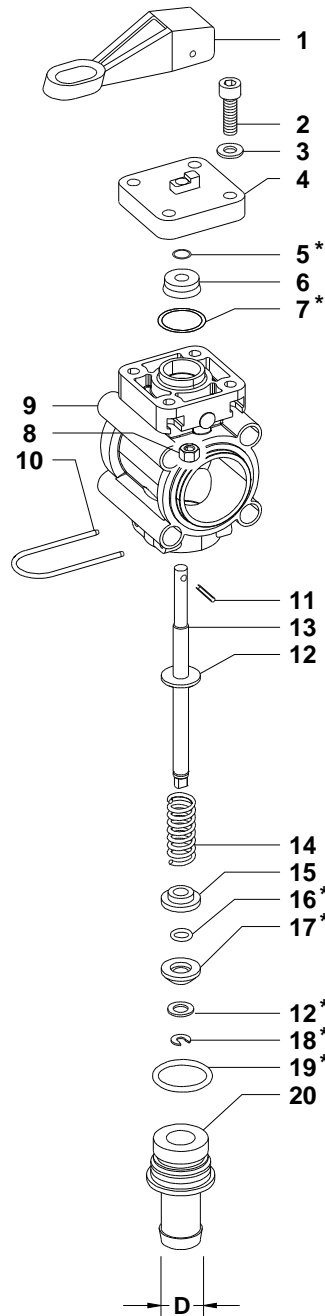
48	A- 471202.332	D=32mm
48	A- 471202.335	D=35mm
49	GGA471502.010	
50	GGA00G11013V	
51	GGA465910.070V	
52	A- G11028V	
53	GGA00G10071V	
54	A- 471202.028	(F)
54	A- 471202.029	(M)
55	A- 463911.100	
56	A- 471502.550	
57	BG013045	



1	GGA004653925	
2	GGA465900.180	
3	GGA465900.060	
4	A-B10232	
5	A-4631001.010	
6	GGA462300.040	
7	A-463020.130	GGA00463020
7	GGA463022.130	GGA00463022
7	A-463024.130	GGA00463024
8	GGA465005.140V	
9	GGA463001.119	d=14 D=19
9	GGA463001.125M	d=14 D=25
9	A-463022.113	d=10 D=13
9	A-463001.125	d=16 D=25
10	A-4652900.021	
11	A-4652925.025	
12	A-4652925020	
13	GGA463020.500	
14	GGA00463020	100 l/min
14	GGA00463022	60 l/min
14	GGA00463024	150 l/min

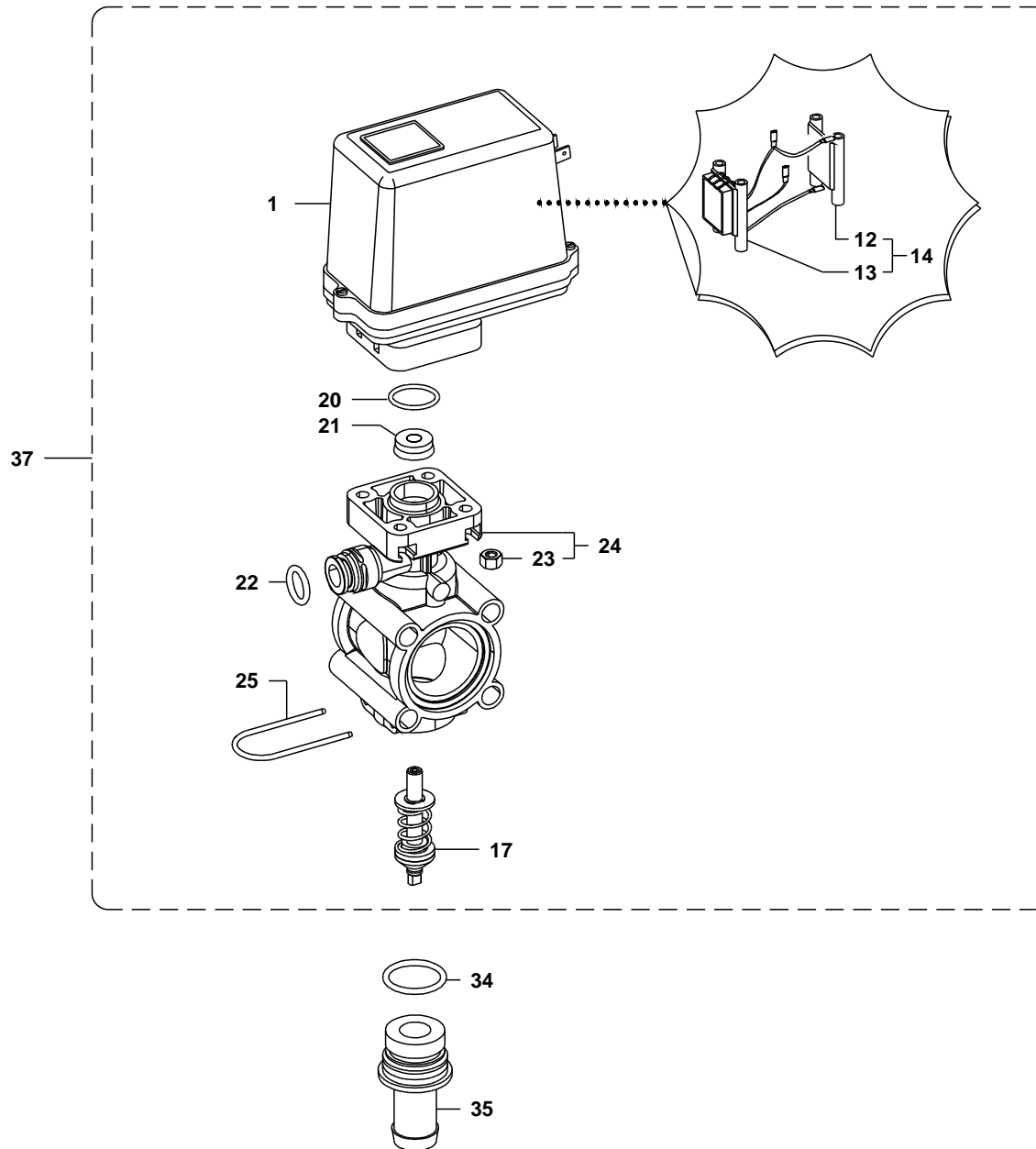


1	GGA463001.125M	D=25 (463070)
1	A- 463022.113	D=13 (463072)
1	GGA463001.125	D=25 (463074)
2	GGA465005.140V	
3	A- 463020.130	GGA00463070
3	GGA463022.130	GGA00463072
3	A- 463024.130	GGA00463074
4	A- 471202.055	
5	GGA462300.040	
6	A- 4631001.010	
7	A- B10232	
8	GGA465900.060	
9	GGA465900.180	
10	A- G11019V	
11	A- 463070.140	
12	A- B202E0	
13	GGA00V1C23I	
14	A- 463070.060	
15	A- B352D0	
16	A- B202FI	
17	GGA463070.050	
18	A- 463070.500	
19	GGA00463070	100 l/min
19	GGA00463072	60 l/min
19	GGA00463074	150 l/min

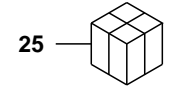
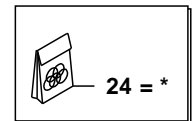
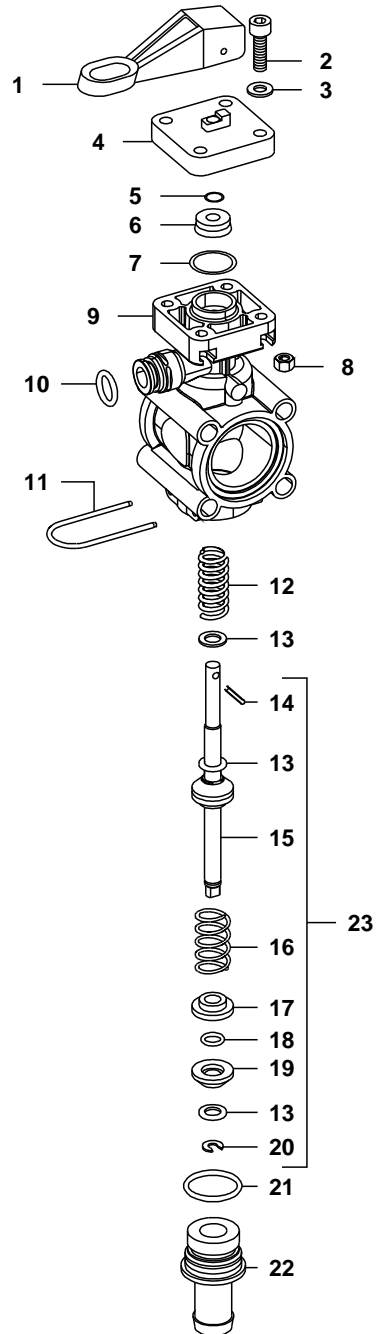


* = 22

1	GGA463051.140	
2	A- V1C13I	
3	A- B201E0	
4	A- 463051.130	
5	A- G11019V	
6	GGA465900.180	
7	GGA465900.060	
8	A- B10132	
9	BB602463001010	
10	GGA462300.040	
11	A- B4023H	
12	A- B202G0	
13	A- 463051.040	
14	A- 463051.050	
15	BB602463001030	D= 10 mm
16	GGA465910.070V	D= 13 mm
17	GGA463001.060	D= 16 mm
18	A- B352D0	D= 19 mm
19	GGA465005.140V	D= 25 mm
20	BG019226	
20	BG010589	
20	GGA463001.116	
20	GGA463001.119	
20	GGA463001.125M	
22	A- 463051.500	
23	GGA00463051	



1	BG018867	
1	BG004017	"Velox"
12	A- 4652900.021	
13	A- 4652900.025	
14	GGA4652900.020	
20	GGA465900.060	
21	GGA465900.180	
22	A- 004352.050V	
23	A- B10232	
24	GGA463011.010	
25	GGA462300.040	
33	BG009269	
34	GGA465005.140V	
35	GGA463001.110	D= 10 mm
35	GGA463001.113	D= 13 mm
35	GGA463001.116	D= 16 mm
35	GGA463001.119	D= 19 mm
35	GGA463001.125M	D= 25 mm
37	A- 463011.910	
37	A- 463011S.910	"Velox"



1	GGA463051.140	
2	A- V1C13I	
3	A- B201E0	
4	A- 463051.130	
5	A- G11019V	
6	GGA465900.180	
7	GGA465900.060	
8	A- B10132	
9	A- 4630011.010	
10	A- 004352.050V	
11	GGA462300.040	
12	A- 463051.050	
13	A- B202G0	
14	A- B4023H	
15	A- 463061.040	
16	A- 463001.050	
17	A- 463001.030	
18	GGA465910.070V	
19	GGA463001.060	
20	A- B352D0	
21	GGA465005.140V	
22	GGA463001.110	D=10 mm
22	GGA463001.113	D=13 mm
22	GGA463001.116	D=16 mm
22	GGA463001.119	D=19 mm
22	GGA463001.125M	D=25 mm
23	A- 463061.550	
24	A- 463061.500	
25	GGA00463061	

FILTRI IN LINEA FLANGIATI 463 - FLANGED LINE FILTERS FOR 463 SERIES
FILTRES BRIDES EN LIGNE POUR SERIE 463 - FILTROS EN LINEA PARA BRIDAS 463
FLANSCH-DRUCKFILTER FÜR SERIE 463 - FILTROS EM LINHA FLANGEADOS POR SERIE 463

3269113-m00

