

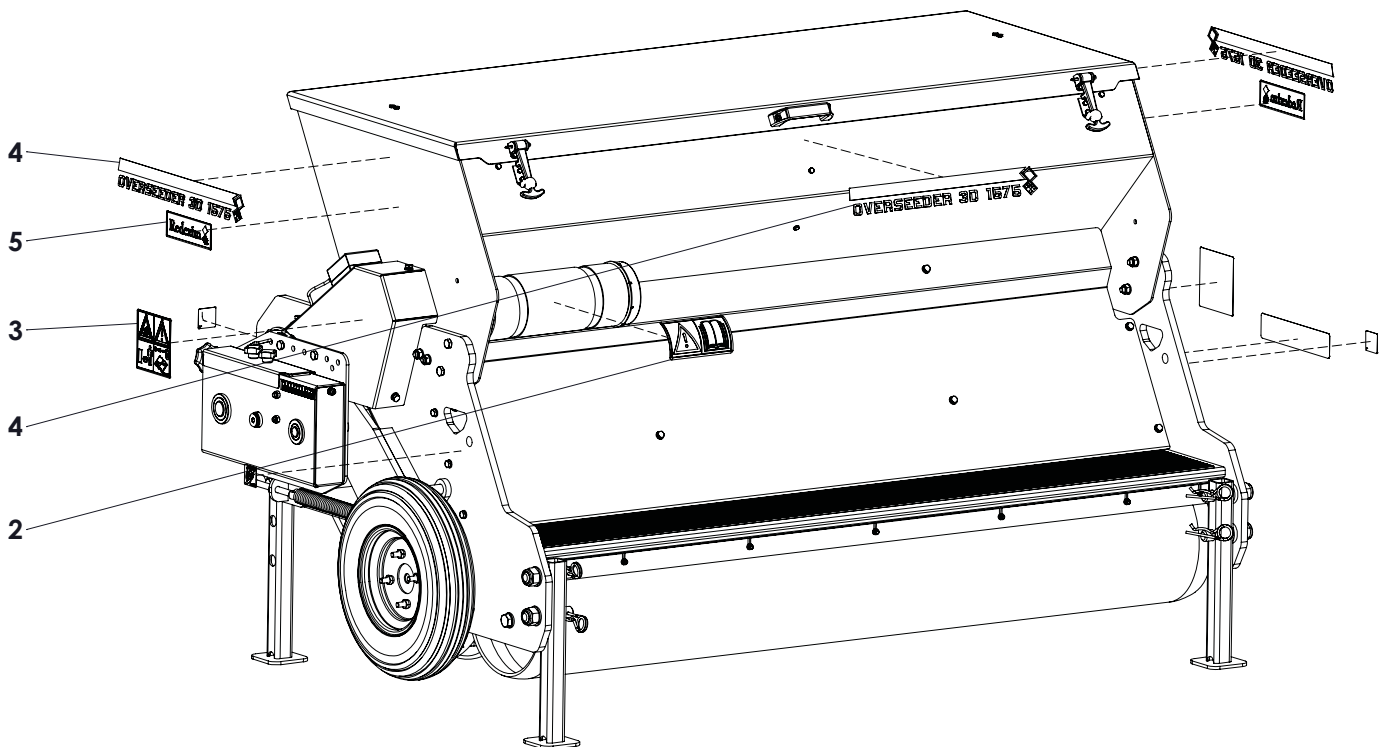
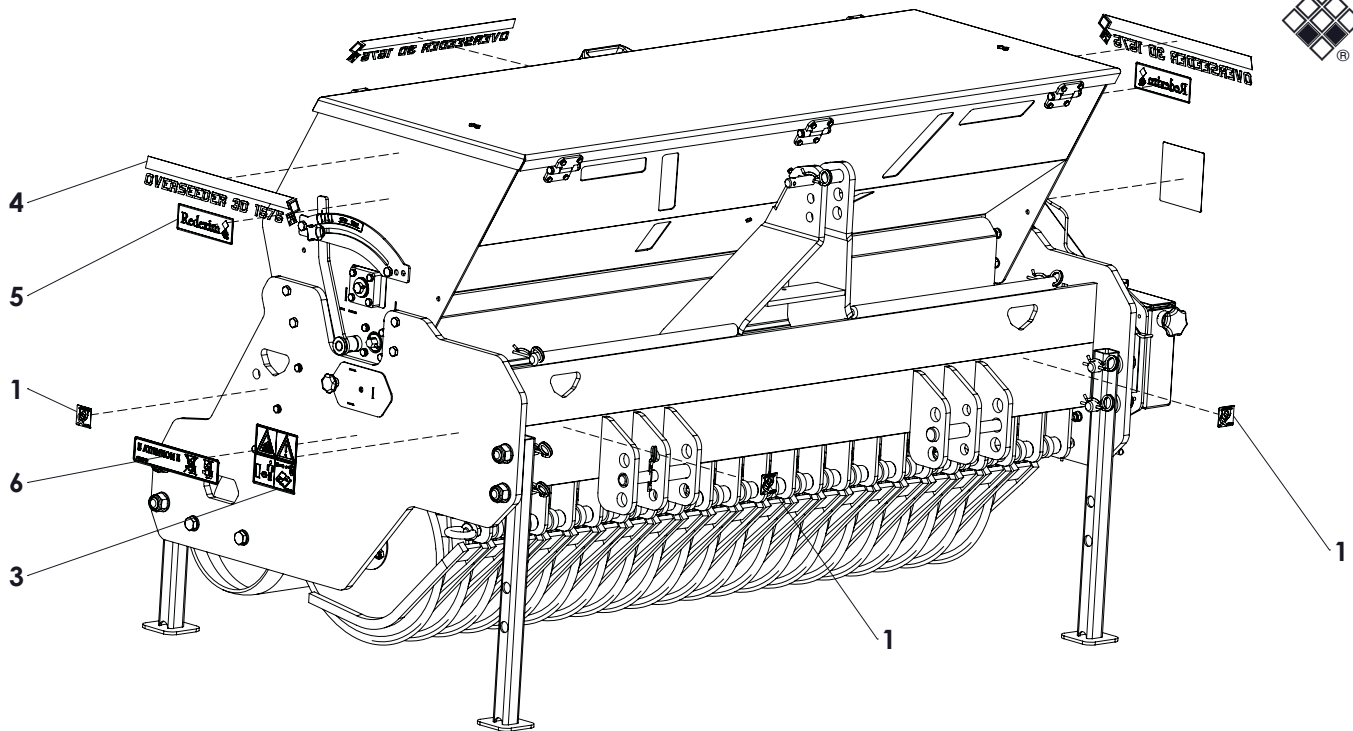
OVERSEEDER 3D 1275-1575-2075



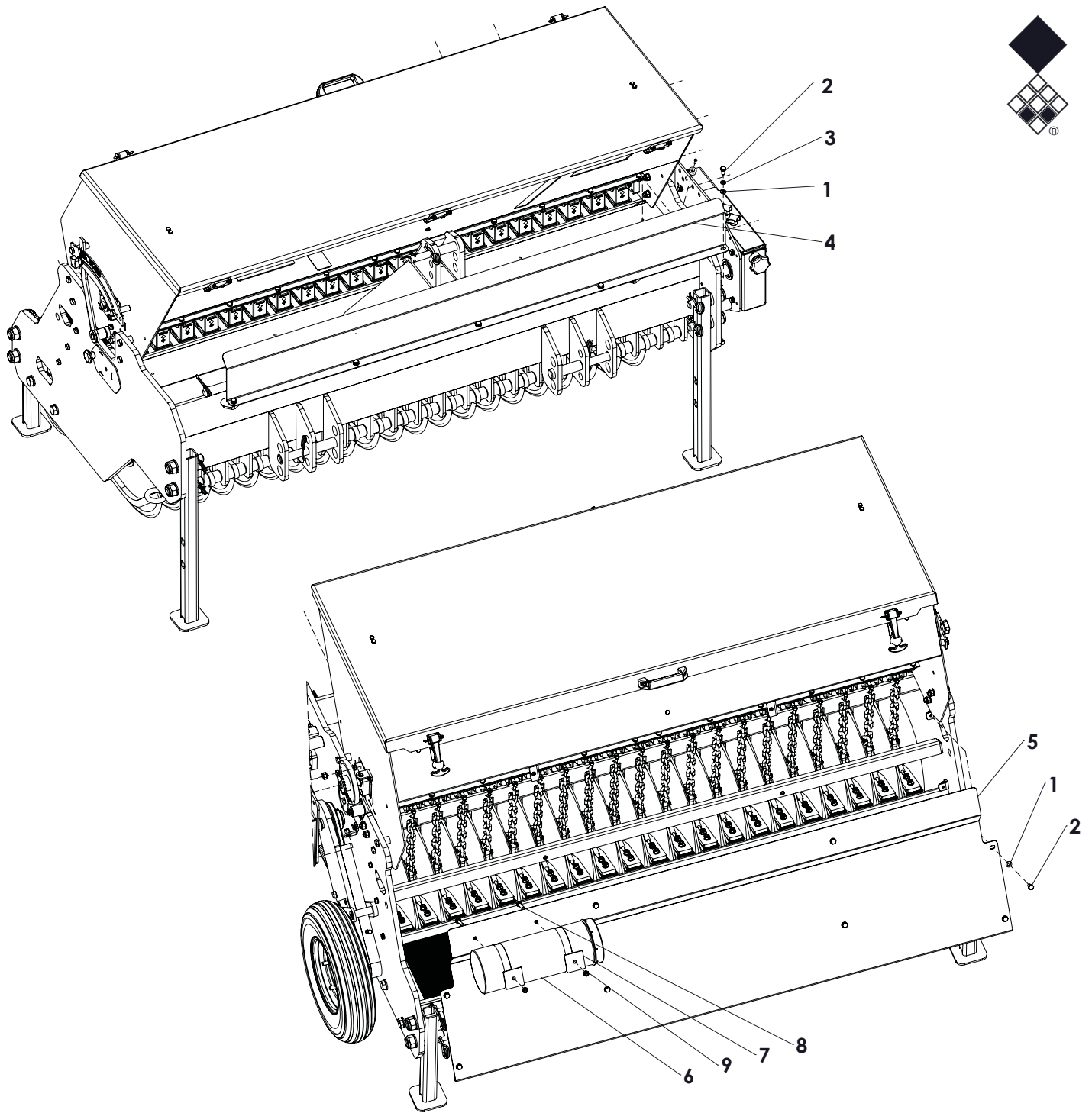
Version: 2242



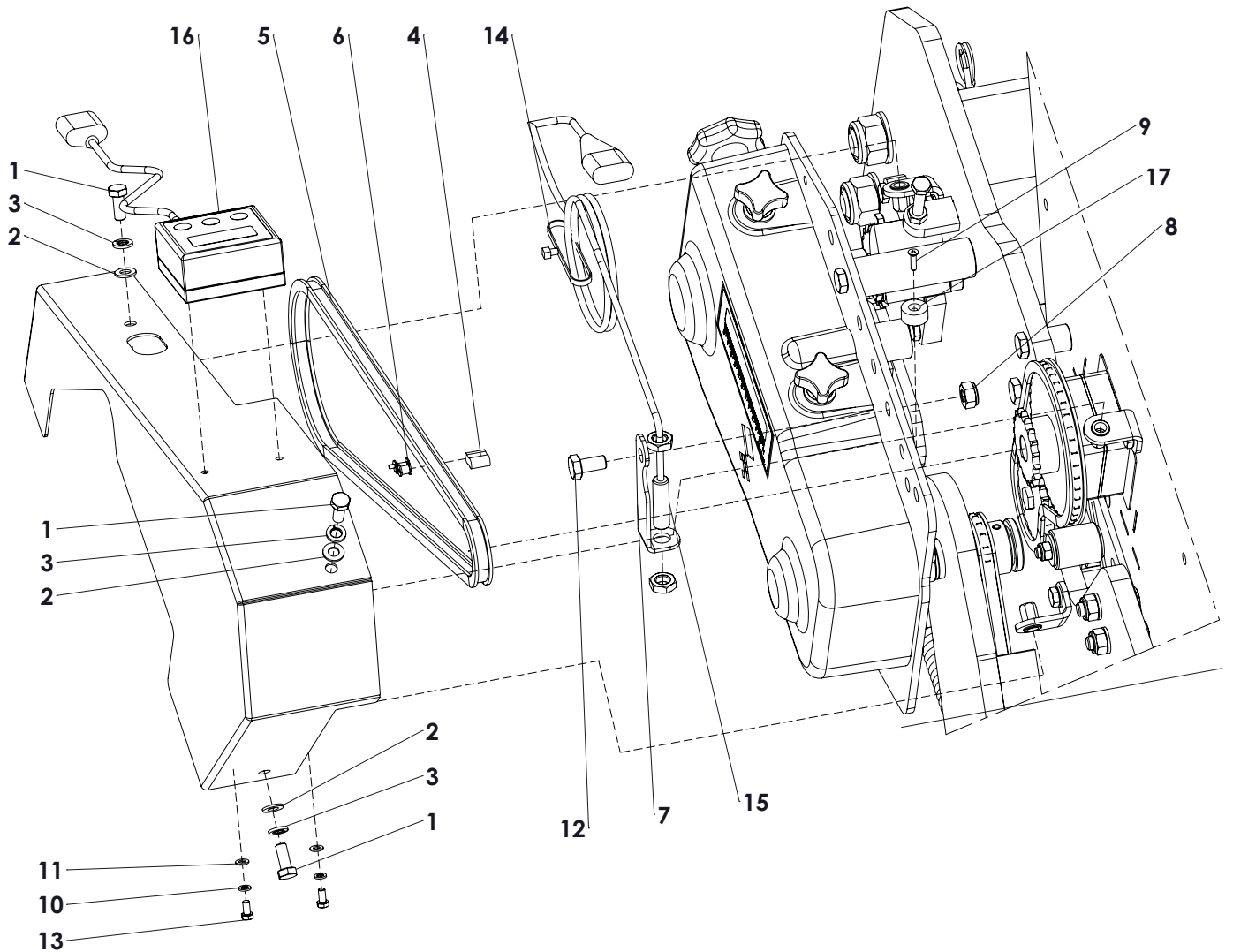
Kwekerijweg 8 | 3709JA | Zeist | The Netherlands |
T: +31 (0)306 933 227
E: redexim@redexim.com
W: www.redexim.com



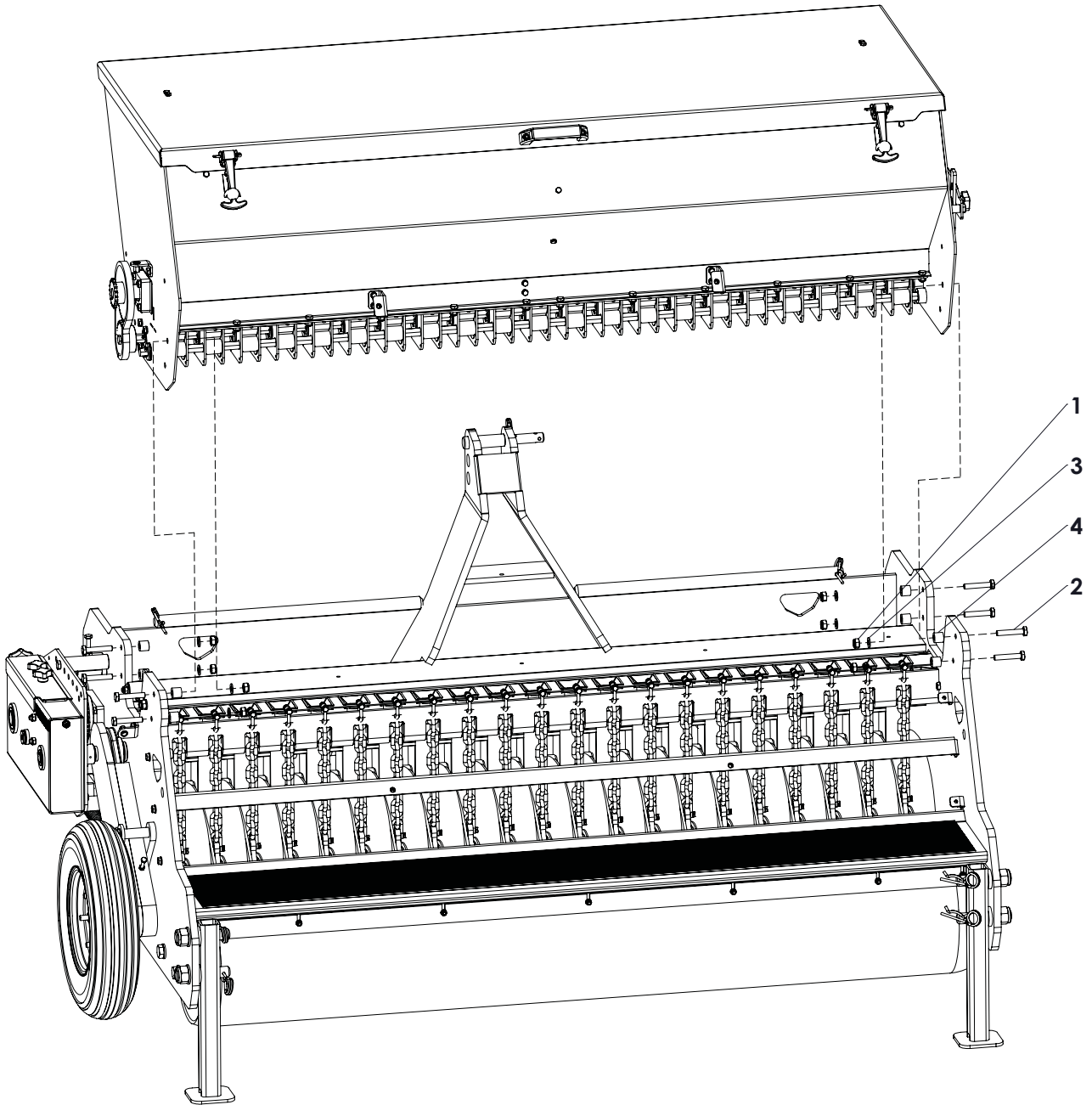
ITEM	PART NUMBER	DESCRIPTION	REMARKS	QUA 1275	QUA 1575	QUA 2075
1	922.340.008	Decall fixation point		4	4	4
2	900.280.402	Safety decall manual		1	1	1
3	921.280.402	Safety decall VS		2	2	2
4	922.260.429	Label Overseeder 1575A		0	3	0
	922.260.431	Label Overseeder 1275A		3	0	0
	922.260.432	Label Overseeder 2075A		0	0	3
5	900.260.401	Logo Label		2	2	2
6	922.280.000	Decall funnel		1	1	1



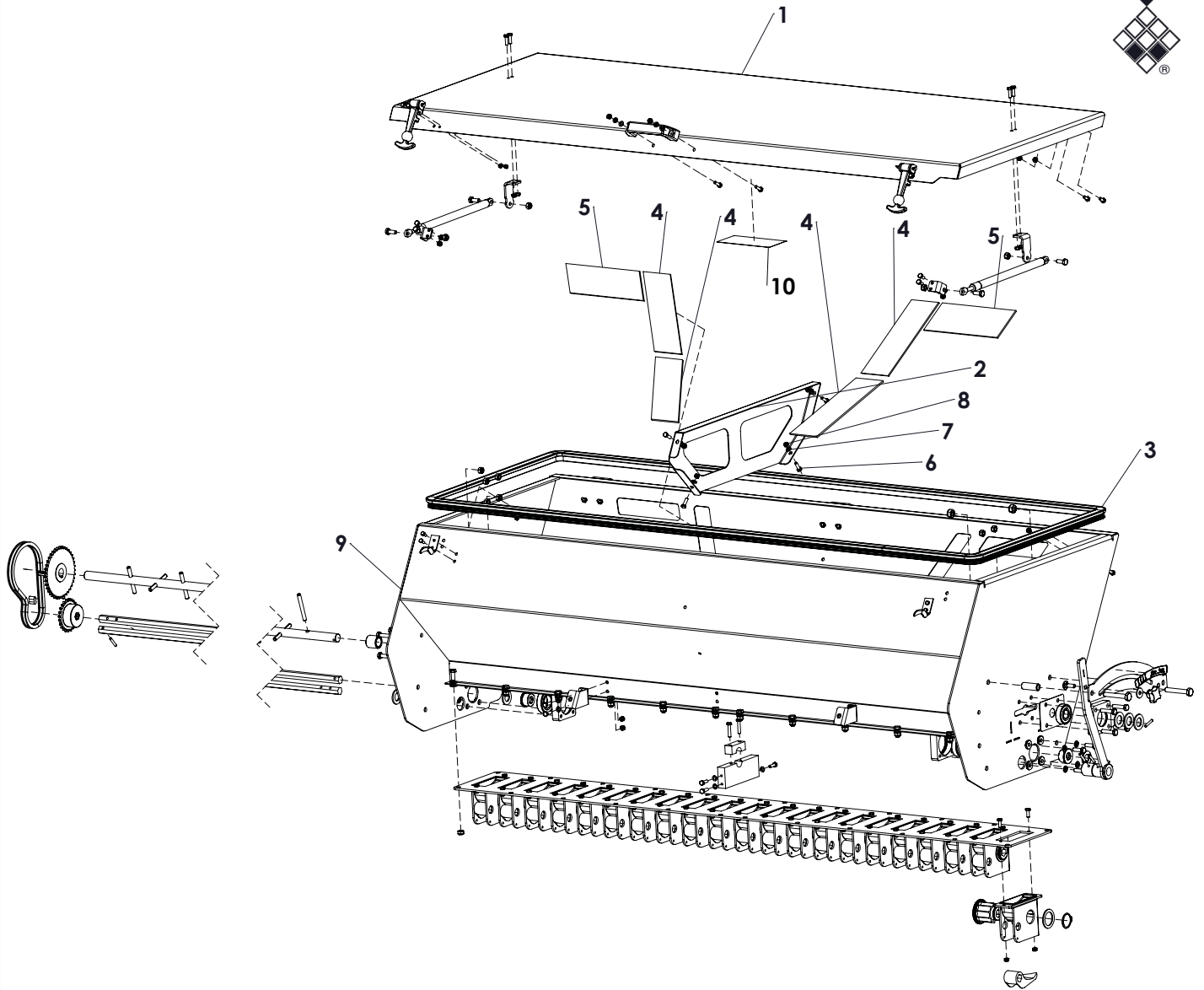
ITEM	PART NUMBER	DESCRIPTION	REMARKS	QUA 1275	QUA 1575	QUA 2075
1	864.080.030	Washer M8 - ISO 7089		13	13	19
2	804.080.160	Bolt M8 x 16 - ISO 4017		13	13	19
3	866.080.020	Spring Washer M8 - DIN 127		5	5	7
4	469.029.169	Safety cover Back OS 1575		0	1	0
	469.029.129	Safety Cover Back OS 1275A		1	0	0
	470.029.207	Safety Cover Back OS 2075A		0	0	1
5	468.164.200	Cover Back OS 1575A		0	1	0
	469.029.128	Cover Back OS 1275A		1	0	0
	468.029.217	Cover Back OS 2075A		0	0	1
6	444.803.100	Toolbox Complete		1	1	1
7	468.030.530	Toolbox contraplate		2	2	2
8	804.080.350	Bolt M8 x 35 - ISO 4017		2	2	2
9	830.080.080	Self Lock Nut M8 - ISO 10511		2	2	2



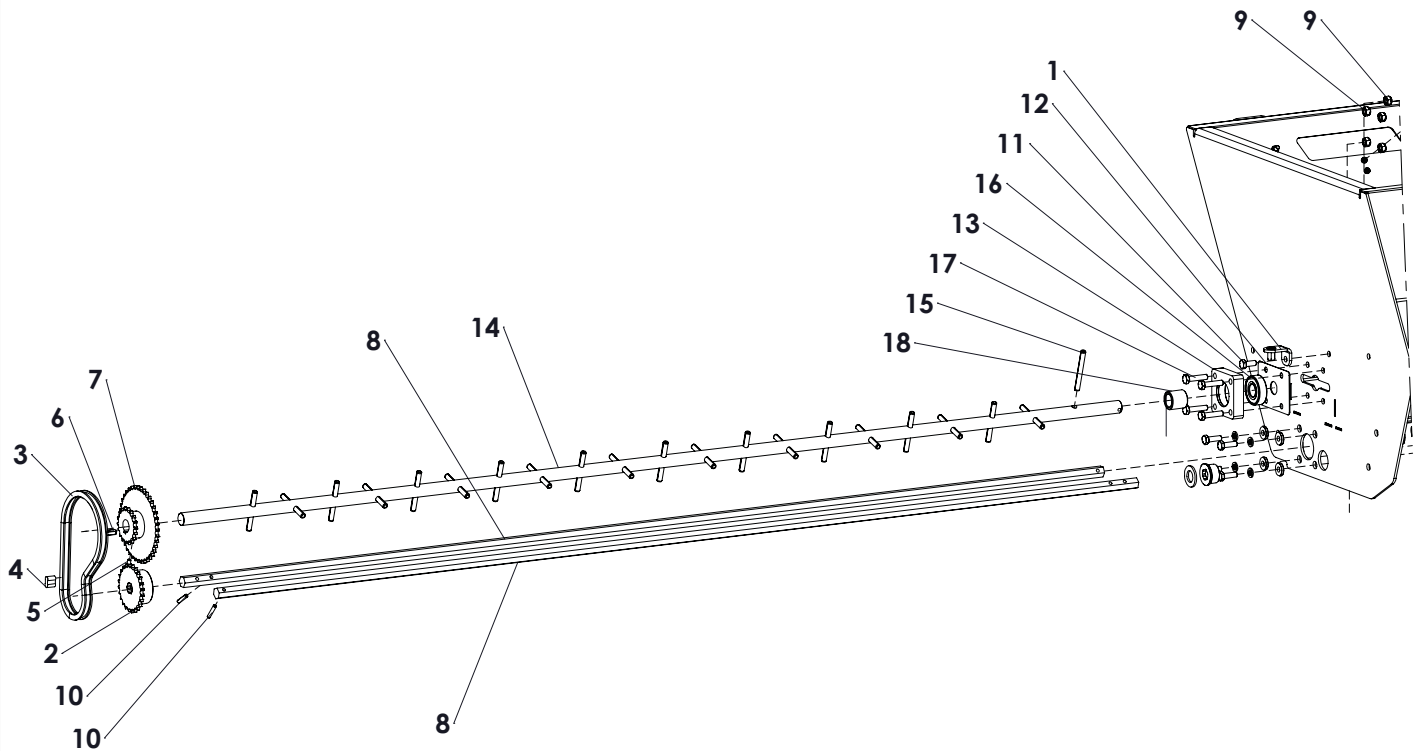
ITEM	PART NUMBER	DESCRIPTION	REMARKS	QUA
1	804.080.200	Bolt M8 x 20 - ISO 4017		3
2	864.080.030	Washer M8 - ISO 7089		3
3	866.080.020	Spring Washer M8 - DIN 127		3
4	638.090.090	Chain connector 3_8 inch 6B Simplex		1
5	631.001.153	Chain 3/8" Simplex L=1153mm (45.4")	Check length	1
	631.001.029	Chain 3/8" Simplex L=1029mm (40.5")	Check length	1
6	631.000.170	Crank link 3/8x7/32		1
7	468.030.980	Sensor bracket		1
8	830.100.100	Self Lock Nut M10 - ISO 10511		1
9	816.040.160	Bolt M4 x 16 - DIN 7991		1
10	866.050.020	Spring Washer M5 - DIN 127		2
11	864.050.030	Washer M5 - ISO 7089		2
12	804.100.200	Bolt M10 x 20 - ISO 4017		1
13	804.050.100	Bolt M5 x 10 - ISO 4017		2
14	593.052.000	Cable-tie 4.8x200		1
15	569.100.430	Magnetic sensor D10 + cable + magnet		1
16	569.390.780	Counter UC300		1
17	569.200.100	Magnet		1



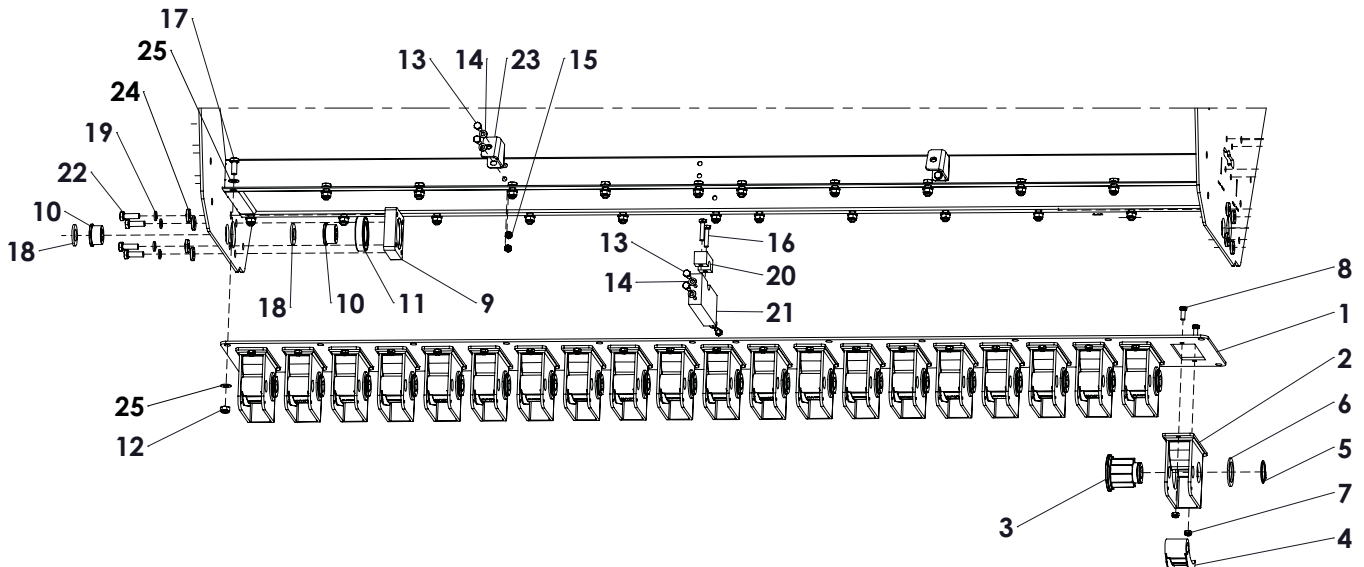
ITEM	PART NUMBER	DESCRIPTION	REMARKS	QUA
1	830.100.100	Self Lock Nut M10 - ISO 10511		8
2	802.100.550	Bolt M10 x 55 - ISO 4014		8
3	864.100.030	Washer M10 - ISO 7089		8
4	402.100.182	Distance bush		8



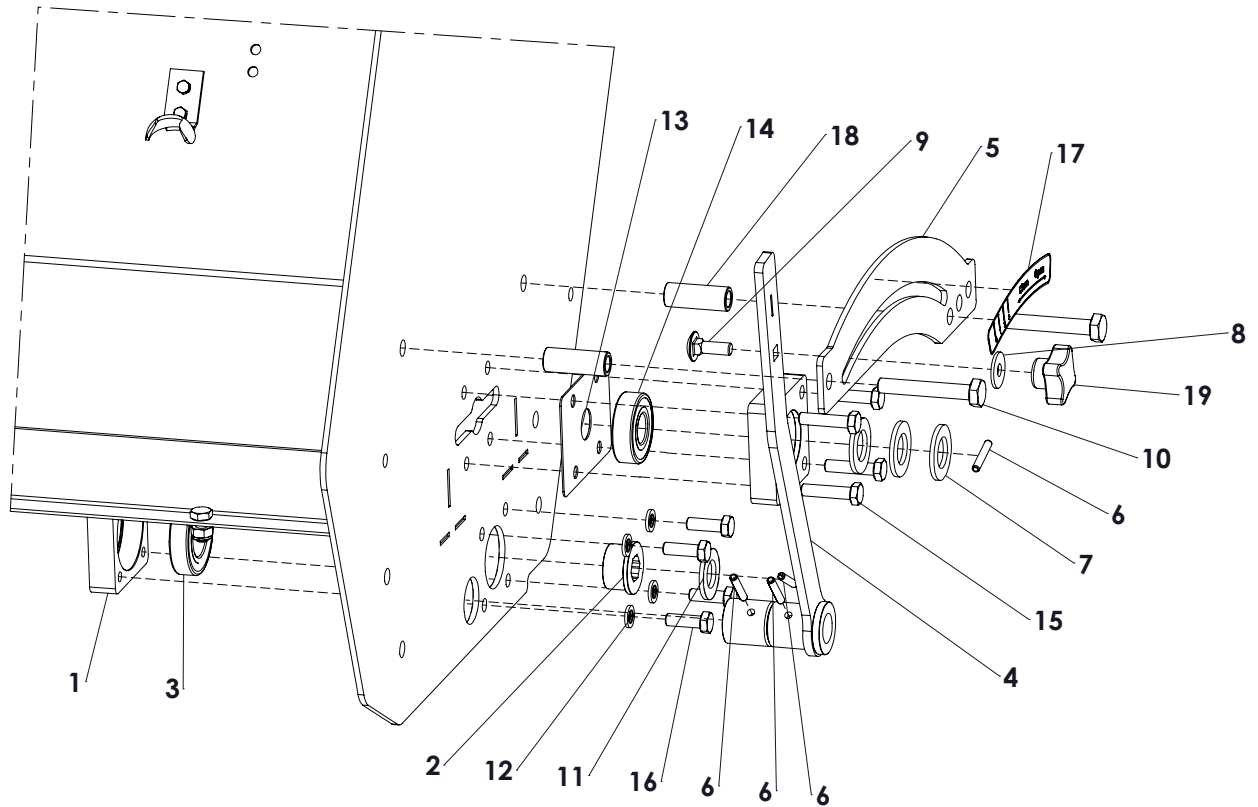
ITEM	PART NUMBER	DESCRIPTION	REMARKS	QUA 1275	QUA 1575	QUA 2075
1	456.163.618	Top cover		0	1	0
	456.125.618	Top cover		1	0	0
	456.215.618	Top cover		0	0	1
2	468.026.020	Hopper support bracket		0	1	1
3	592.130.001	Glass Rubber		0	1	0
	592.130.003	Glass Rubber		1	0	0
	592.130.005	Glass Rubber		0	0	1
4	444.041.902	Window glass seeder		4	4	4
5	444.041.902	Window glass seeder		0	2	2
	444.041.702	Window glass seeder		2	0	0
6	804.060.200	Bolt M6 x 20 - ISO 4017		0	4	4
7	864.060.030	Washer M6 - ISO 7089		0	4	4
8	830.060.060	Self Lock Nut M6 - ISO 10511		0	4	4
9	494.161.500	Hopper		0	1	0
	494.131.500	Hopper		1	0	0
	494.213.500	Hopper		0	0	1
10	924.280.000	Decal seed hopper		1	1	1



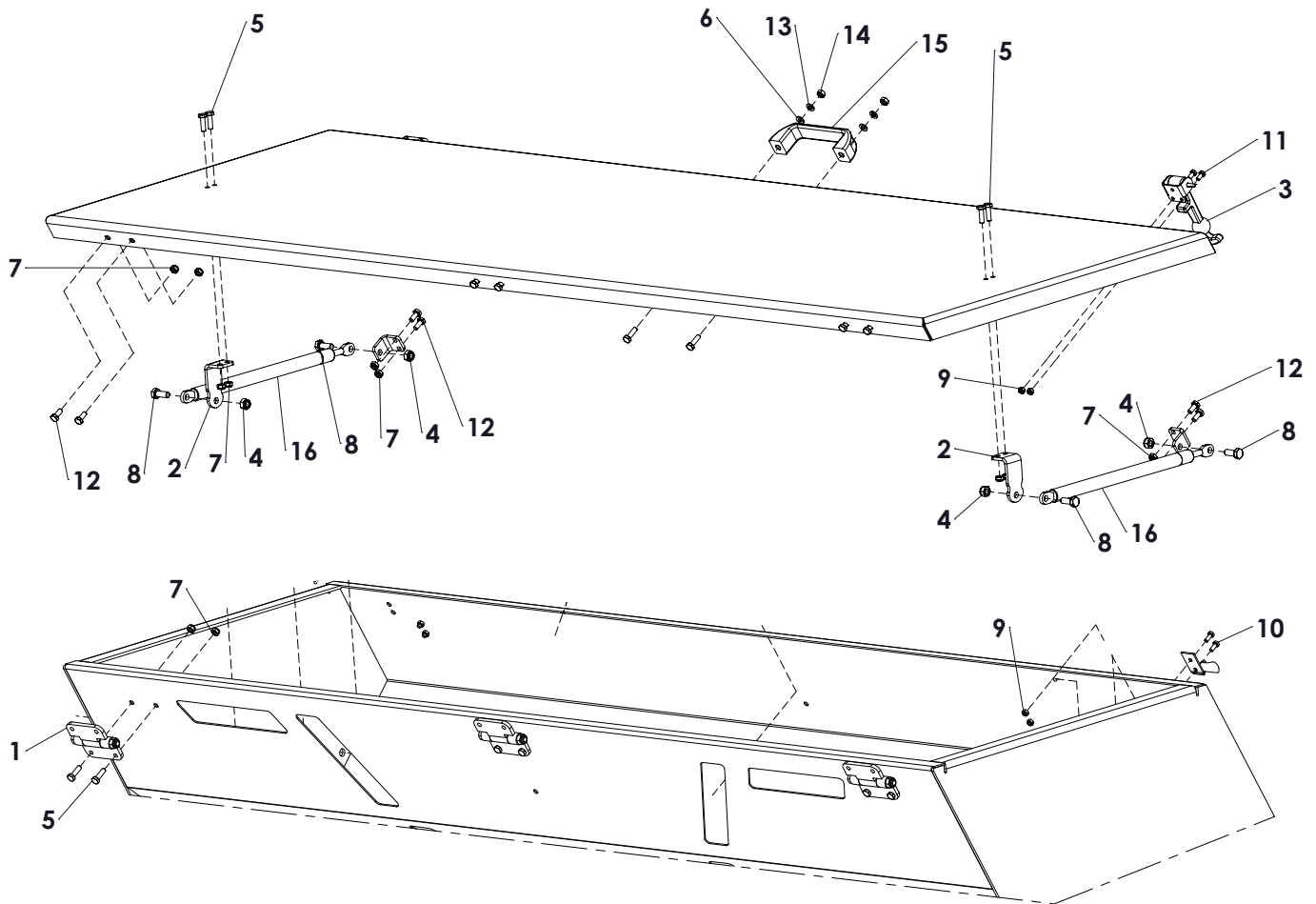
ITEM	PART NUMBER	DESCRIPTION	REMARKS	QUA 1275	QUA 1575	QUA 2075
1	464.040.430	Bracket		1	1	1
2	635.000.776	Sprocket 3/8" (06B) simplex Z24 Hex 16.2		1	1	1
3	631.000.489	Chain 3/8x7/32", L=524		1	1	1
4	638.090.090	Chain connector 3_8 inch 6B Simplex		1	1	1
5	818.050.080	Set screw M5 x 8 - DIN 913		1	1	1
6	884.060.250	Key 6x6x25 - DIN 6885		1	1	1
7	484.014.004	Weldment sprocket		1	1	1
8	422.169.174	Shaft		0	2	0
	422.169.130	Shaft		2	0	0
	422.169.221	Shaft		0	0	2
9	830.080.080	Self Lock Nut M8 - ISO 10511		5	5	5
10	878.050.300	Roll pin Ø5x30		2	2	2
11	804.080.200	Bolt M8 x 20 - ISO 4017		1	1	1
12	468.011.002	Cover plate		1	1	1
13	468.180.704	Bearing block		1	1	1
14	474.209.171-S01	Agitator shaft		0	1	0
	474.209.134-S01	Agitator shaft		1	0	0
	474.209.223-S01	Agitator shaft		0	0	1
15	878.080.702	Roll Pin 8 x 70 - ISO 8752		16	21	28
16	713.200.140	Bearing 6204-C-2HRS		1	1	1
17	804.080.350	Bolt M8 x 35 - ISO 4017		4	4	4
18	402.210.280	Distance bush		1	1	1



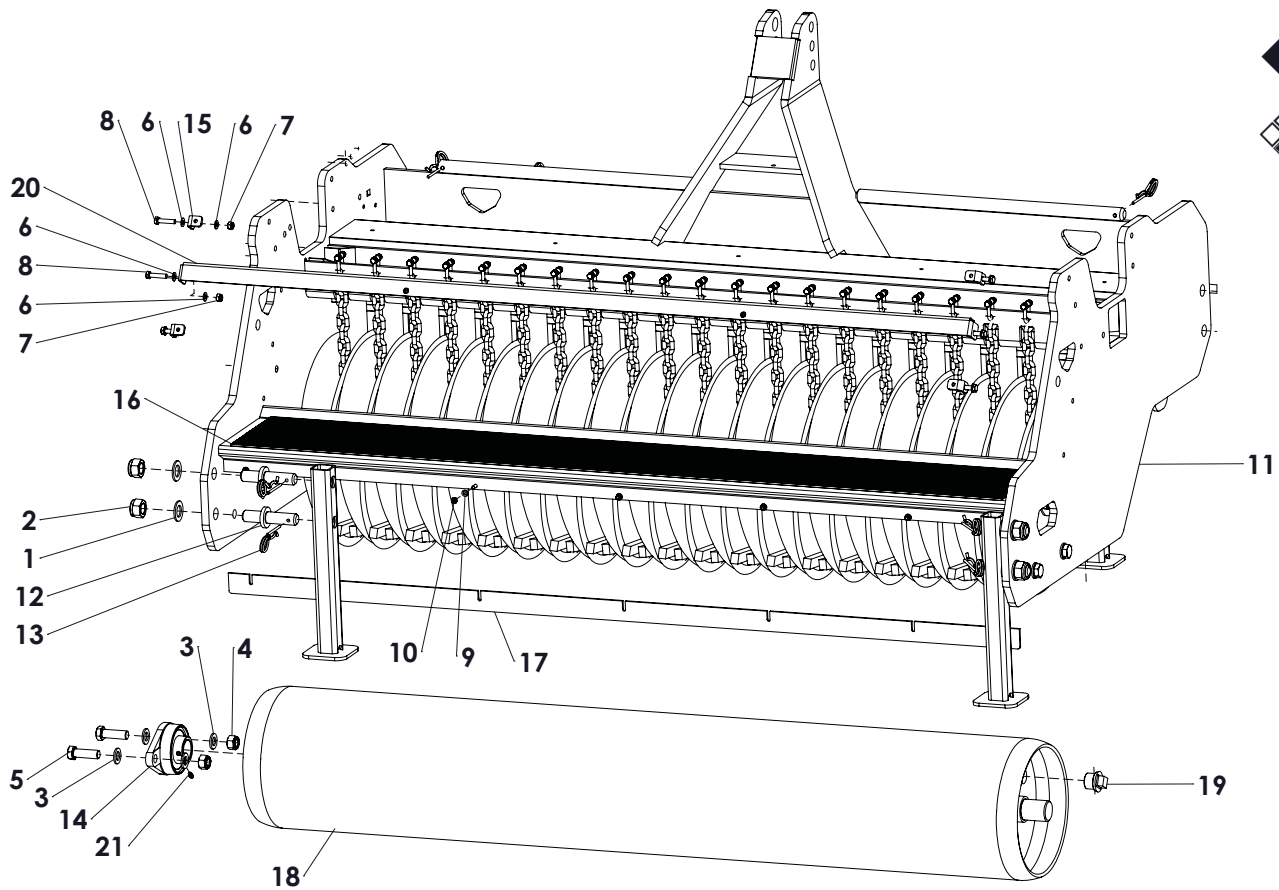
ITEM	PART NUMBER	DESCRIPTION	REMARKS	QUA 1275	QUA 1575	QUA 2075
1	468.049.168	Plate		0	1	0
	468.049.123	Plate		1	0	0
	468.049.213	Plate		0	0	1
2	444.050.133	Seed element casing		16	21	28
3	444.058.510	Seed element rotor		16	21	28
4	444.034.760	Seed element valve		16	21	28
5	870.032.160	Circlip d=32 - DIN 471		16	21	28
6	412.020.450	Washer		16	21	28
7	830.060.060	Self Lock Nut M6 - ISO 10511		32	42	56
8	804.060.160	Bolt M6 x 16 - ISO 4017		32	42	56
9	468.180.706	Bearing block		2	2	2
10	410.160.180	Bush		3	3	3
11	713.300.130	Bearing 6006-LLU		2	2	2
12	830.080.080	Self Lock Nut M8 - ISO 10511		18	24	30
13	804.060.200	Bolt M6 x 20 - ISO 4017		4	4	8
14	864.060.030	Washer M6 - ISO 7089		4	4	8
15	830.060.060	Self Lock Nut M6 - ISO 10511		4	4	8
16	804.060.300	Bolt M6 x 30 - ISO 4017		2	2	2
17	804.080.200	Bolt M8 x 20 - ISO 4017		18	24	30
18	864.180.030	Washer M18 - ISO 7089		2	2	2
19	866.080.020	Spring Washer M8 - DIN 127		4	4	4
20	444.200.550	Guide Block support		1	1	1
21	444.201.440	Guide lock block		1	1	1
22	804.080.250	Bolt M8 x 25 - ISO 4017		4	4	4
23	470.030.660	Cover support bracket		2	2	4
24	864.080.043	Washer M8 - DIN 7349		8	8	8
25	864.080.030	Washer M8 - ISO 7089		36	48	60



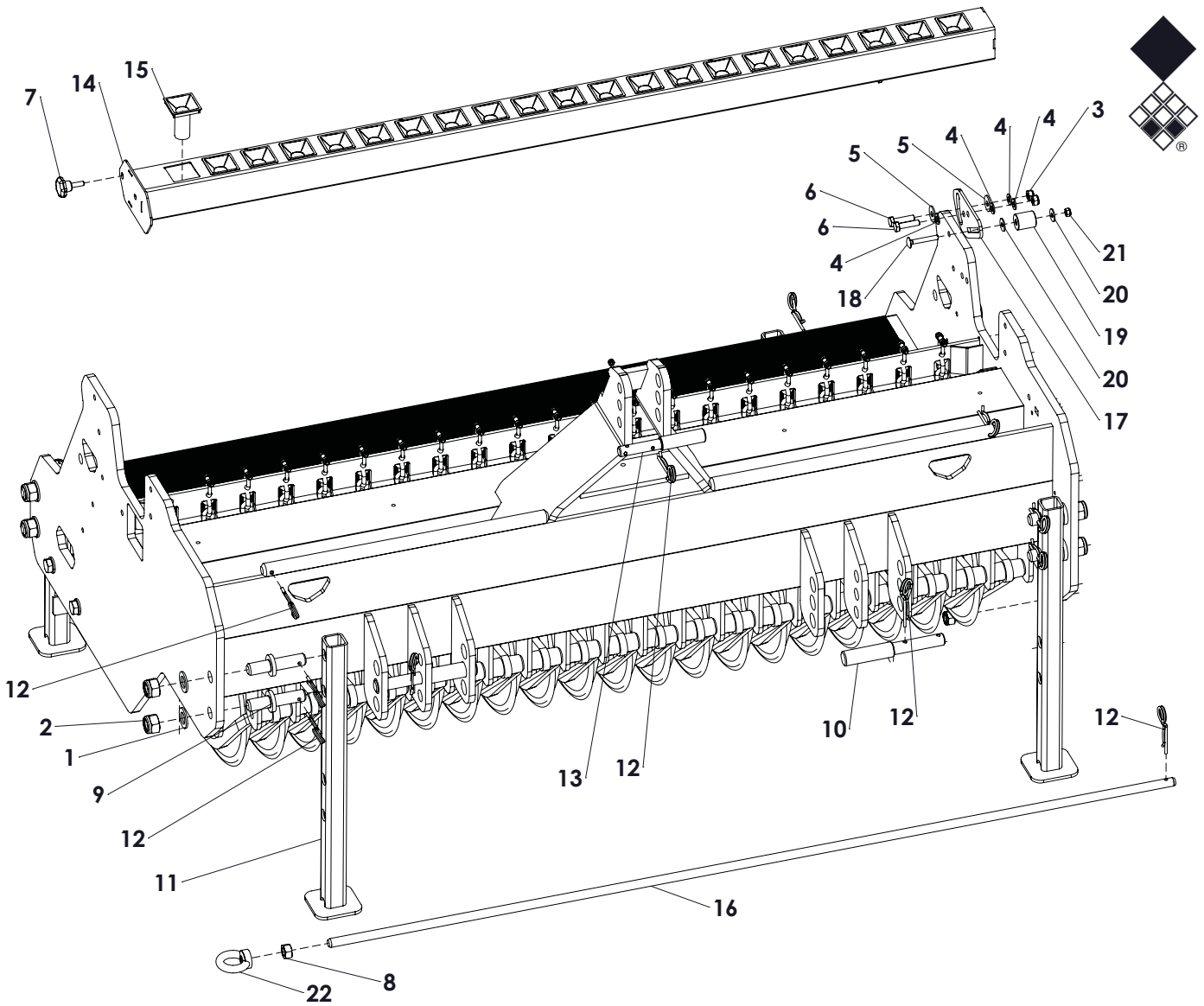
ITEM	PART NUMBER	DESCRIPTION	REMARKS	QUA
1	468.180.706	Bearing block		1
2	410.160.180	Bush		1
3	713.300.130	Bearing 6006-LLU		1
4	464.063.134	Valve adjustment		1
5	464.041.752	Guide strip		1
6	878.050.300	Roll pin Ø5x30		4
7	864.200.030	Washer M20 - ISO 7089		3
8	864.080.024	Large washer M8 - DIN 9021		1
9	820.080.250	MH Bolt M8 x 25 ISO 8677		1
10	804.100.650	Bolt M10 x 65 - ISO 4017		2
11	864.180.030	Washer M18 - ISO 7089		1
12	866.080.020	Spring Washer M8 - DIN 127		4
13	468.011.002	Cover plate		1
14	713.200.140	Bearing 6204-C-2HRS		1
15	804.080.350	Bolt M8 x 35 - ISO 4017		4
16	804.080.250	Bolt M8 x 25 - ISO 4017		4
17	924.340.001	Decall adjustment valve		1
18	406.160.430	Distance bush		2
19	836.080.402	Closed Knop M8 - Din 6335		1



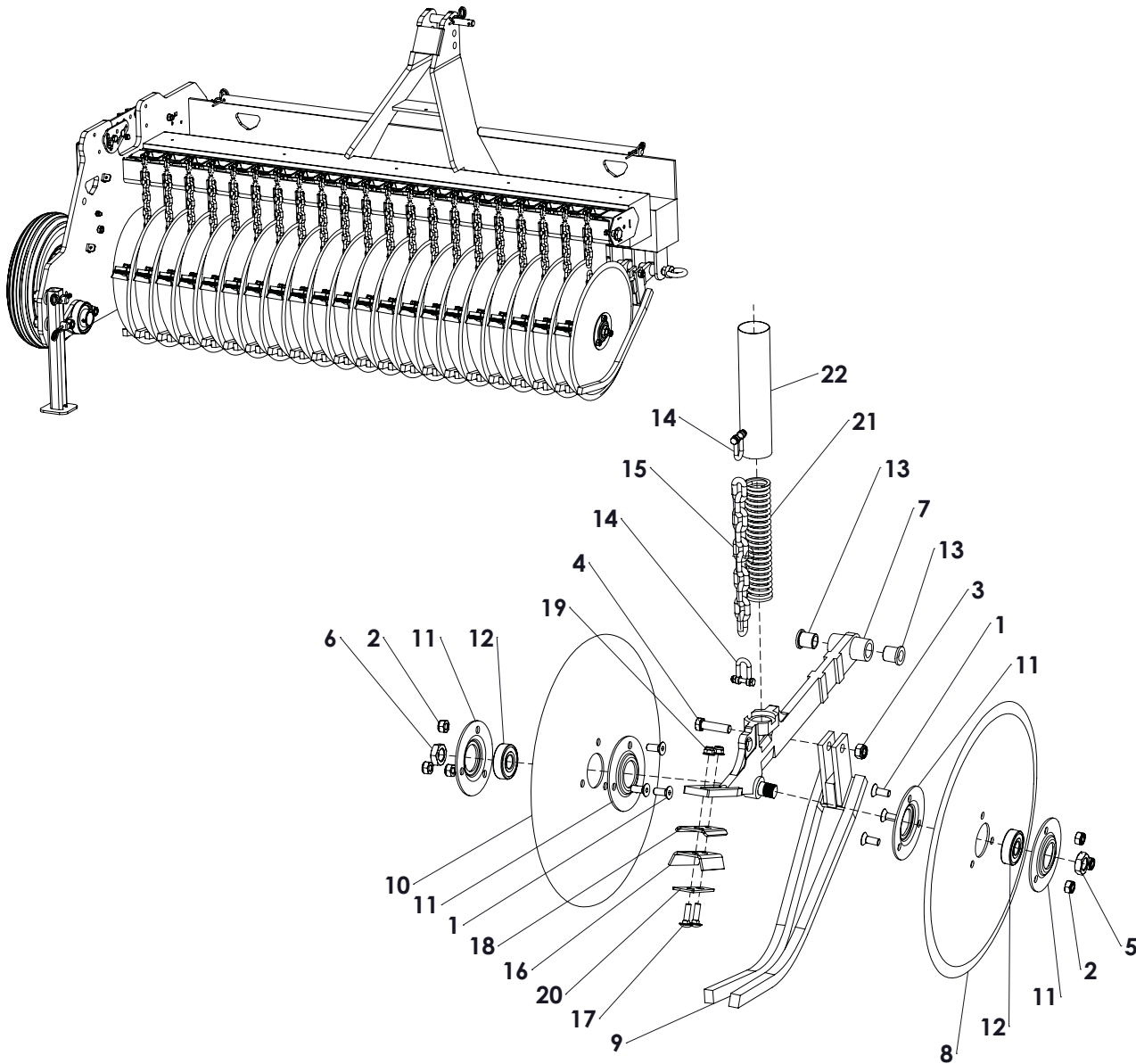
ITEM	PART NUMBER	DESCRIPTION	REMARKS	QUA
1	899.100.634	Hinge		3
2	468.040.654	Support L=65mm		2
3	590.650.000	Rubber lock assy		2
4	830.080.080	Self Lock Nut M8 - ISO 10511		4
5	804.060.200	Bolt M6 x 20 - ISO 4017		10
6	864.060.030	Washer M6 - ISO 7089		2
7	830.060.060	Self Lock Nut M6 - ISO 10511		14
8	804.080.200	Bolt M8 x 20 - ISO 4017		4
9	830.050.050	Self Lock Nut M5 - ISO 10511		4
10	804.050.120	Bolt M5 x 12 - ISO 4017		4
11	804.050.100	Bolt M5 x 10 - ISO 4017		4
12	804.060.140	Bolt M6 x 14 - ISO 4017		10
13	866.060.020	Spring Washer M6 - DIN 127		2
14	826.060.060	Nut M6 - DIN 934		2
15	444.151.250	Handle		1
16	571.185.850	Gas strut L=585/stroke=250, F=150N		2



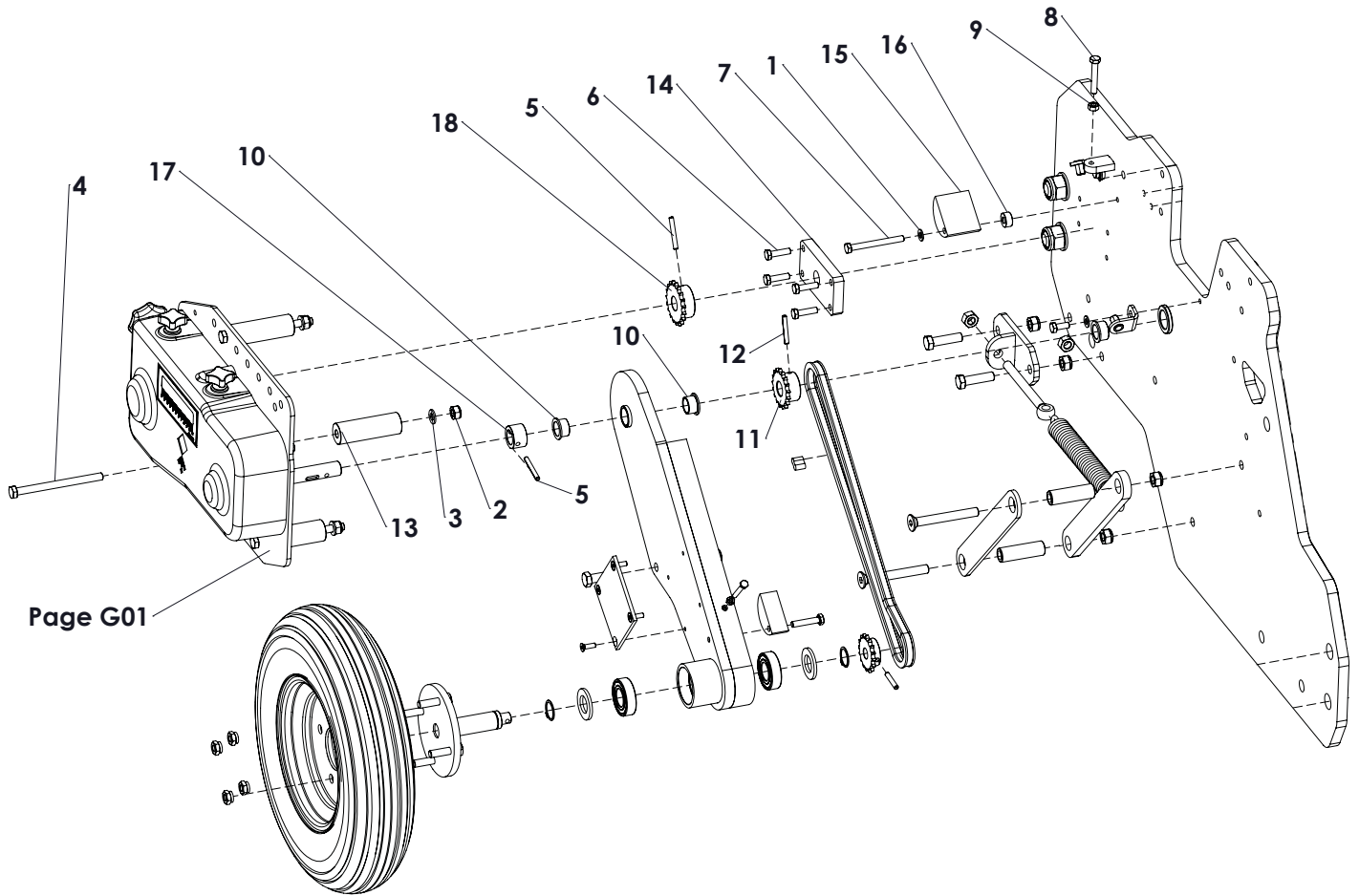
ITEM	PART NUMBER	DESCRIPTION	REMARKS	QUA 1275	QUA 1575	QUA 2075
1	864.220.030	Washer M22 - ISO 7089		8	8	8
2	830.220.220	Self Lock Nut M22 - ISO 10511		8	8	8
3	864.160.030	Washer M16 - ISO 7089		8	8	8
4	830.160.160	Self Lock Nut M16 10.9 - ISO 10511		4	4	4
5	804.160.500	Bolt M16 x 50 - ISO 4017		4	4	4
6	864.080.030	Washer M8 - ISO 7089		12	12	12
7	830.080.080	Self Lock Nut M8 - ISO 10511		6	6	6
8	804.080.350	Bolt M8 x 35 - ISO 4017		6	6	6
9	864.060.030	Washer M6 - ISO 7089		5	7	9
10	830.060.060	Self Lock Nut M6 - ISO 10511		5	7	9
11	494.168.104	Frame OS1575A		1	1	1
12	418.221.110	Pin for Jack		4	4	4
13	523.051.000	R-clip Round 5, DIN 11024		4	4	4
14	742.400.520	Bearing UCFL 208		2	2	2
15	464.050.300	Cover mounting bracket		4	4	4
16	446.049.165	Rubber grip plate		0	1	0
	446.049.123	Rubber grip plate		1	0	0
	446.049.213	Rubber grip plate		0	0	1
17	464.049.160	Scraper strip rol OS 1575		0	1	0
	464.049.120	Scraper strip rol OS 1275		1	0	0
	464.049.212	Scraper strip rol OS 2075A		0	0	1
18	476.289.160	Back roller OS 1575		0	1	0
	476.289.120	Back roller OS 1275		1	0	0
	476.289.210	Back roller OS 2075		0	0	1
19	856.303.000	Plug M30x1.5		1	1	1
20	470.031.650	Cover mounting bracket		0	1	0
	470.039.127	Cover mounting bracket		1	0	0
	470.039.207	Cover mounting bracket		0	0	1
21	880.060.100	Grease nipple M6 DIN 71412A		2	2	2



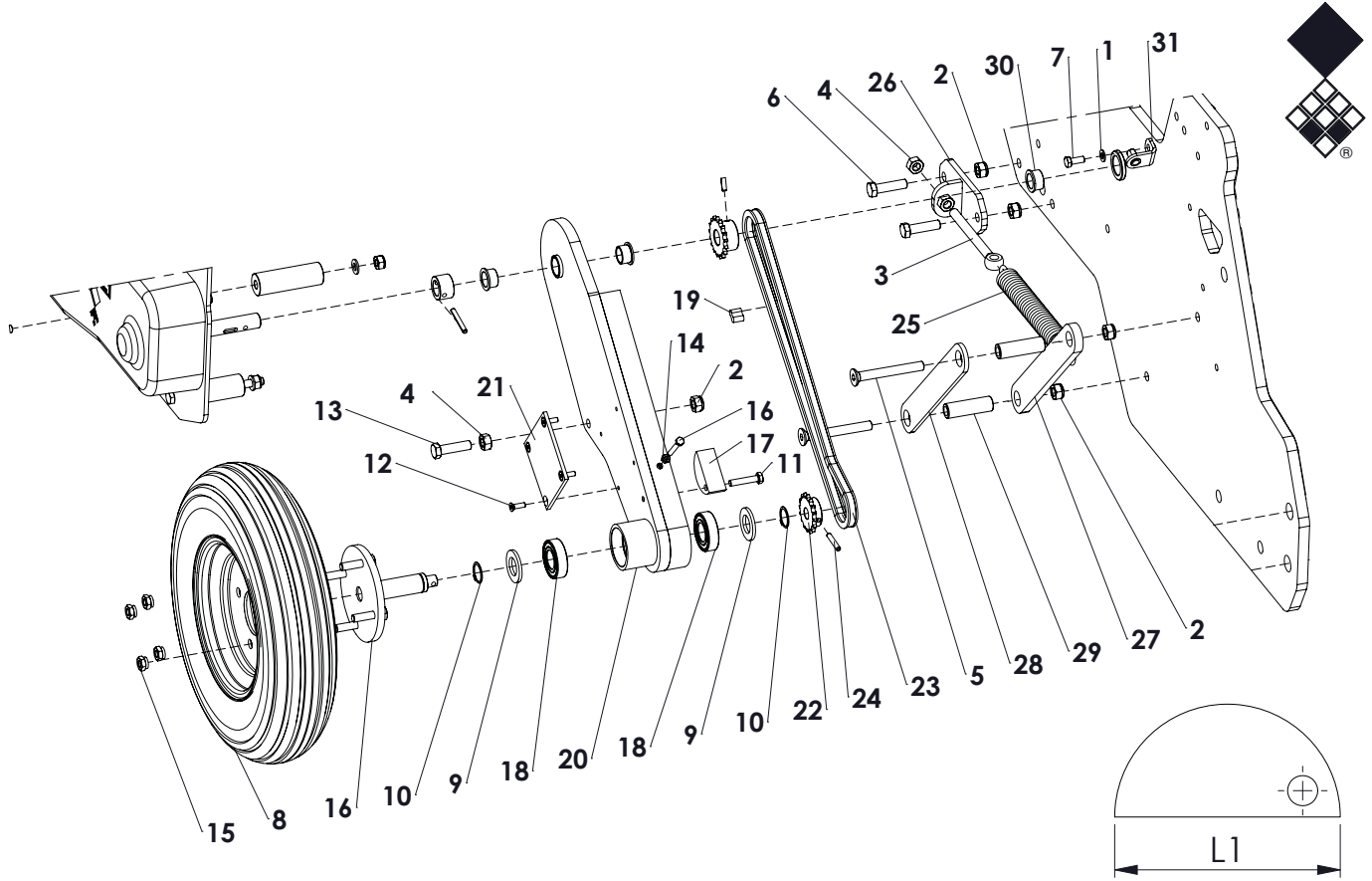
ITEM	PART NUMBER	DESCRIPTION	REMARKS	QUA 1275	QUA 1575	QUA 2075
1	864.220.030	Washer M22 - ISO 7089		4	4	4
2	830.220.220	Self Lock Nut M22 - ISO 10511		4	4	4
3	830.100.100	Self Lock Nut M10 - ISO 10511		2	2	2
4	864.100.030	Washer M10 - ISO 7089		4	4	4
5	864.100.031	Large washer M10 - DIN 9021		2	2	2
6	802.100.400	Bolt M10 x 40 - ISO 4014 - 10.9		2	2	2
7	836.080.560	Knurled knob M8x40, L=25mm		1	1	1
8	826.160.160	Nut M16 - DIN 934		1	1	1
9	418.221.110	Pin for Jack		4	4	4
10	521.221.600	3-point pin		2	2	2
11	460.405.900	Jack overseeder		2	2	2
12	523.051.000	R-clip Round 5, DIN 11024		10	10	10
13	521.191.600	Top link pin OS			1	
14	494.166.018	Funnel beam overseeder		0	1	0
	494.218.018	Funnel beam overseeder		1	0	0
	494.127.018	Funnel beam overseeder		0	0	1
15	444.520.710	Funnel DD overseeder		16	21	28
16	472.169.170	Seed element shaft		0	1	0
	472.169.135	Seed element shaft		1	0	0
	472.169.217	Seed element shaft		0	0	1
17	468.051.250	Spanner plate		1	1	1
18	820.080.550	Mushroom head bolt M8x55		1	1	1
19	444.300.350	Spanner roll		1	1	1
20	864.080.024	Large washer M8 - DIN 9021		2	2	2
21	830.080.080	Self Lock Nut M8 - ISO 10511		1	1	1
22	822.160.360	Lifting Eye Nut M16 - DIN 582		1	1	1



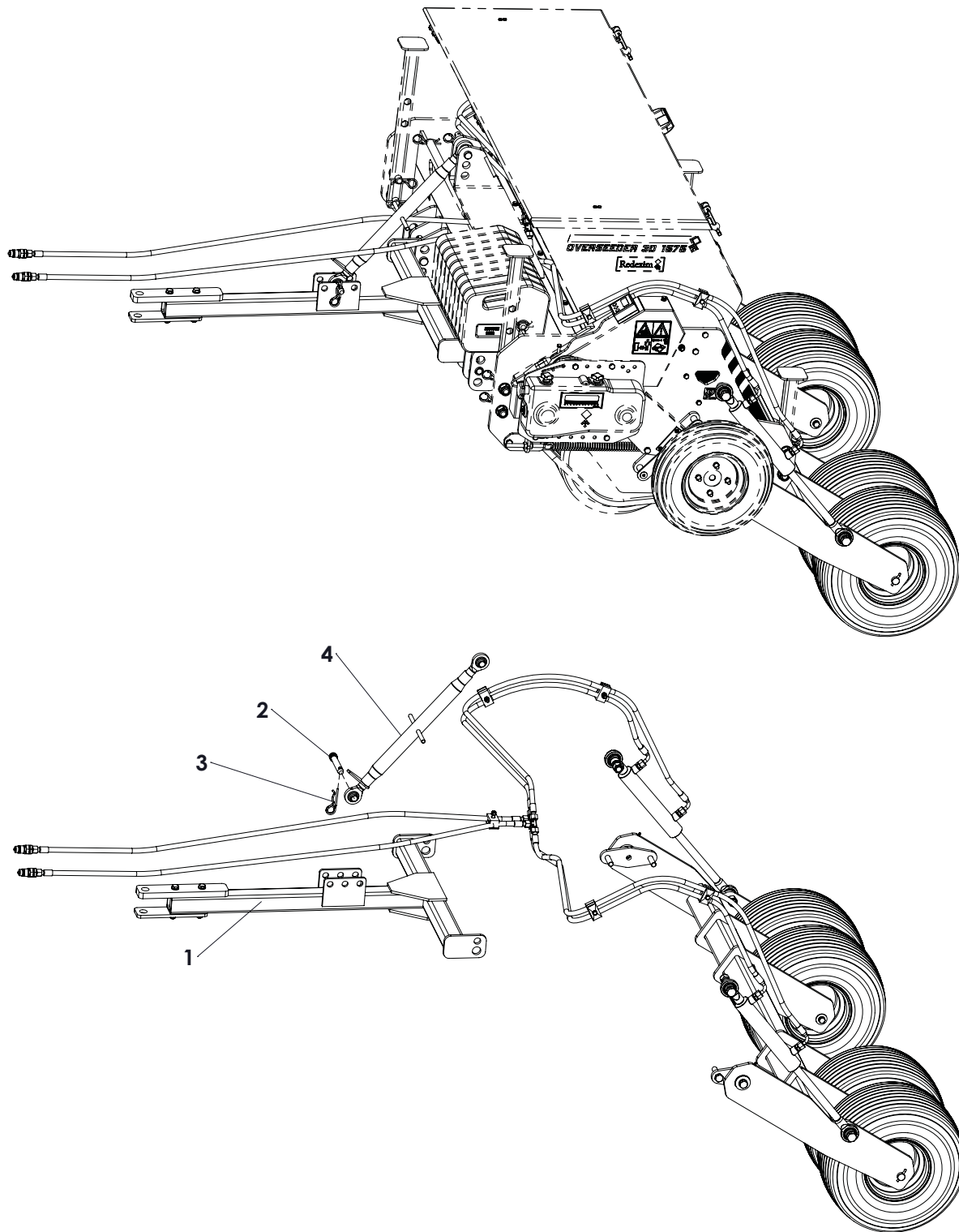
ITEM	PART NUMBER	DESCRIPTION	REMARKS	QUA 1275	QUA 1575	QUA 2075
1	816.100.252	Bolt M10 x 25 - DIN 7991		96	126	168
2	830.100.100	Self Lock Nut M10 - ISO 10511		96	126	168
3	830.120.120	Self Lock Nut M12 - ISO 10511 Class 10.9		16	21	28
4	802.120.450	Bolt M12 x 45 ISO 4014 Class 10.9		16	21	28
5	826.200.100	Thin Nut M20 - ISO 4035		16	21	28
6	826.200.102	Thin Nut M20L - ISO 4035		16	21	28
7	466.604.550	overseeding element casting		16	21	28
8	468.024.202	Cutting disk Ø420		16	21	28
9	466.204.590	Cutting depth guide		16	21	28
10	468.024.060	Cutting disk Ø406		16	21	28
11	468.031.102	Center plate		64	84	112
12	713.200.150	Bearing 6304-LLU		32	42	56
13	442.160.150	Bearing bush		32	42	56
14	846.060.241	D-Shackle d=6mm with bolt		32	42	56
15	899.082.560	Chain seeding element 10-links D=8mm L=256		16	21	28
16	444.030.900	Rubber scraper		16	21	28
17	820.080.300	MH Bolt M8 x 30 ISO 8677		32	42	56
18	468.030.905	Scraper strip		16	21	28
19	830.080.085	Self lock nut M8 - ISO 7043		32	42	56
20	468.030.903	Scraper support plate		16	21	28
21	438.050.400	Spring overseeder		16	21	28
22	444.402.020	Spring hose L=202mm		16	21	28



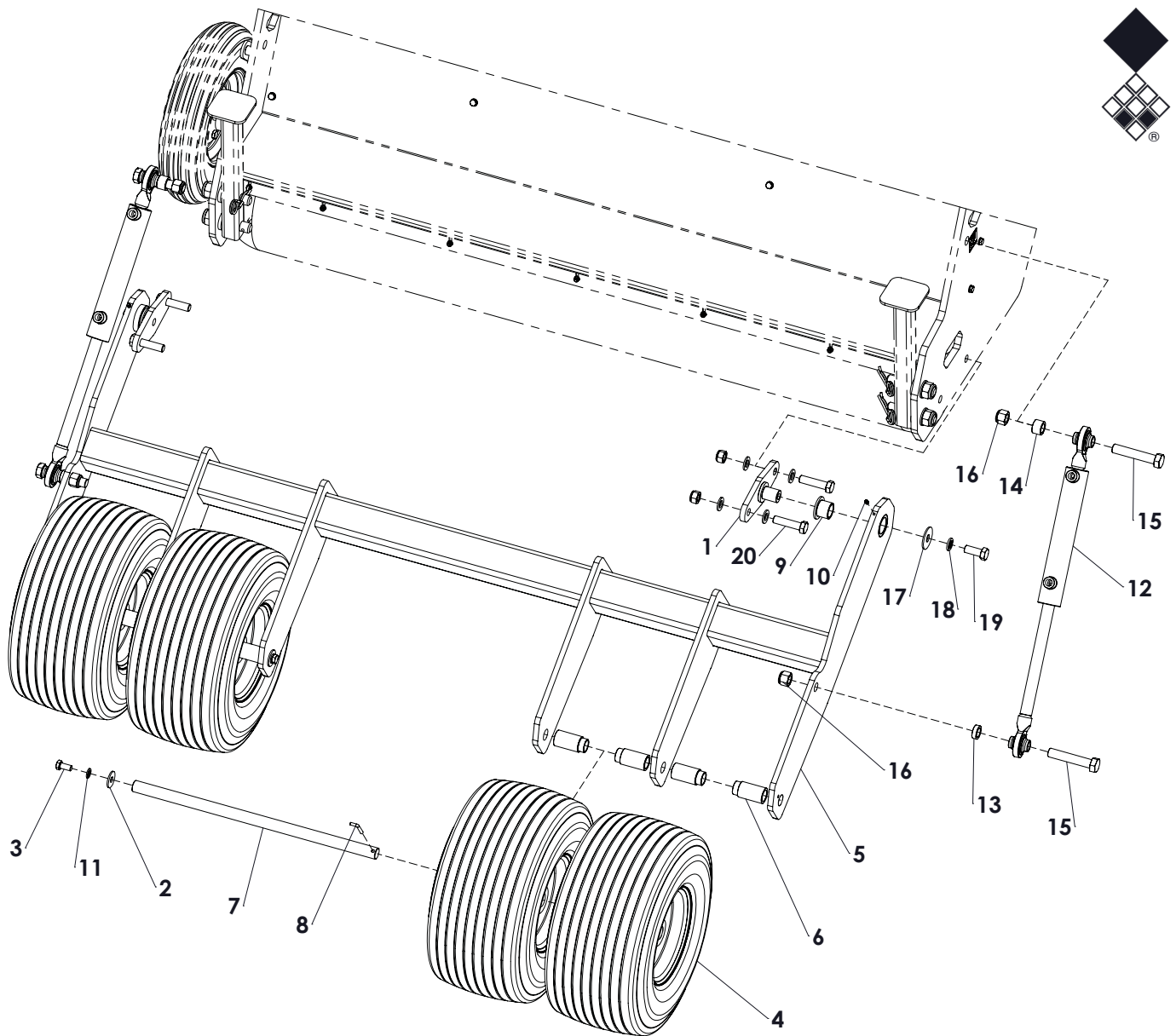
ITEM	PART NUMBER	DESCRIPTION	REMARKS	QUA
1	864.080.030	Washer M8 - ISO 7089		1
2	830.100.100	Self Lock Nut M10 - ISO 10511		3
3	864.100.030	Washer M10 - ISO 7089		3
4	802.101.300	Bolt M10 x 130 - ISO 4014		3
5	878.060.450	Roll Pin 6 x 45 - ISO 8752		2
6	804.080.300	Bolt M8 x 30 - ISO 4017		4
7	802.080.800	Bolt M8 x 80 - ISO 4014		1
8	804.080.500	Bolt M8 x 50 - ISO 4017		1
9	826.080.080	Nut M8 - DIN 934		1
10	442.200.152	Bearing bush swingarm		2
11	635.000.576	Sprocket 3/8" (06B) simplex 17Z	Check: 17 teeth	1
	635.000.962	Sprocket 3/8" (06B) simplex 30Z	Check: 30 teeth	1
12	878.060.400	Roll Pin 6 x 40 - ISO 8752		1
13	402.110.920	Spacer		3
14	444.151.200	Bearing plate		1
15	444.500.600	Chain Tensioner		1
16	402.080.100	Distance bush		1
17	406.200.204	Magnet bush		1
18	635.000.632	Sprocket 3/8" (06B) Simplex Z19	Check: 19 teeth	1
	430.200.200	Sprocket 3/8" (06B) Simplex Z45	Check: 45 teeth	1



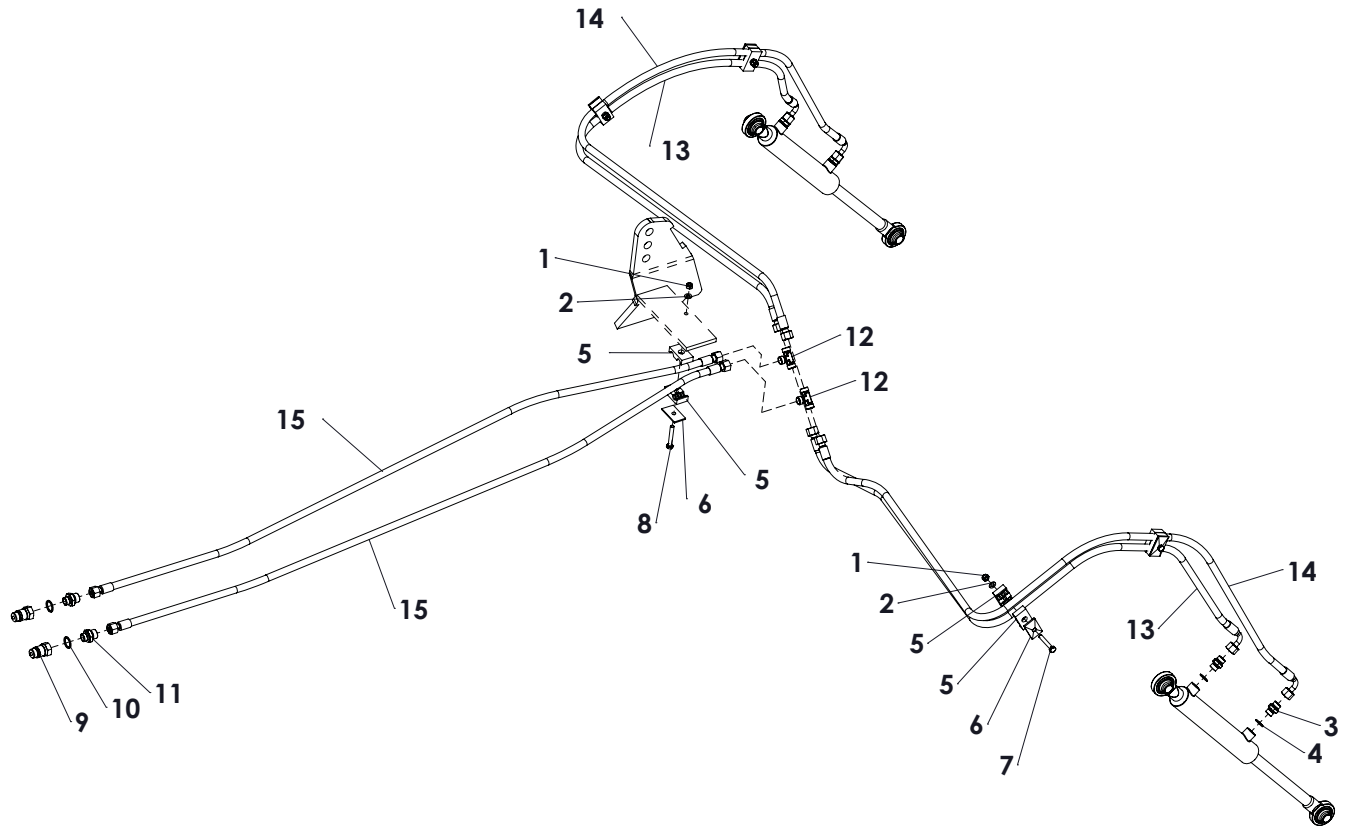
ITEM	PART NUMBER	DESCRIPTION	REMARKS	QUA
1	864.080.030	Washer M8 - ISO 7089		1
2	830.120.120	Self Lock Nut M12 - ISO 10511 Class 10		5
3	822.121.400	Eye Bolt M12x140 DIN 444LB (full thread)		1
4	826.120.120	Nut M12 - DIN 934		3
5	816.121.000	CSK Screw M12 x 100 - DIN 7991		2
6	802.120.450	Bolt M12 x 45 ISO 4014 Class 10.9		2
7	804.080.200	Bolt M8 x 20 - ISO 4017		2
8	511.400.106	Wheel complete 4.00-8/4PR		1
9	864.240.044	Washer M24 - ISO 7089		2
10	870.025.120	Circlip d=25 - DIN 471		2
11	802.080.400	Bolt M8 x 40 - ISO 4014		1
12	816.060.200	Bolt M6 x 20 - DIN 7991		4
13	802.120.450	Bolt M12 x 45 ISO 4014 Class 10.9		1
14	826.060.060	Nut M6 - DIN 934		1
15	844.100.100	Wheel nut M10x1.25		4
16	474.251.400	Wheel hub		1
17	444.250.600	Chain tensioner	Check distance L1=60mm (2.36")	1
	444.250.800	Chain tensioner	Check distance L1=80mm (3.15")	1
18	713.250.150	Bearing 6205-LLU		2
19	638.090.090	Chain connector 3_8 inch 6B Simplex		1
20	466.155.000	Frame swingarm		1
21	444.051.000	Guide plate swingarm		1
22	635.000.540	Sprocket 3/8" (06B) simplex 16Z	Check: 16 teeth	1
	430.150.170	Sprocket 3/8" (06B) simplex 12Z	Check: 12 teeth	1
23	631.000.978	Chain 3/8" Simplex L=978mm (38.5")	Check length	1
	631.001.038	Chain 3/8" Simplex L=1038mm (40.9")	Check length	1
24	878.060.350	Roll Pin 6 x 35 - ISO 8752		1
25	575.302.250	Spring wheelaxle		1
26	470.081.450	Bracket spring tensioner		1
27	444.122.800	Guide swing arm		1
28	468.062.802	Guide swing arm		1
29	406.130.650	Distance bush Ø20/Ø12.5 L=65		2
30	442.200.150	Bearing bush gearaxle		1
31	464.040.430	Bracket		2



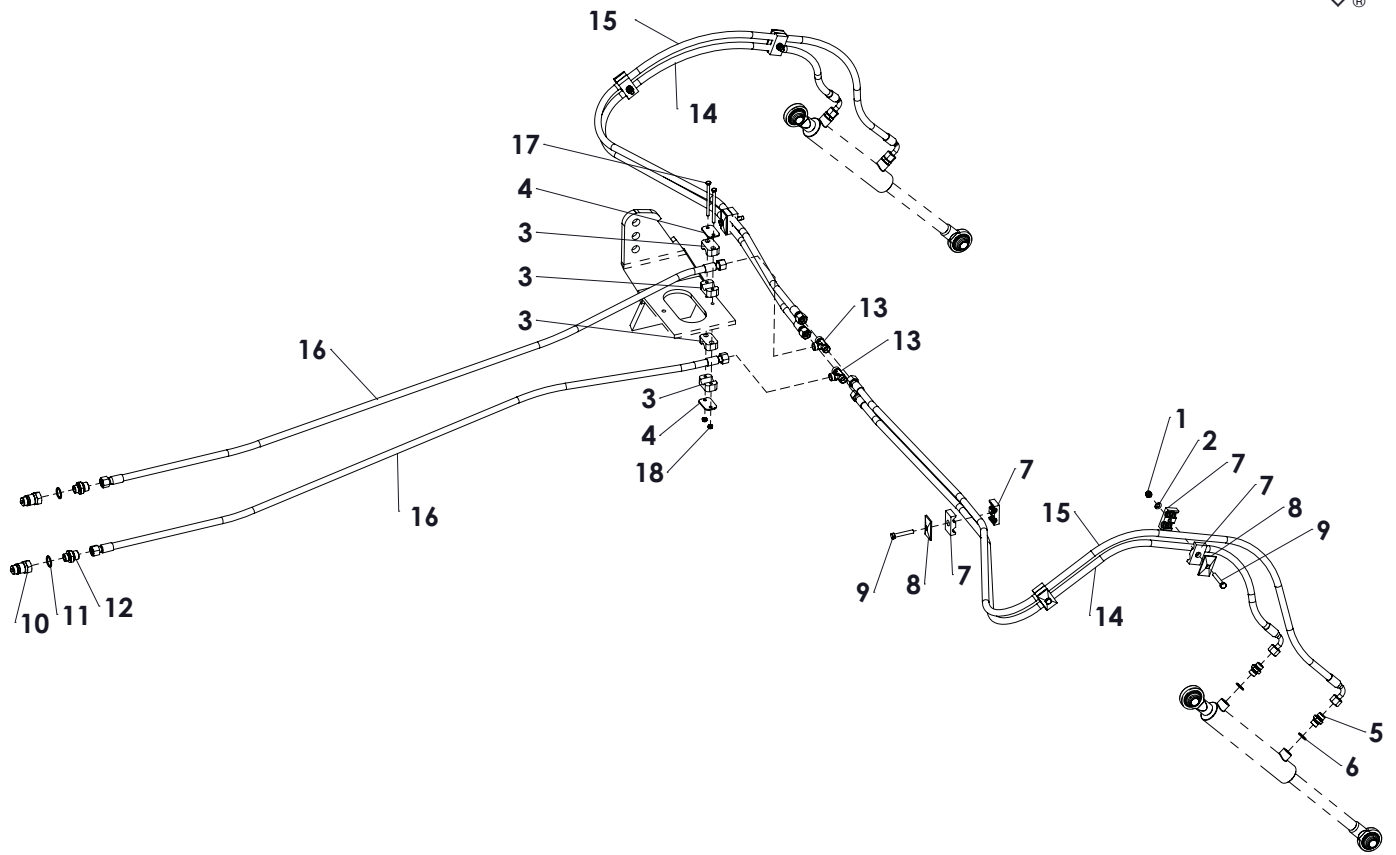
ITEM	PART NUMBER	DESCRIPTION	REMARKS	QUA
1	494.063.076	Drawbar Bogy Double Eye Coupling		1
2	521.191.120	Top Link Pin		1
3	523.051.000	R-clip Round 5, DIN 11024		1
4	478.257.970	Toplink		1



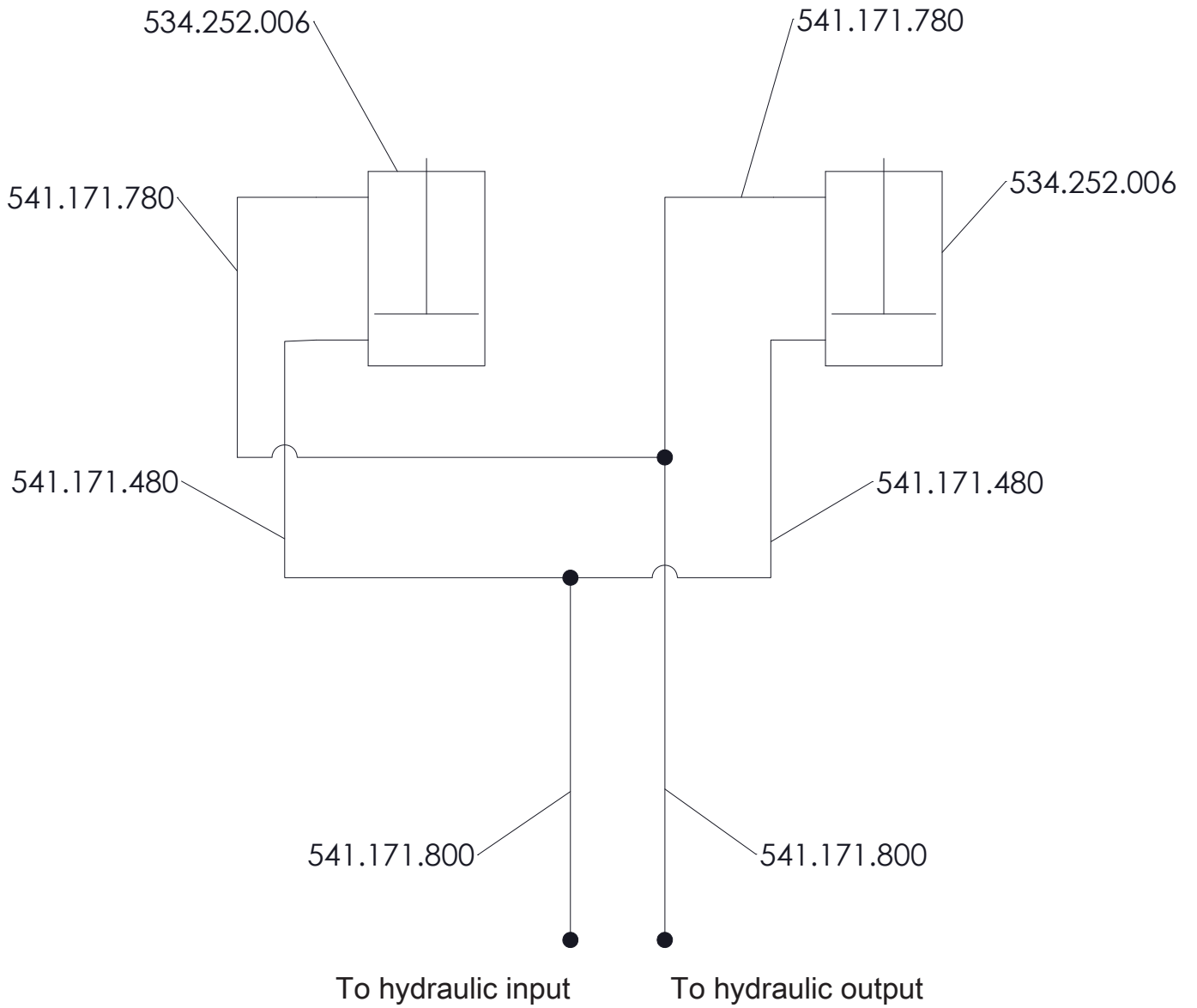
ITEM	PART NUMBER	DESCRIPTION	REMARKS	QUA 1275	QUA 1575	QUA 2075
1	470.121.890	Pivot plate		2	2	2
2	864.120.031	Large washer M12 - DIN 9021		2	2	2
3	804.120.250	Bolt M12 x 25 - ISO 4017		2	2	2
4	511.542.236	Wheel Complete		4	4	4
5	494.177.075	Weld Assy Bogey OS1575A		0	1	0
	494.127.075	Weld Assy Bogey OS1275A		1	0	0
	494.230.075	Weld Assy Bogey OS2075A		0	0	1
6	404.250.700	Distance Bush Wheel		8	8	8
7	414.255.750	Wheel shaft bogey		2	2	2
8	424.060.480	Lock Pin		2	2	2
9	442.280.300	Bearing bush		2	2	2
10	880.060.100	Grease nipple M6 DIN 71412A		2	2	2
11	866.120.020	Spring Washer M12 - DIN 127		2	2	2
12	534.252.006	Hydr. Cylinder 25/40, stroke 200 - 2 x 19.4		2	2	2
13	406.200.100	Distance bush Ø30/Ø20 L=10		2	2	2
14	406.200.200	Distance bush		2	2	2
15	808.191.000	Hex Bolt 3/4"-16 L=4 UNF		4	4	4
16	840.190.230	SL Nut 3/4"-16 UNF		4	4	4
17	864.160.031	Large washer M16 - DIN 9021		2	2	2
18	866.160.020	Spring Washer M16 - DIN 127		2	2	2
19	804.160.400	Bolt M16 x 40 - ISO 4017		2	2	2
20	802.160.650	Bolt M16 x 65 - ISO 4014 - 10.9		4	4	4

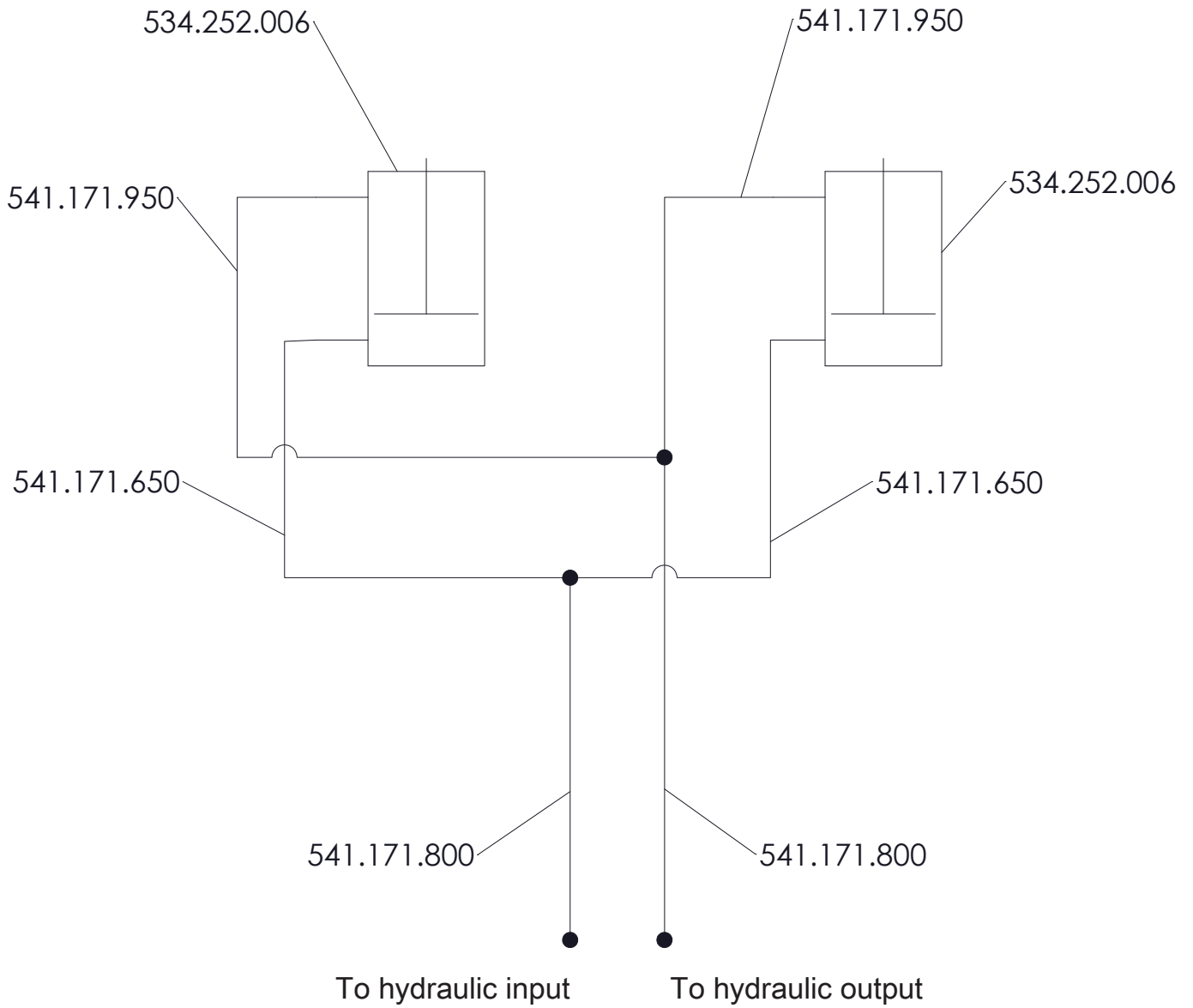


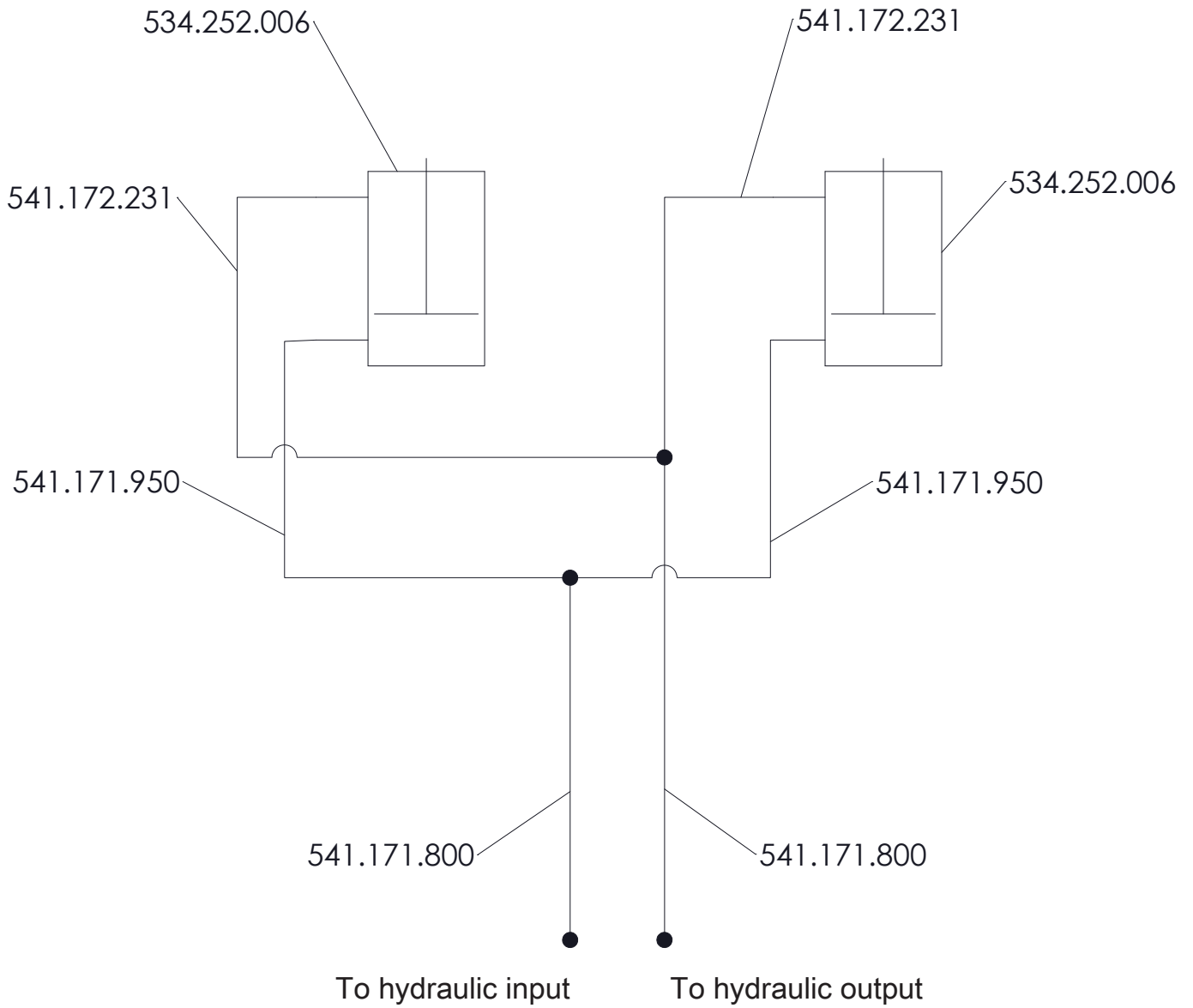
ITEM	PART NUMBER	DESCRIPTION	REMARKS	QUA
1	830.080.080	Self Lock Nut M8 - ISO 10511		5
2	864.080.030	Washer M8 - ISO 7089		5
3	544.170.120	Nipple BSP 3_8" x pipe 12 (M18)		4
4	874.170.020	Copper washer 3_8		4
5	547.150.150	Hose clamp double 15mm		5
6	547.300.510	Cover plate hose clamp 2x15 - 2x18		5
7	802.080.500	Bolt M8 x 50 - ISO 4014		4
8	802.080.550	Bolt M8 x 55 - ISO 4014		1
9	545.210.800	Quick connector male 1/2"		2
10	874.210.020	Copper washer 1_2		2
11	544.130.402	Nipple BSP 1_2" x pipe 12 (M18)		2
12	544.124.125	T-Connector 12x12x12		2
13	541.171.650	Hose NSK10-3/8" TL=1650 PGLO1018 + PGLO101890		2
14	541.171.950	Hose NSK10-3/8" TL=1950 1xPGLO1018 + 1x PGLO101890		2
15	541.171.800	Hose NSK10-3/8" TL=2450 PGLO1018 PGLO1018		2
16	534.252.006	Hydr. Cylinder 25/40, stroke 200 - 2 x 19.4		2

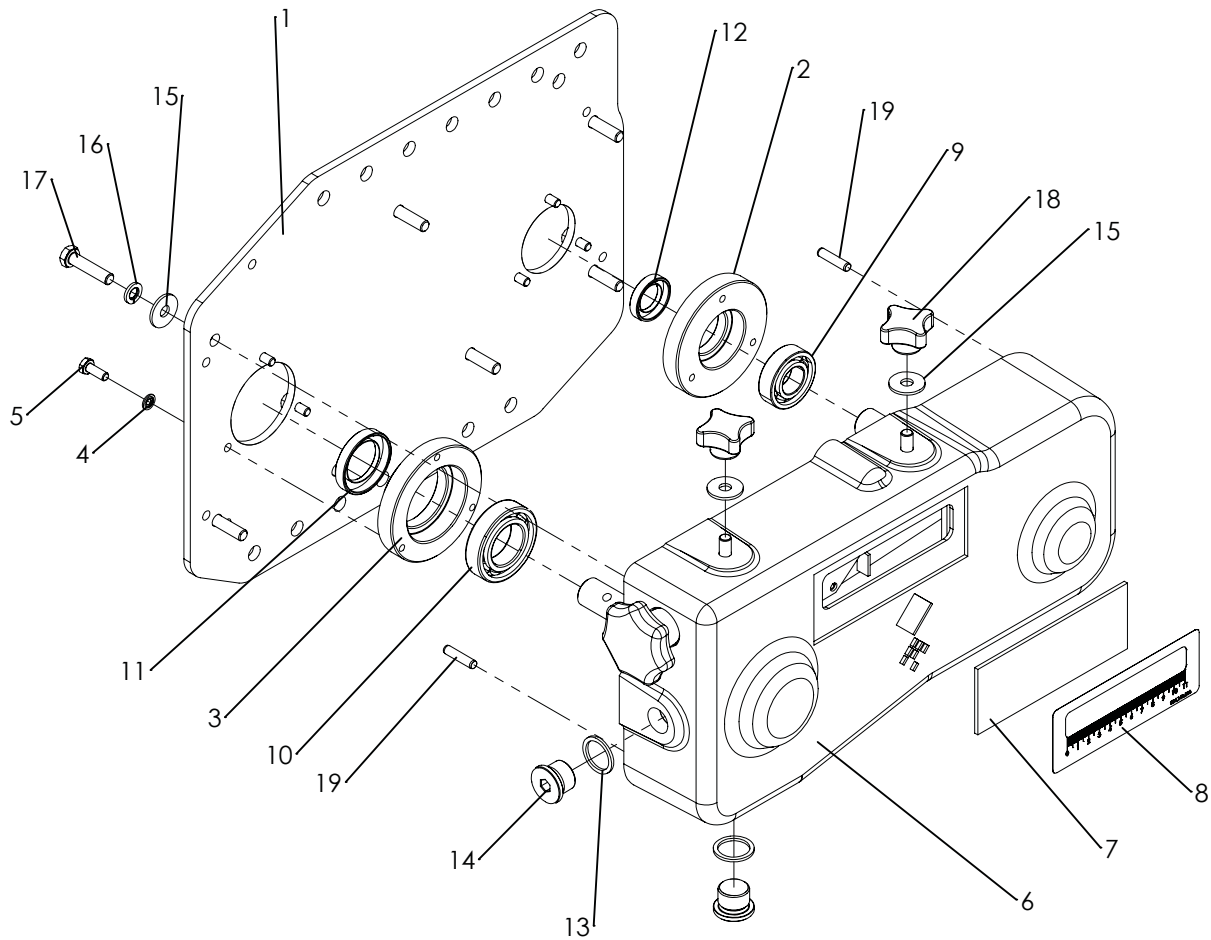


ITEM	PART NUMBER	DESCRIPTION	REMARKS	QUA 1275	QUA 2075
1	830.080.080	Self Lock Nut M8 - ISO 10511		4	4
2	864.080.030	Washer M8 - ISO 7089		4	4
3	547.200.302	Pipe clamp single Ø20 Gr3		2	2
4	549.300.480	Deck plate Gr3		2	2
5	544.170.120	Nipple BSP 3_8" x pipe 12 (M18)		4	4
6	874.170.020	Copper washer 3_8		4	4
7	547.150.150	Hose clamp double 15mm		4	6
8	547.300.510	Cover plate hose clamp 2x15 - 2x18		4	6
9	802.080.500	Bolt M8 x 50 - ISO 4014		4	6
10	545.210.800	Quick connector male 1/2"		2	2
11	874.210.020	Copper washer 1_2		2	2
12	544.130.402	Nipple BSP 1_2" x pipe 12 (M18)		2	2
13	544.124.125	T-Connector 12x12x12		2	2
14	541.171.950	Hose NSK10-3/8" TL=1950 PGLO1018 + PGLO101890		0	2
	541.171.480	Hose NSK10-3/8" TL=1480 PGLO1018 PGLO101890		2	0
15	541.172.231	Hose NSK10-3/8" TL=2230 PGLO1018 PGLO101890		0	2
	541.171.780	Hose NSK10-3/8" TL=1780 PGLO1018 PGLO101890		2	0
16	541.171.800	Hose NSK10-3/8" TL=2450 PGLO1018 PGLO1018		2	2
17	802.060.900	Bolt M6 x 90 - ISO 4014		2	2
18	830.060.060	Self Lock Nut M6 - ISO 10511		2	2

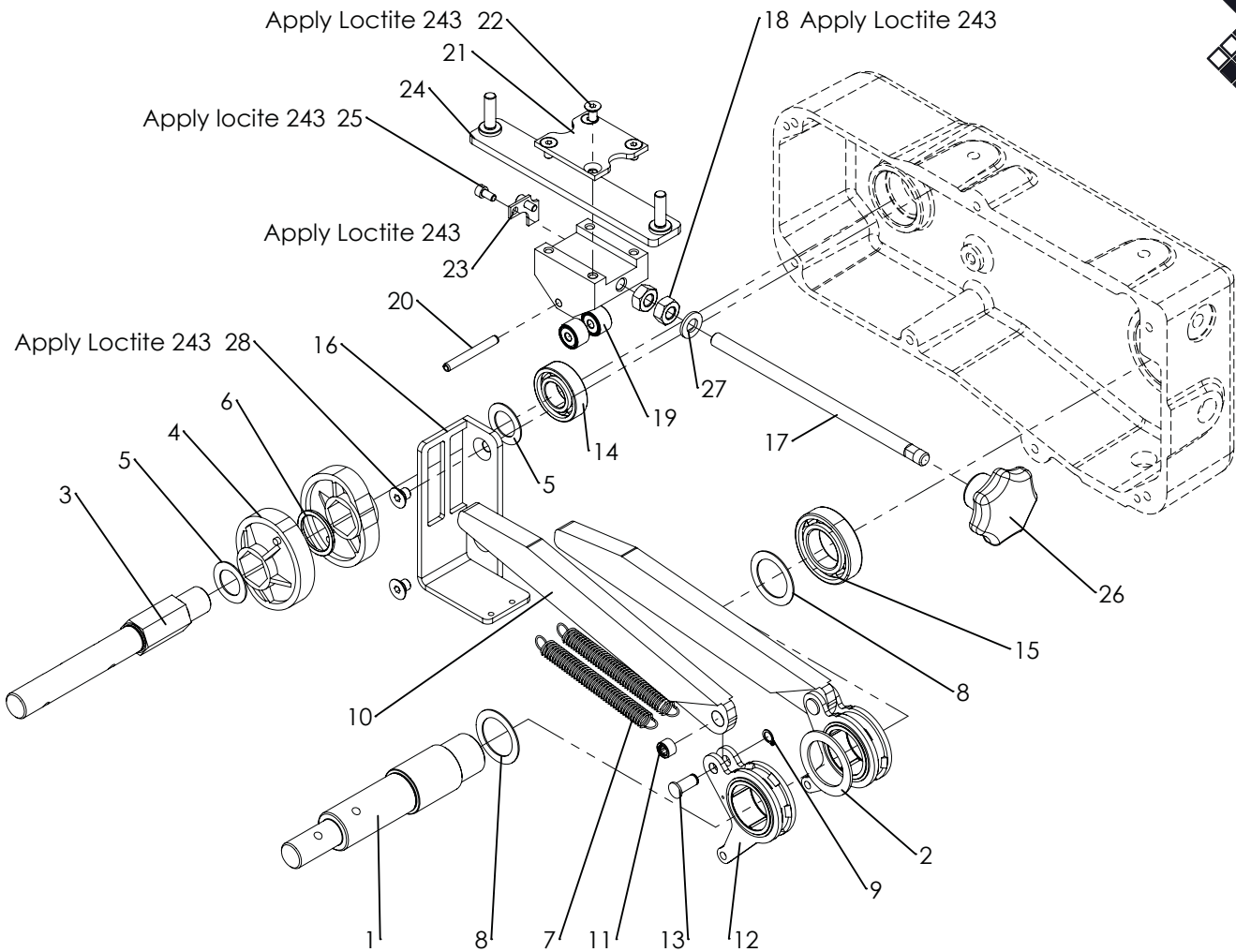






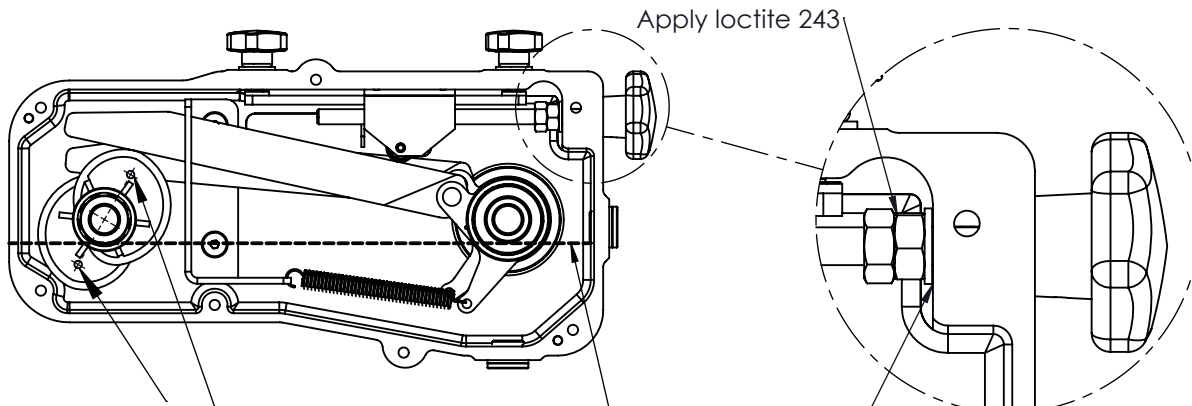


ITEM	PART NUMBER	DESCRIPTION	REMARKS	QUA
1	468.064.060	Lid plate		1
2	434.210.850	Bearing hub Ø42		1
3	434.230.850	Bearing hub Ø55		1
4	874.060.020	Bonded seal ring M6		6
5	804.060.160	Bolt M6 x 16 - ISO 4017		6
6	448.380.800	Casted gearbox housing		1
7	444.021.380	Window		1
8	934.140.510	Gauge decall		1
9	711.200.120	Bearing 6004		2
10	711.300.132	Bearing 6006		2
11	762.300.080	Oil seal 30-45-8		1
12	762.200.070	Oil seal 20-32-7		1
13	874.210.020	Copper washer 1_2		2
14	549.210.200	Blind plug G1/2		2
15	864.080.024	Large washer M8 - DIN 9021		9
16	866.080.020	Spring Washer M8 - DIN 127		7
17	804.080.350	Bolt M8 x 35 - ISO 4017		7
18	836.080.402	Closed Knob M8 - Din 6335		2
19	876.060.260	Parallel pin ISO 8734 - 6 x 26		2
	623.200.400	Gearbox complete		



ITEM	PART NUMBER	DESCRIPTION	REMARKS	QUA
1	422.351.382	Shaft		1
2	444.020.500	Washer		1
3	422.242.020	Shaft		1
4	444.200.730	Excenter		2
5	868.032.100	Shim Ø20xØ32x1.0 DIN988	Quantity depending on clearance	
6	406.280.030	Spacer		1
7	575.010.800	Spring		2
8	868.042.100	Shim Ø30xØ42x1.0 DIN988	Quantity depending on clearance	
9	870.008.080	Circlip d=8 - DIN 471		2
10	464.152.702	Rocker strip		2
11	721.080.080	Bearing HK0808		2
12	442.200.980	Rocker arm assembly		2
13	418.080.200	Pin		2
14	711.200.120	Bearing 6004		1
15	711.300.132	Bearing 6006		1
16	470.120.550	Guide		1
17	852.102.100	Threaded rod M10x210		1
18	826.100.100	Nut M10 - DIN 934		2
19	721.060.120	Roller bearing		2
20	878.060.500	Roll Pin 6 x 50 - ISO 8752		1
21	468.040.530	Lock plate		1
22	816.060.122	Bolt M6 x 12 - DIN 7991		4
23	468.020.490	Indicator		1
24	468.061.620	Slider bracket		1
25	814.050.100	DIN 912 M5 x 10 --- 10C		2
26	836.100.630	Knob M10 with set screw		1
27	864.100.030	Washer M10 - ISO 7089		1
28	816.080.100	Bolt M8 x 10 - DIN 7991		2

Timing, Spindle adjustment and Oil level



Apply loctite 243

Keep $\pm 2\text{mm}$ (0.08") clearance distance between washer and casing! Adjustment must rotate smooth.

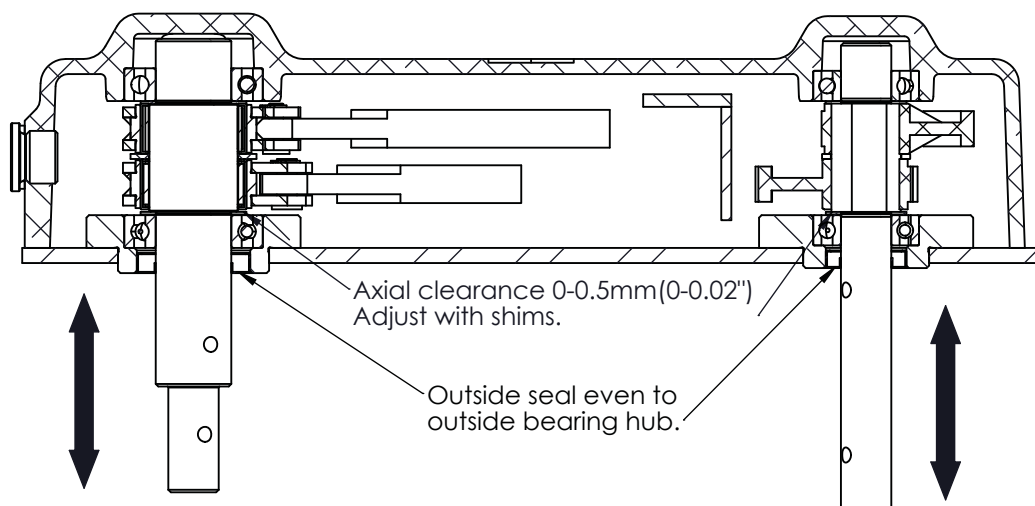
Warning! Make sure the excenters are positioned correct:

- The nodge has to be faced outwards.
- Timing: 180° shifted from each other

If not correctly installed a shocked rotation will occur at the output shaft.

Fill gearbox with $\pm 1,4\text{L}$ (0.37gal.) 80W90 oil
Fill till oil level line (Bottom level plug)

Axial clearance

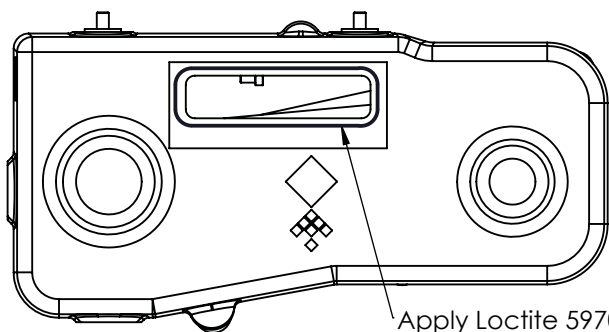


Axial clearance 0-0.5mm (0-0.02")
Adjust with shims.

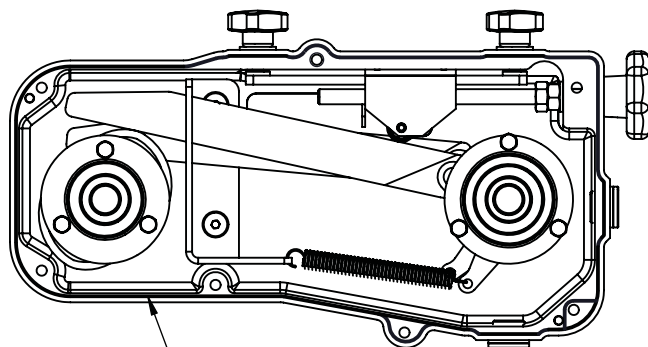
Outside seal even to outside bearing hub.

Sealing plan

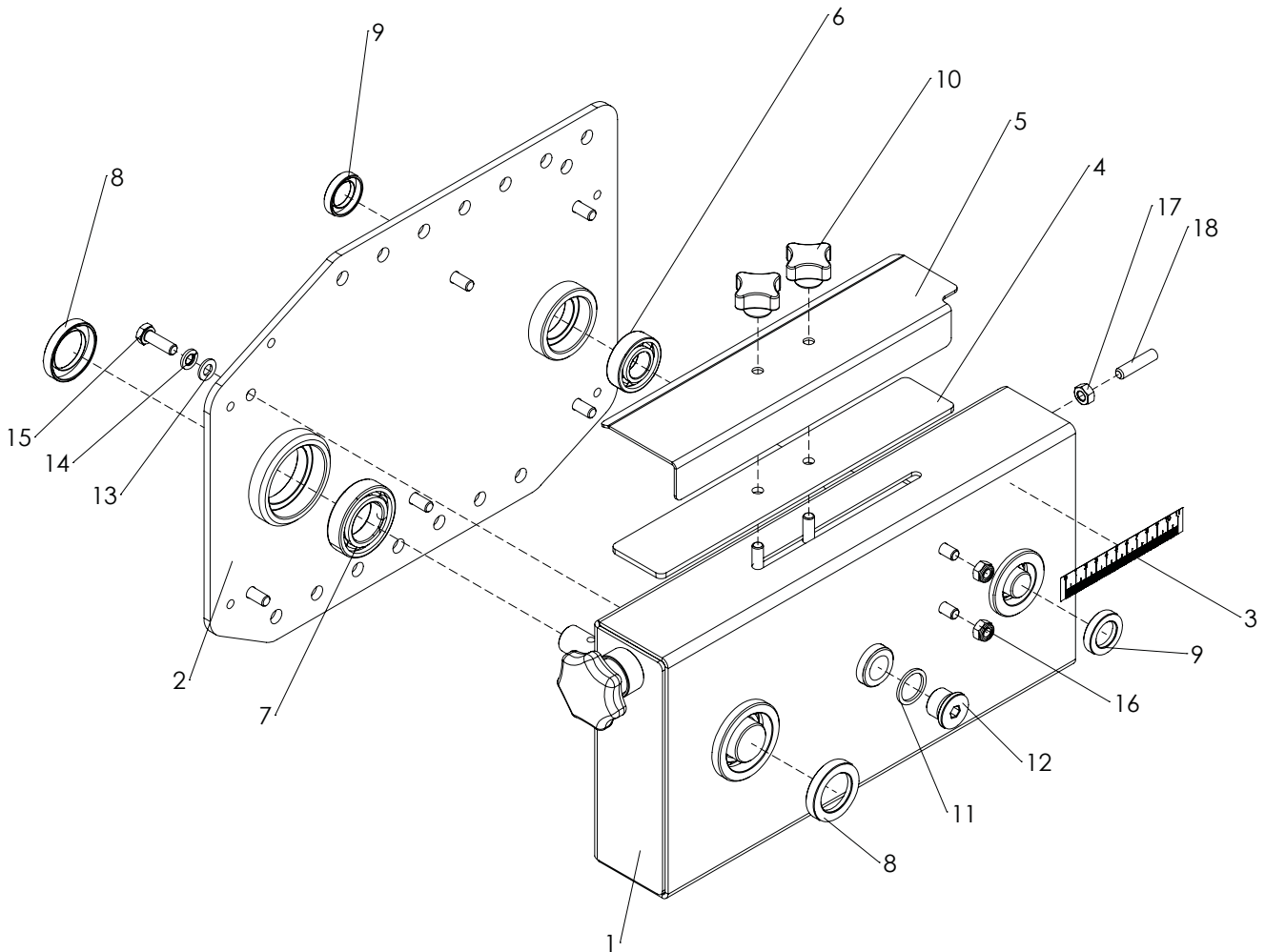
1. Put sealing paste (Loctite 5970) on the gearbox housing according to the closed line as shown on the pictures below.
2. Make sure to put sealing paste around the threaded holes.
3. Make sure to clean the edges from excess sealant.



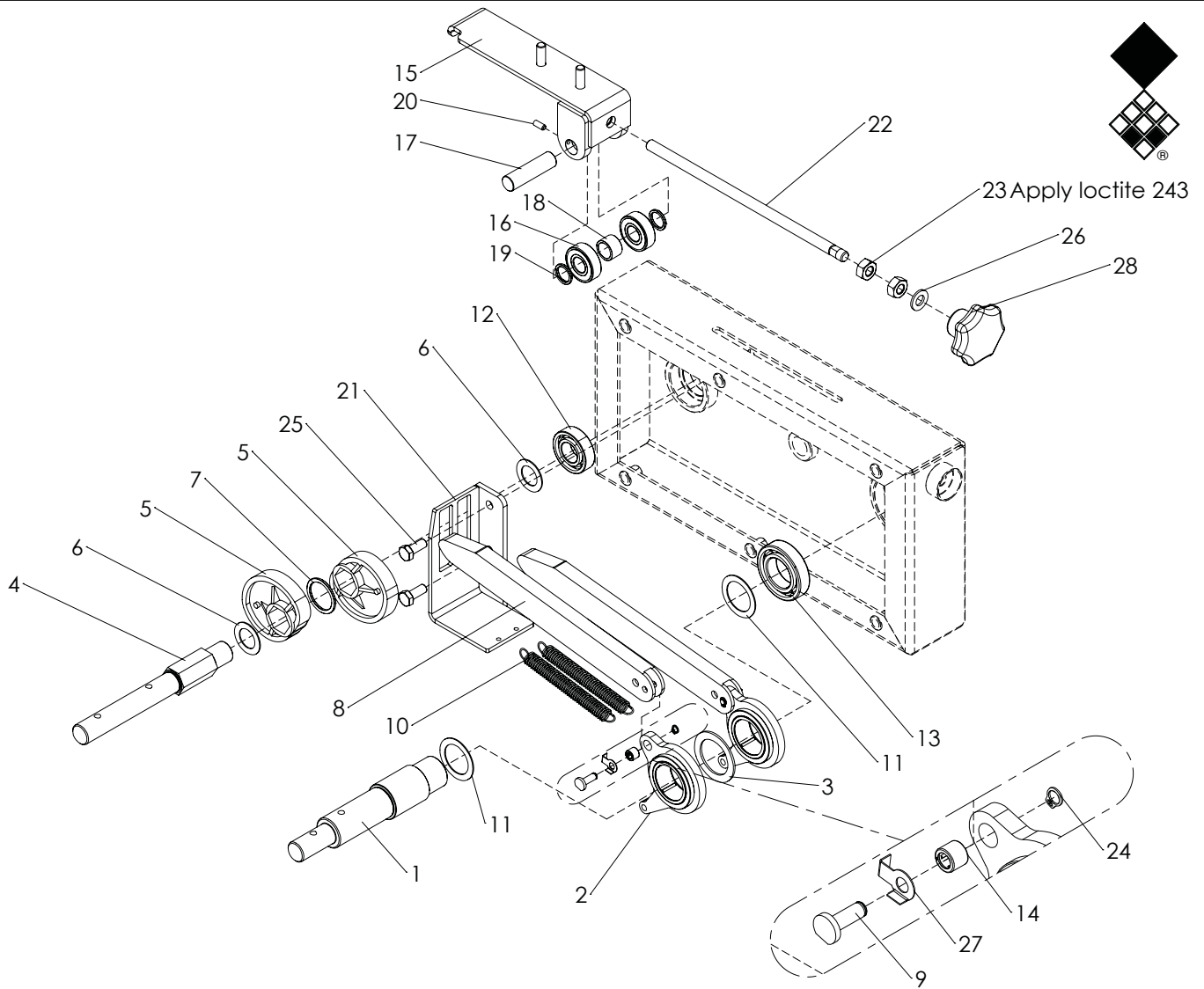
Apply Loctite 5970 (acid free sealing paste)



Apply Loctite 5970 (acid free sealing paste)



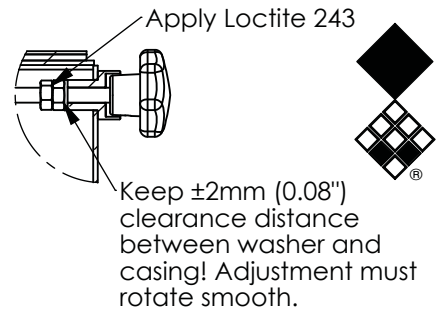
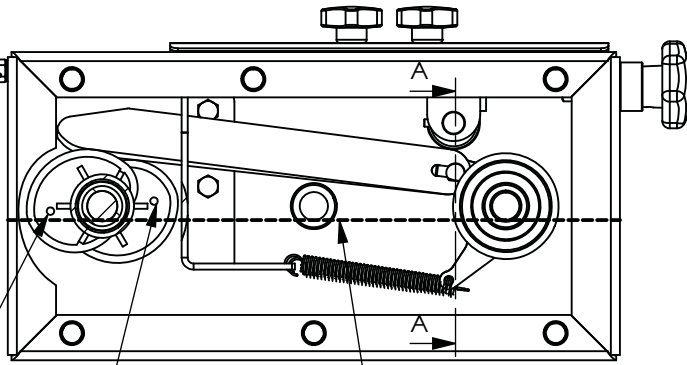
ITEM	PART NUMBER	DESCRIPTION	REMARKS	QUA
1	470.034.052	Gearbox housing		1
2	470.064.004	Gearbox lid		1
3	922.340.014	Gauge decall		1
4	444.032.900	Slider seal		1
5	468.022.900	Indicator		1
6	711.200.120	Bearing 6004		1
7	711.300.132	Bearing 6006		1
8	762.300.080	Oil seal 30-45-8		2
9	762.200.070	Oil seal 20-32-7		2
10	836.080.402	Closed Knob M8 - Din 6335		2
11	874.210.020	Copper washer 1_2		1
12	549.210.200	Blind plug G1/2		1
13	864.080.030	Washer M8 - ISO 7089		6
14	866.080.020	Spring Washer M8 - DIN 127		6
15	804.080.250	Bolt M8 x 25 - ISO 4017		6
16	830.080.080	Self Lock Nut M8 - ISO 10511		2
17	826.080.080	Nut M8 - DIN 934		1
18	818.080.350	Set screw M8x35 - DIN 913		1
	623.246.405	Gearbox complete		



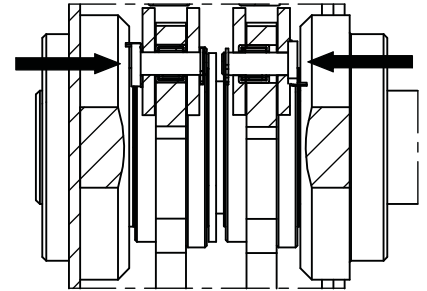
ITEM	PART NUMBER	DESCRIPTION	REMARKS	QUA
1	422.351.382	Shaft		1
2	478.019.101	Pivot point		1
3	444.020.500	Washer		1
4	422.242.020	Shaft		1
5	444.200.730	Excenter		2
6	868.032.100	Shim Ø20xØ32x1.0 DIN988	Quantity depending on clearance	
7	406.280.030	Spacer		1
8	464.152.600	Swing arm		2
9	418.060.190	Pin		2
10	575.010.800	Spring		2
11	868.042.100	Shim Ø30xØ42x1.0 DIN988	Quantity depending on clearance	
12	711.200.120	Bearing 6004		1
13	711.300.132	Bearing 6006		1
14	721.060.080	Bearing HK0608		2
15	470.041.980	Slider bracket		1
16	713.150.110	Bearing 6202-LLU		2
17	414.150.550	Shaft		1
18	406.150.132	Bush		1
19	406.150.020	Bush		2
20	818.050.120	Set screw M5 x 12 - DIN 913		2
21	470.041.190	Guide		1
22	852.102.500	Threaded rod M10x250		1
23	826.100.100	Nut M10 - DIN 934		2
24	870.006.070	Circlip d=6 - DIN 471		2
25	804.080.200	Bolt M8 x 20 - ISO 4017		2
26	864.100.030	Washer M10 - ISO 7089		1
27	874.060.240	Lock washer		2
28	836.100.630	Knob M10 with set screw		1

Timing, Spindle adjustment and Grease level

Adjust till max. output is 4:1



SECTION A-A
Place pins from correct side and fold lock plate.

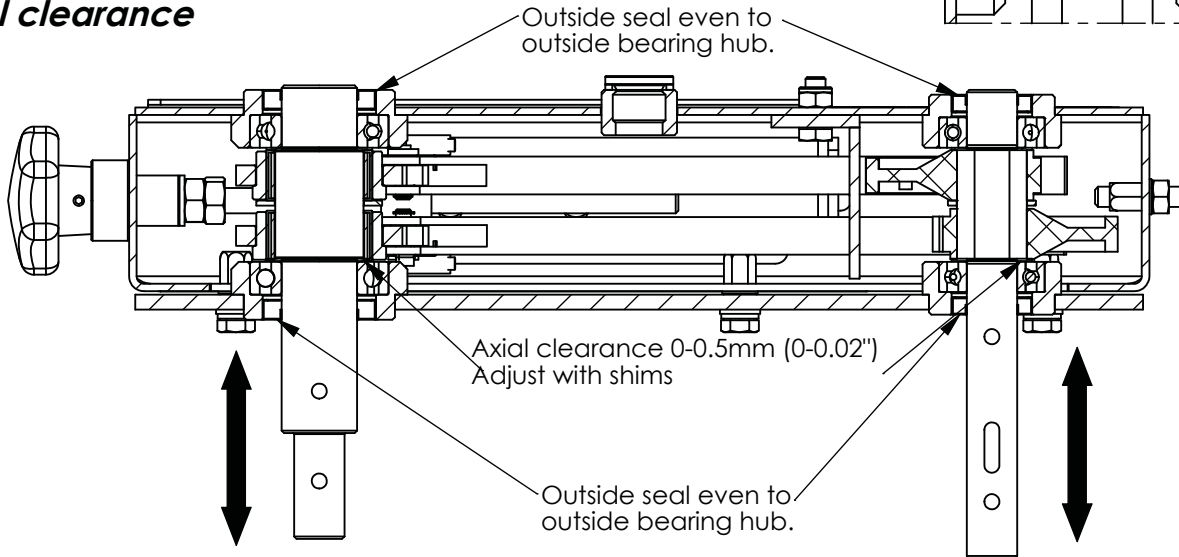


Warning! Make sure the excenters are positioned correct: Fill gearbox with $\pm 2.8\text{kg}$ (6.17lbs.) EP0 grease Fill till level line (Bottom level plug)

- The nodge has to be faced outwards.
- Timing: 180° shifted from each other.

If not correctly installed a shocked rotation will occur at the output shaft.

Axial clearance



Sealing plan

1. Place sealing paste (Loctite 5970) on gearbox housing as shown in the pictures below. When the guide (1) is removed also apply sealant to the bolts.
2. Place gearbox lid on gearbox housing.
3. Fill bolt holes with silicone sealing before mounting the bolts of the gearbox lid.
4. Make sure to clean the edges of excess sealant.

