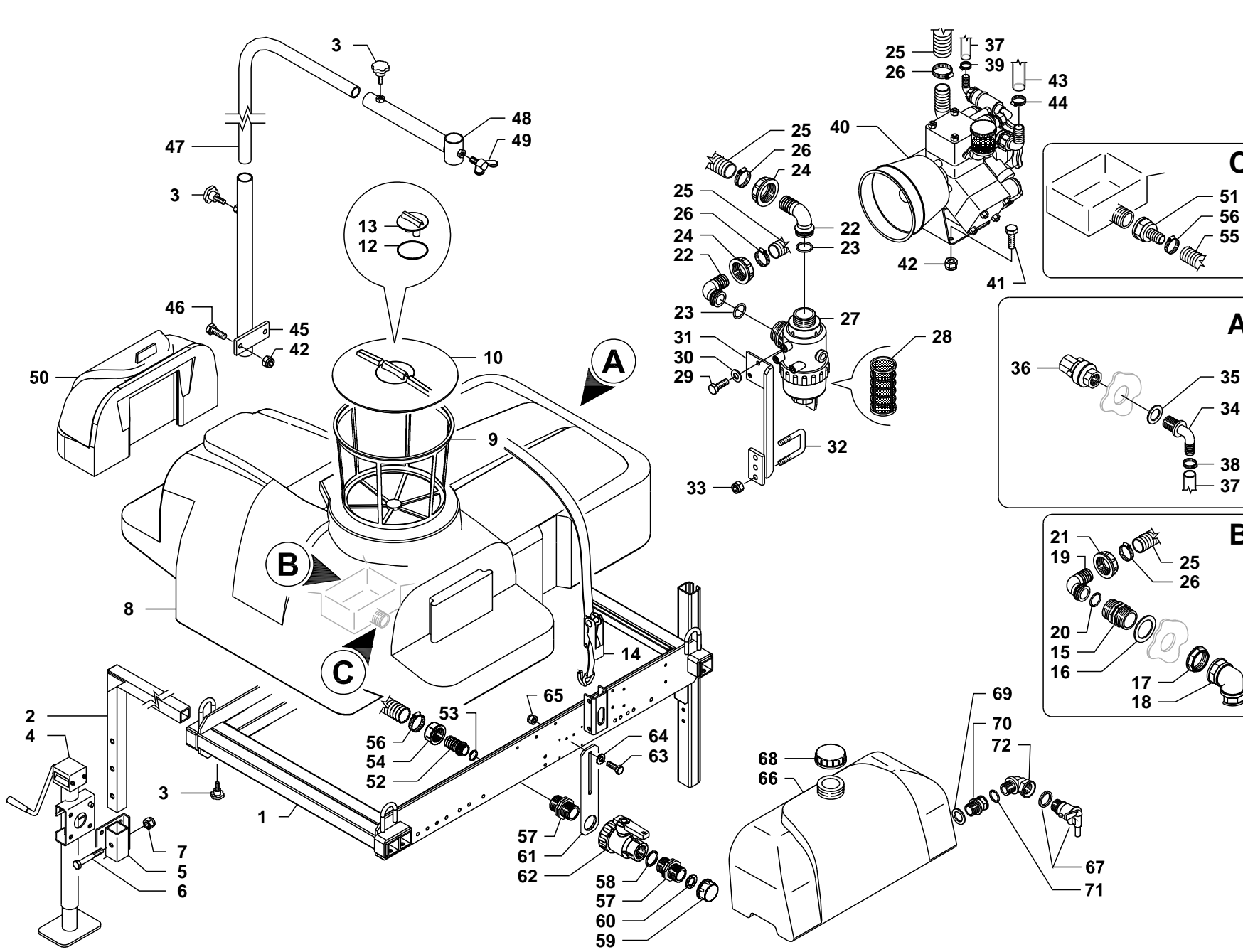
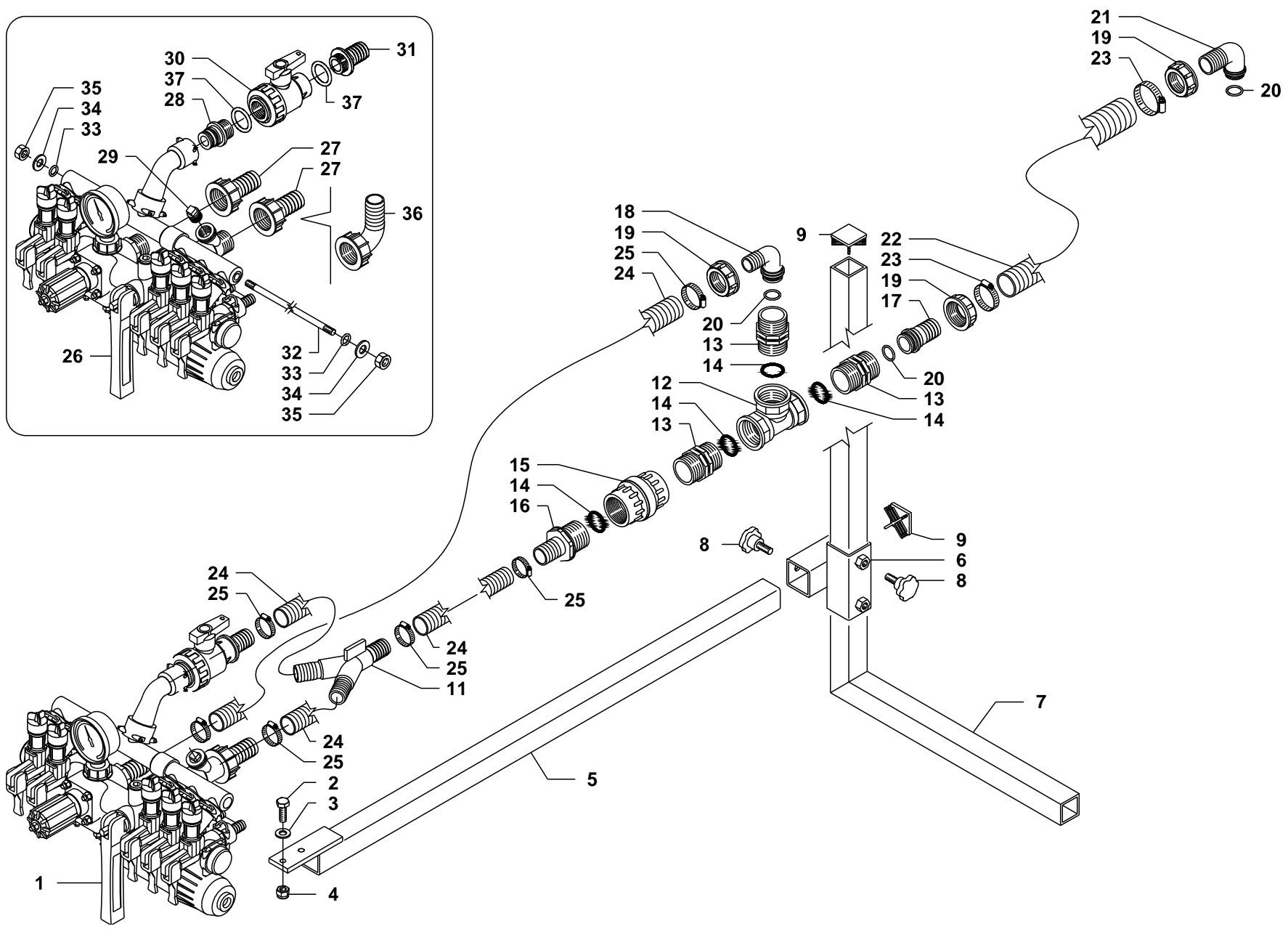
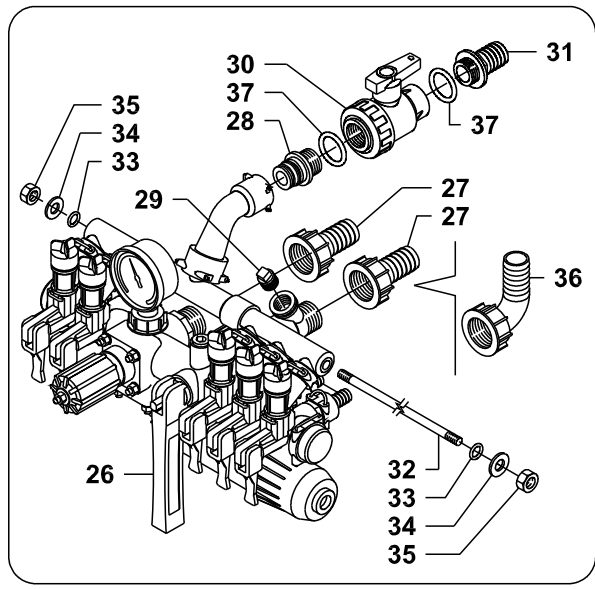


- 1 BG023321 H1
- 2 GG430400025V
- 3 GG950410030
- 4 GG920100047
- 5 GG430400026V
- 6 GG900314070Z
- 7 GG905300014
- 8 BG022599 B3
- 8 BG022337 B3
- 9 GGA00300120
- 10 BG006274
- 12 GGA352000.020
- 13 BG004901
- 14 GG950700003
- 15 GGA002502061
- 16 GGA00G40006
- 17 GGA002052060
- 18 GG570100039
- 19 GGA00116630
- 20 GGA00G10061
- 21 GGA002002060
- 22 GGA00116530
- 23 GGA00G10051
- 24 GGA002002050
- 25 GG563080000
- 26 GG919725035X
- 27 BG026269
- 28 GGA318003.030
- 29 GG900108016Z
- 30 GG907008017Z
- 31 GG430400062V
- 32 GG500500001Z
- 33 GG905300010
- 34 GGA00113215L
- 35 GGA00G40002
- 36 GGG008369000
- 37 GG561692000
- 38 GG919701002
- 39 GG919701003
- 40 GGAR30549
- 41 GG900110025Z
- 42 GG905300010
- 43 GG562501000
- 44 GG919725035X
- 45 GG430400087V
- 46 GG900110030Z
- 47 GG430400083V
- 48 GG430400088V
- 49 GG904110020Z
- 50 BG021686 B3

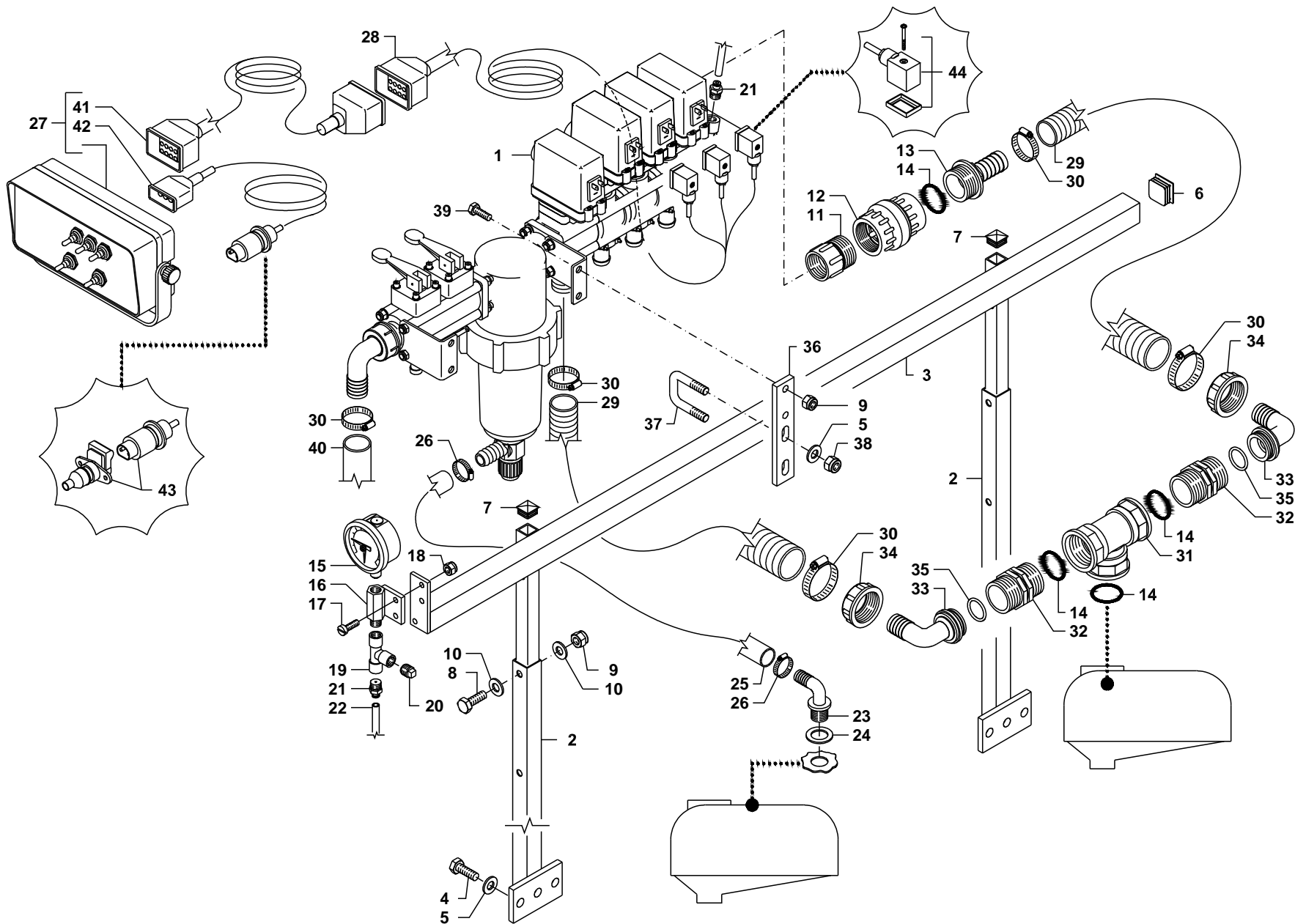
400
600



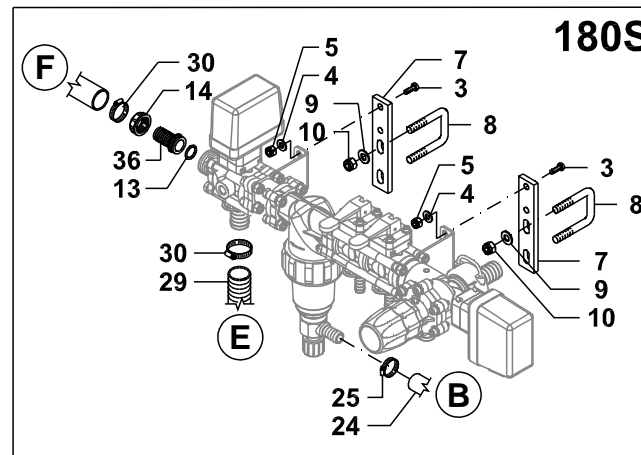
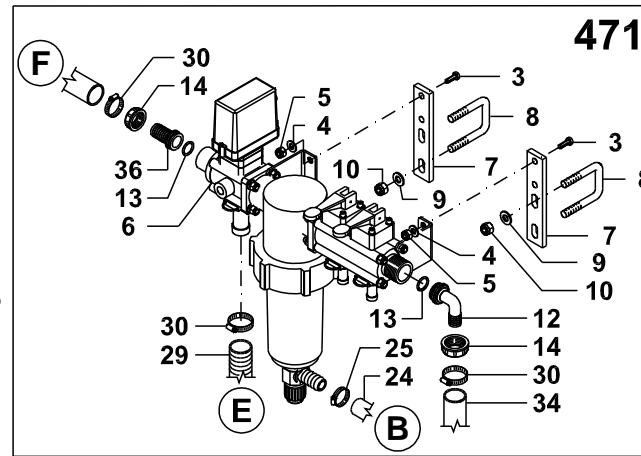
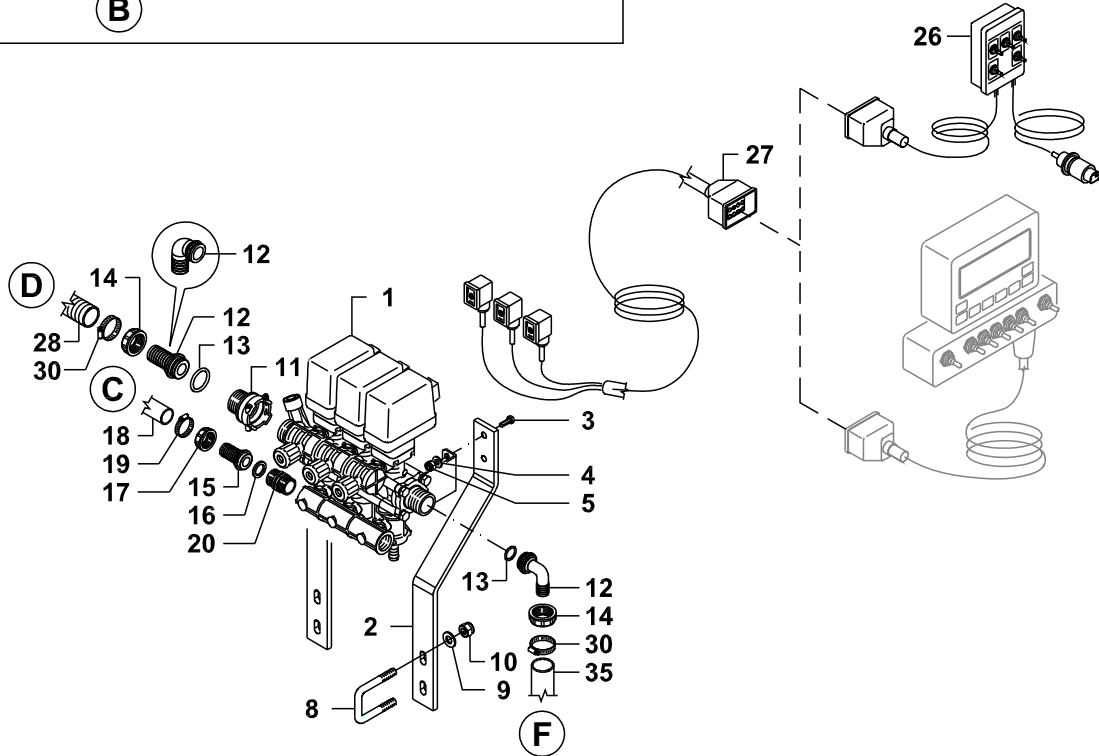
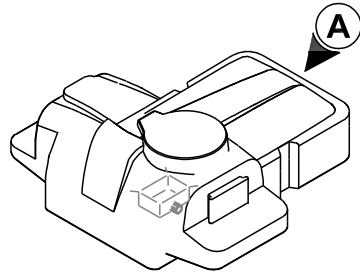
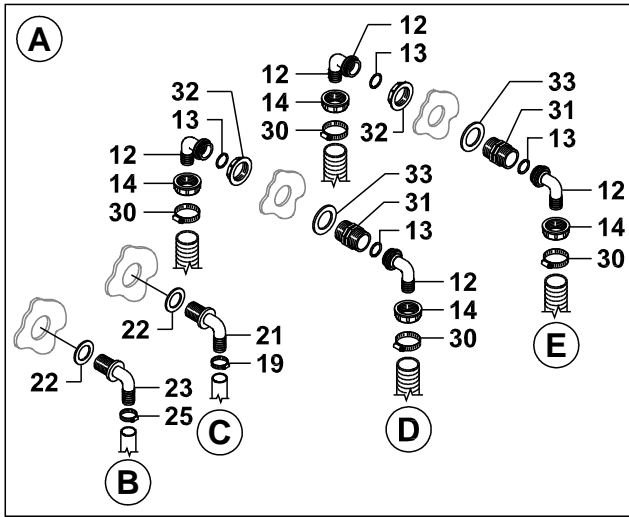
51	GGA00100525
52	GGA00106425
53	GGA00G10041
54	GGA002002040
55	GG562580000
56	GG919725035X
57	GGA002502040
58	GGA00G10061
59	GGA002102040
60	GGA00G40014
61	GG430400072V
62	BG028682
63	GG900108025Z
64	GG907008017Z
65	GG905400008
66	GG610420015
67	GG630100020
68	GG680000017
69	GGA00G40015
70	GGA002452033
71	BG019111
72	BG001483



1	GG996543002
2	GG900108025Z
3	GG907008017Z
4	GG905400008
5	GG430400035V
6	GG430400034V
7	GG430400033V
8	GG950410025
9	GG950140040
11	GGA00140002
12	GGA001302050
13	GGA002502050
14	GGA00G10052
15	GGA00504010
16	GGA00103525
17	GGA00106530
18	GGA00116525
19	GGA002002050
20	GGA00G10051
21	GGA00116530
22	GG563080000
23	GG919725035X
24	GG562580000
25	GG919717032X
26	GGAR1358/01
27	GGAR550210
28	GG570100038
29	BG010131
30	GGA004542133
31	GGA00103325S
32	GG500100095X
33	GGA400020.030
34	GG907106018X
35	GG905100006X
36	GGAR550370
37	GG600200211

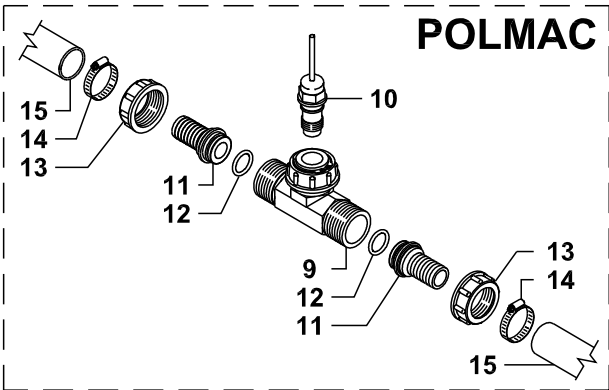


- 1 GGA00463CGA23
- 2 GG430400046V
- 3 GG430400047V
- 4 GG900110020Z
- 5 GG907010021Z
- 6 GG950130030
- 7 GG950120020
- 8 GG900308035Z
- 9 GG905400008
- 10 GG907008017Z
- 11 GGA00245054
- 12 GGA00504010
- 13 GGA00103525
- 14 GGA00G10052
- 15 GG680000028
- 16 GG392000235Z
- 17 GG904506020Z
- 18 GG905300006
- 19 GG570100034Z
- 20 GG750400317
- 21 GG820110007
- 22 GG560284000
- 23 GGA001132215
- 24 GGA00G40002
- 25 GG561692000
- 26 GG919701002
- 27 BG000209
- 28 GGA4662530.220
- 29 GG562580000
- 30 GG919717032X
- 31 GGA001302050
- 32 GGA002502050
- 33 GGA00116525
- 34 GGA002002050
- 35 GGA00G10051
- 36 GG650300015V
- 37 GG500500003Z
- 38 GG905300010
- 39 GG900108020Z
- 40 GG562501000
- 41 GGA466550.080
- 42 GGA4662630.090
- 43 GGA00466111
- 44 GGA00ECS0015

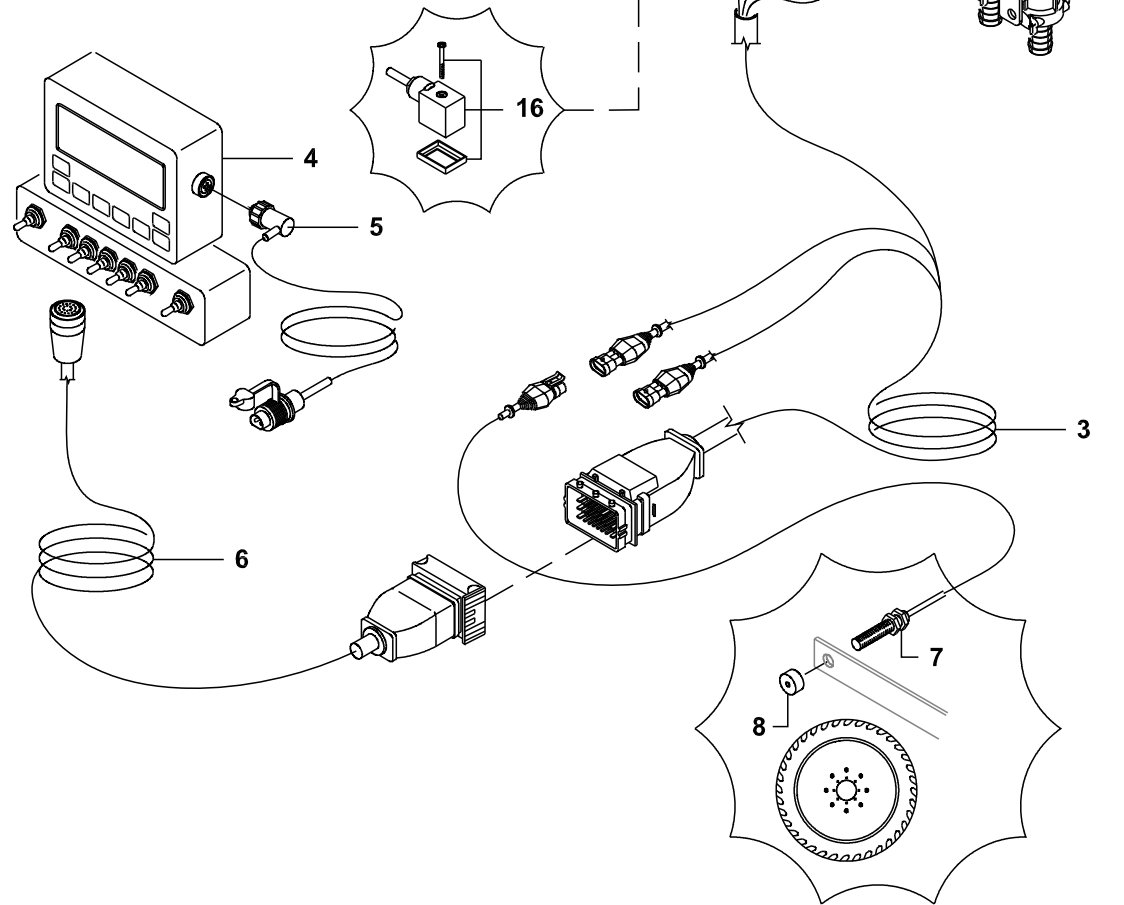
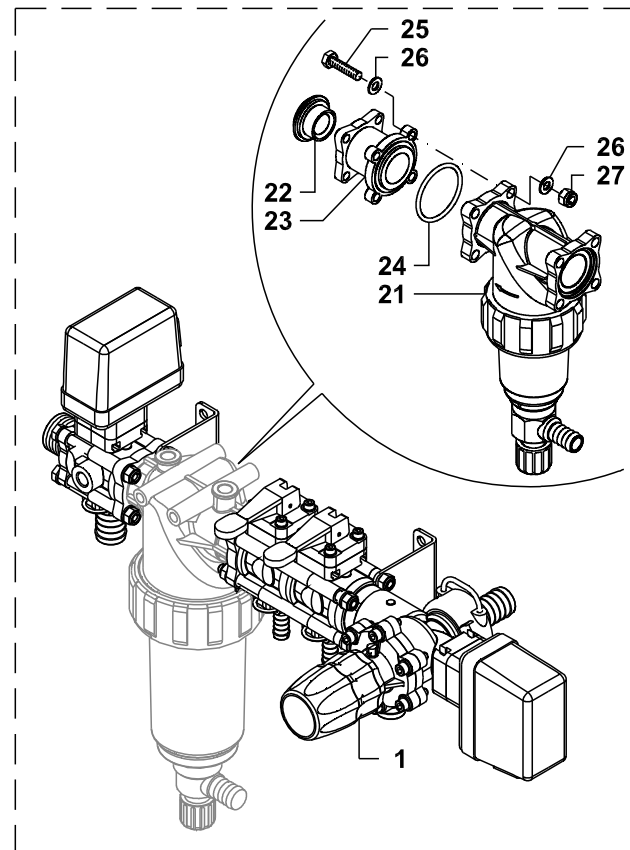
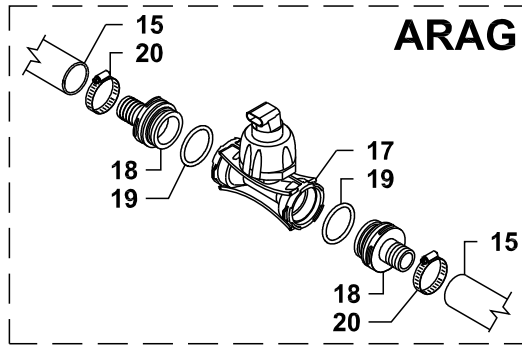


1	GGA00463CGA12	
2	BG022245	
3	GG900108020Z	
4	GG907008017Z	
5	GG905400008	
6	BG022578	471
7	BG020404	
8	GG500500001Z	
9	GG907010021Z	
10	GG905400010	
11	BG019277	
12	GGA00116425	471
12	GGA00106525	Bravo 180S
13	GGA00G10041V	471
13	GGA00G10051V	Bravo 180S
14	GGA002002040	471
14	GGA002002050	Bravo 180S
15	GGA00105320	
16	GGA00G40013	
17	GGA002002030	
18	GG561900000	
19	GG919714027X	
20	GGA002502030	
21	BG011332	
22	GGA00G40002	
23	GGA001132215	
24	GG561692000	
25	GG919701002	
26	BG022460	471
27	BG020265	471
27	BG027280	Bravo 180S
28	GG562580000	
29	GG562580000	
30	GG919717032X	
31	GGA002502041	
32	GGA002052040	
33	GGA00G40004	
34	GG562580000	
35	GG562501000	
36	GGA00106425	

POLMAC

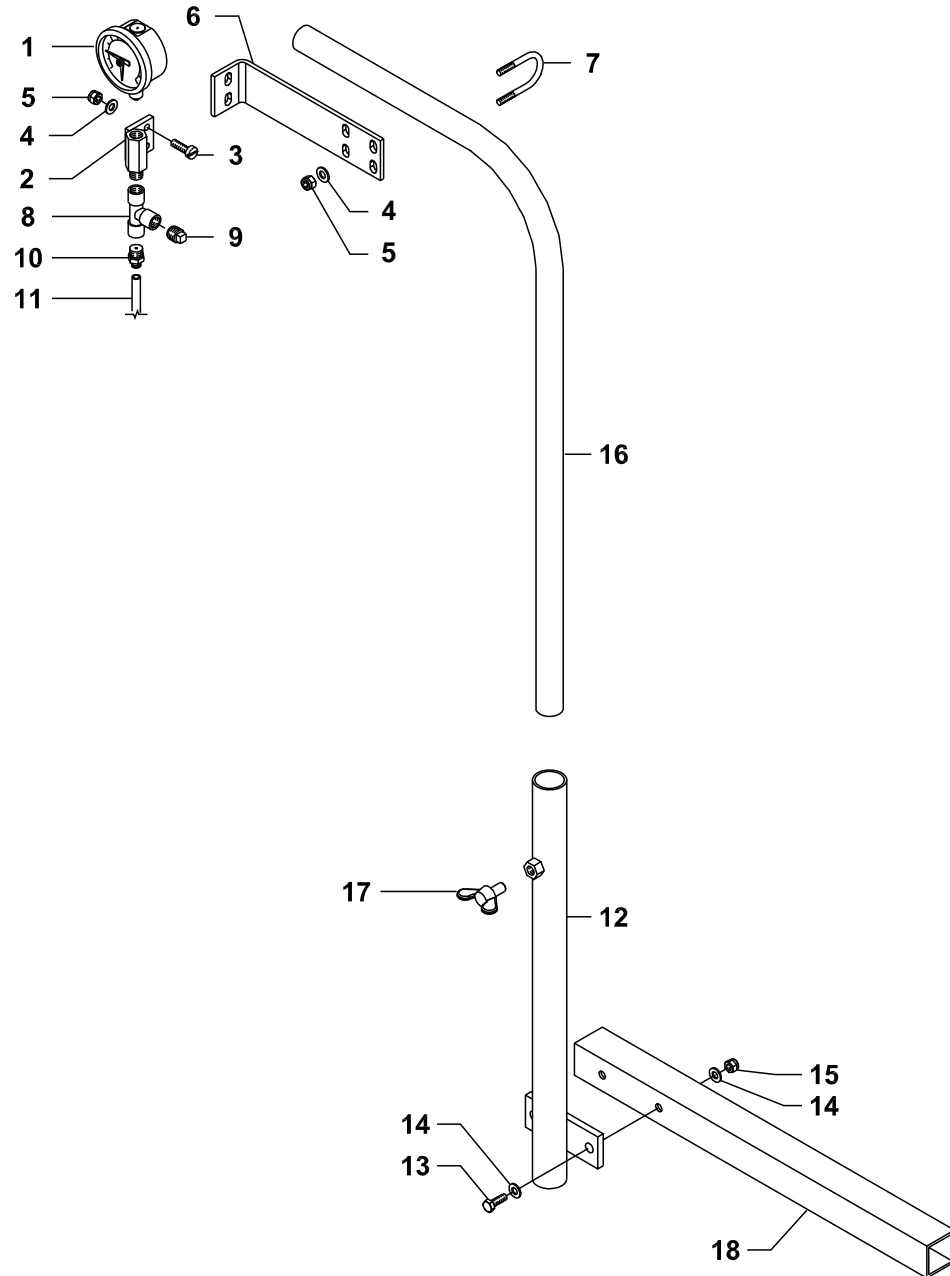


ARAG

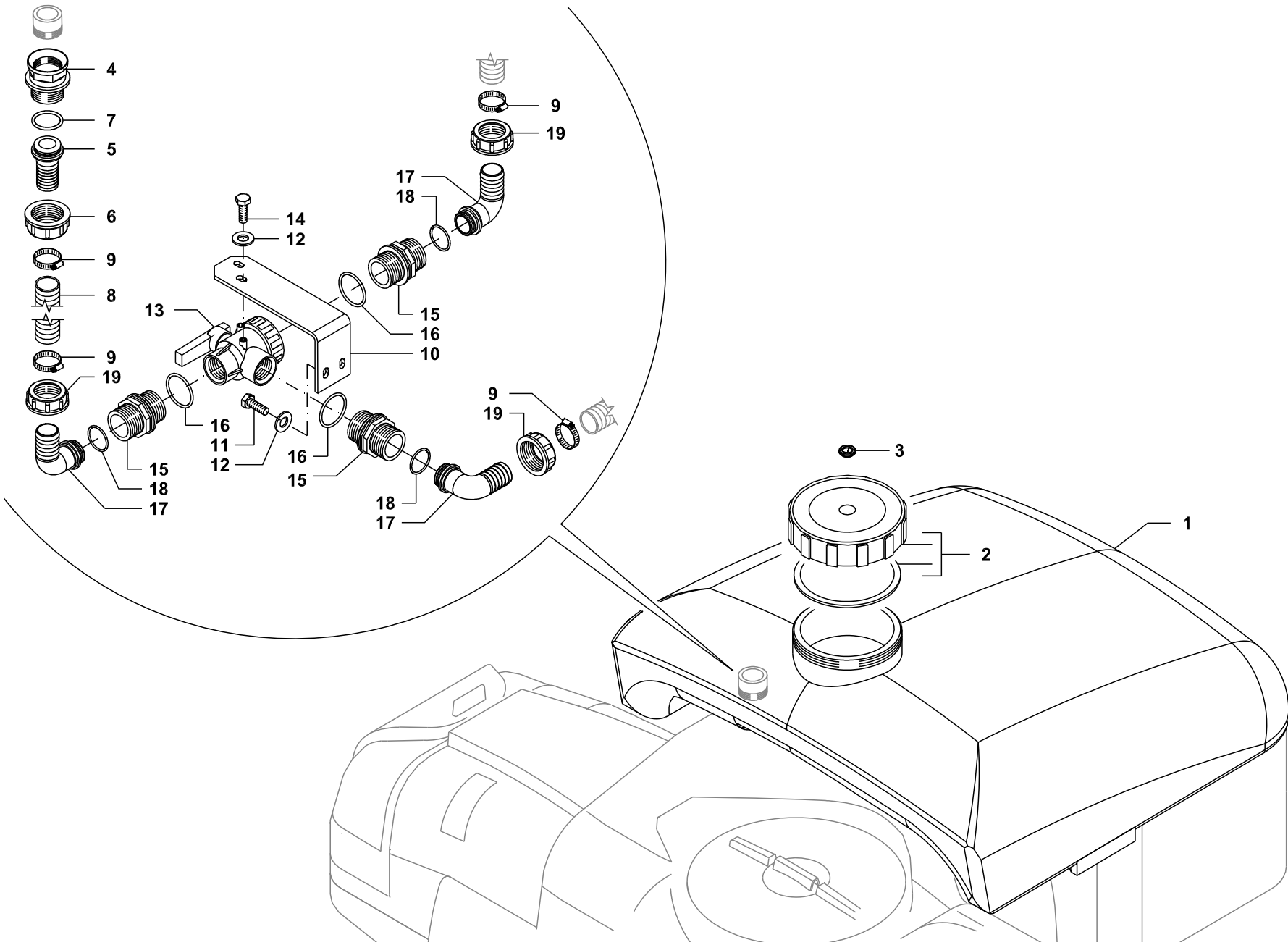


1	GGA00471CGA12
2	GGA00463CGA12
3	BG027580
4	BG030494
5	BG020755
6	BG020267
7	BG020742
8	GG650300104Z
9	GG680000069
10	BG021047
11	GGA00106525
12	GG600200211
13	GGA002002050
14	GG919717032X
15	GG562501000
16	GGA00ECS0015
17	BG029283
18	BG025927
19	BG025726
20	BG025725
21	GG919717032X
22	BG020741
23	GGA461400.029
24	BG006530
25	GGA462300.550V
26	GG900108030Z
27	GG907108024Z
	GG905400008

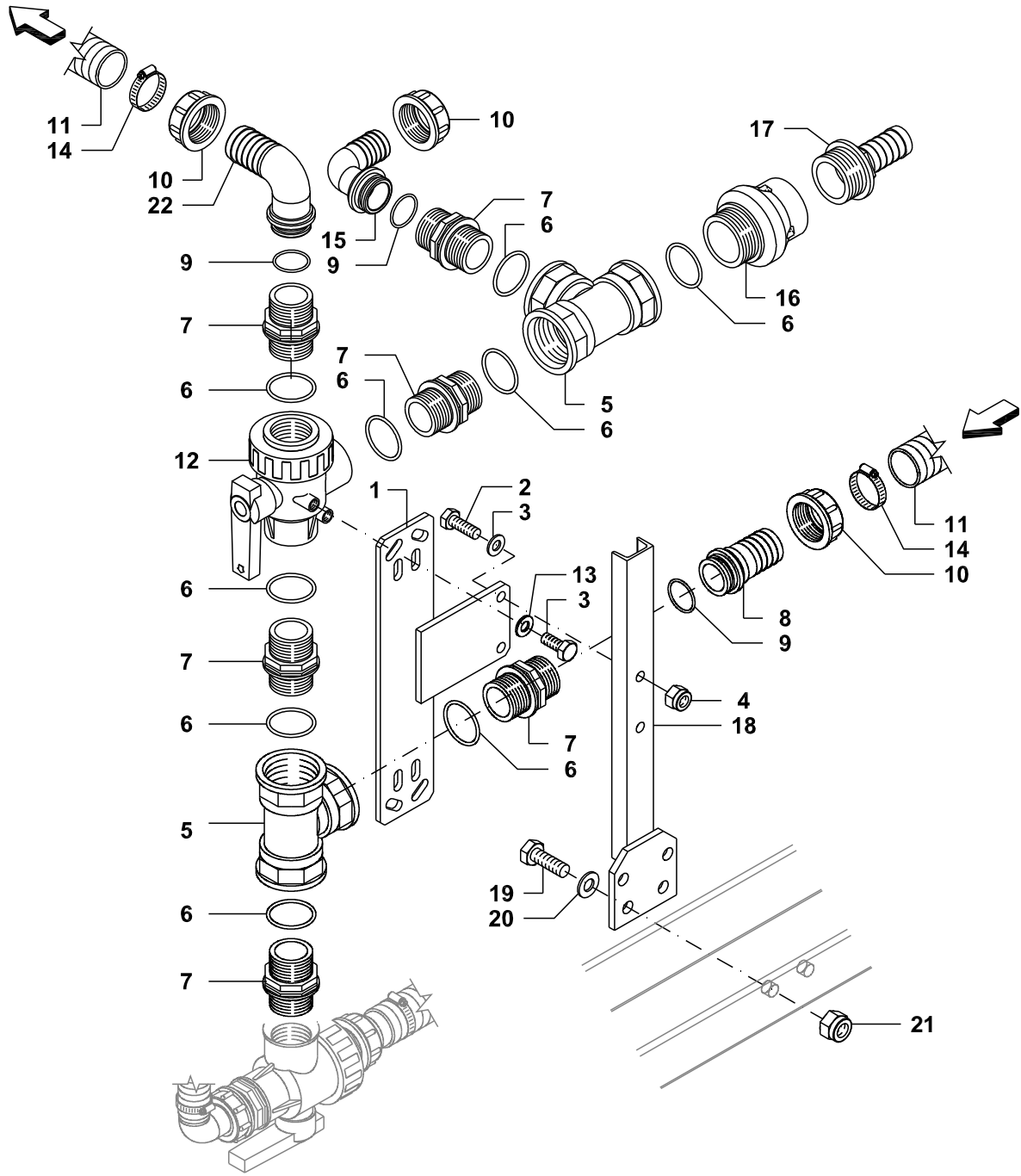
5/100
10/200



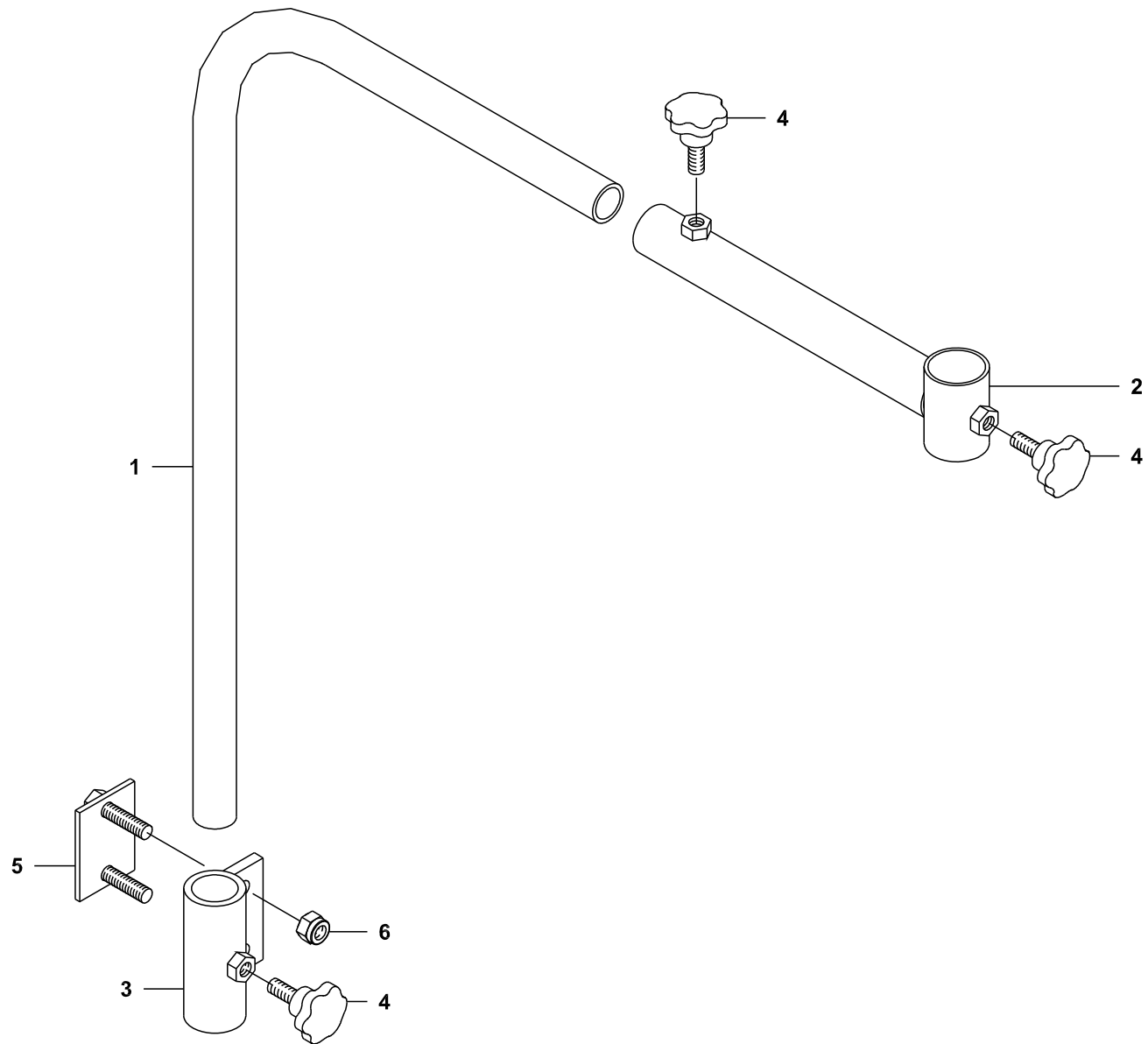
1	GG680000021
2	GG392000235Z
3	GG904506020Z
4	GG907106018Z
5	GG905300006
6	BG020511
7	GG500500030Z
8	GG570100034Z
9	GG570100036Z
10	GG820110007
11	GG560284000
12	GG430400087V
13	GG900308060Z
14	GG907108024Z
15	GG905400008
16	GG430400083V
17	GG904110020Z
18	BG022683



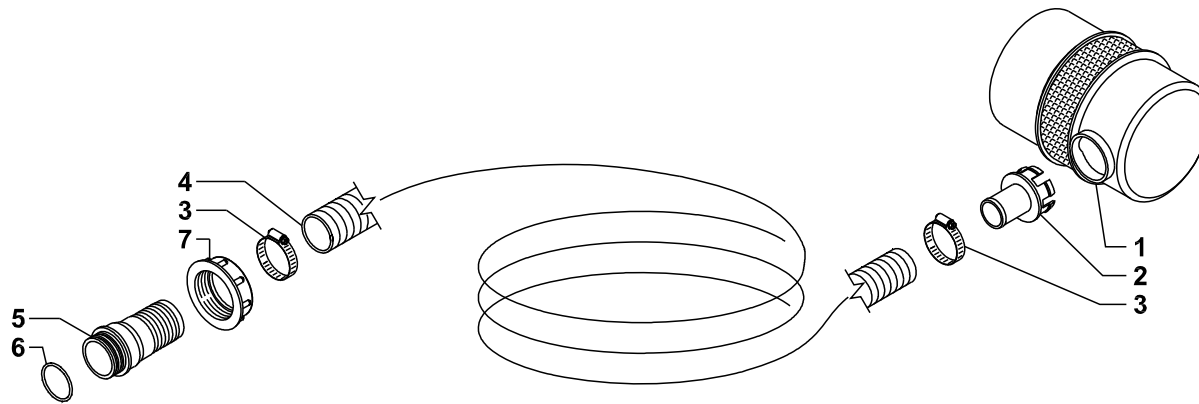
1	BG022338	60L
1	BG021688	80L
2	BG013981	60L
2	BG013981	80L
3	GGA00354320	
3	GGA00504201	
4	BG001563	
5	GGA00106630	
6	GGA002002060	
7	GGA00G10061	
8	GG563080000	
9	GG919717032X	
10	BG022685	
11	GG900108025Z	
12	GG907008017Z	
13	GGA004542235H	
14	GG900108016Z	
15	GGA002502050	
16	GGA00G10052	
17	GGA00116530	
18	GGA00G10051	
19	GGA002002050	



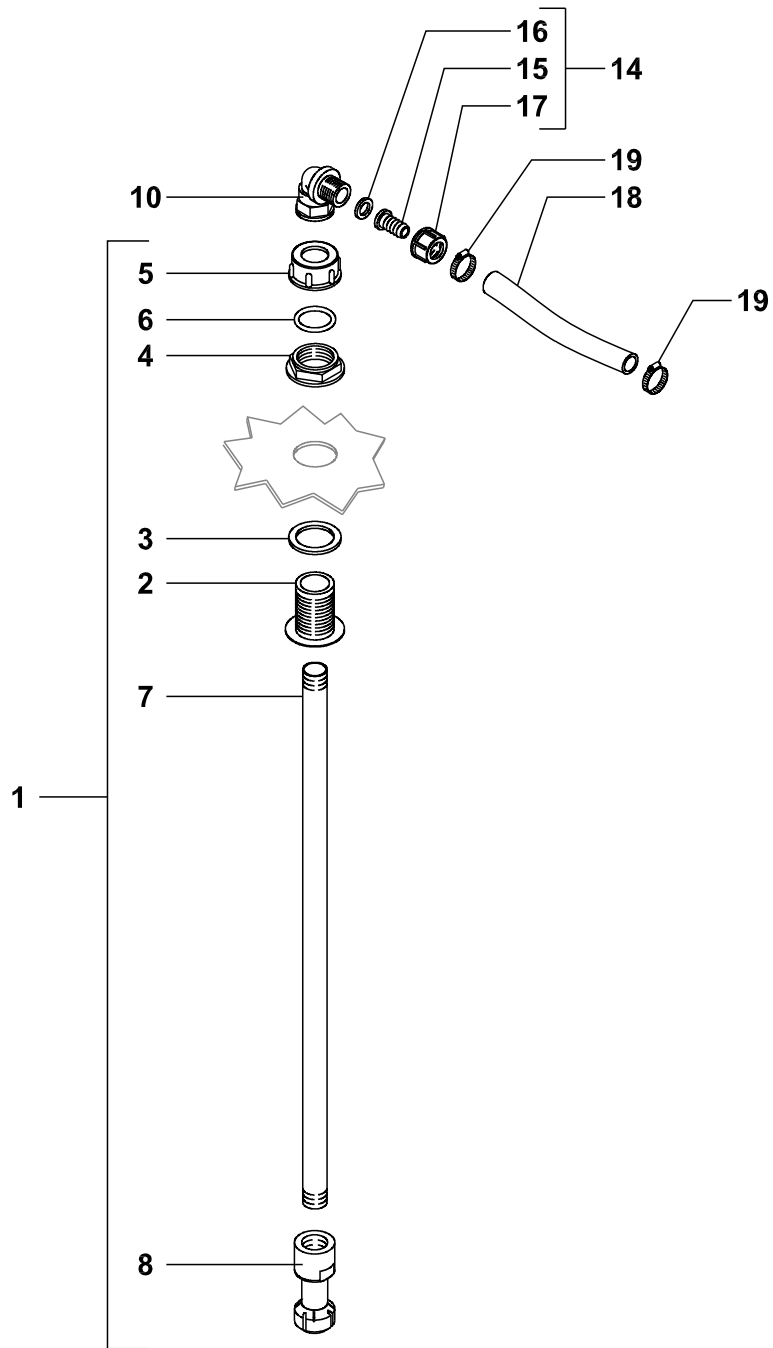
1	GG430400048V
2	GG900308035Z
3	GG907008017Z
4	GG905400008
5	GGA001302050
6	GGA00G10052
7	GGA002502050
8	GGA00106530
9	GGA00G10051
10	GGA002002050
11	GG563080000
12	GGA004542235H
13	GG900108016Z
14	GG919717032X
15	GGA00116525
16	GGA00504010
17	BG014272
18	GG650300006V
19	GG900110030Z
20	GG907010021Z
21	GG905300010
22	GGA00116530



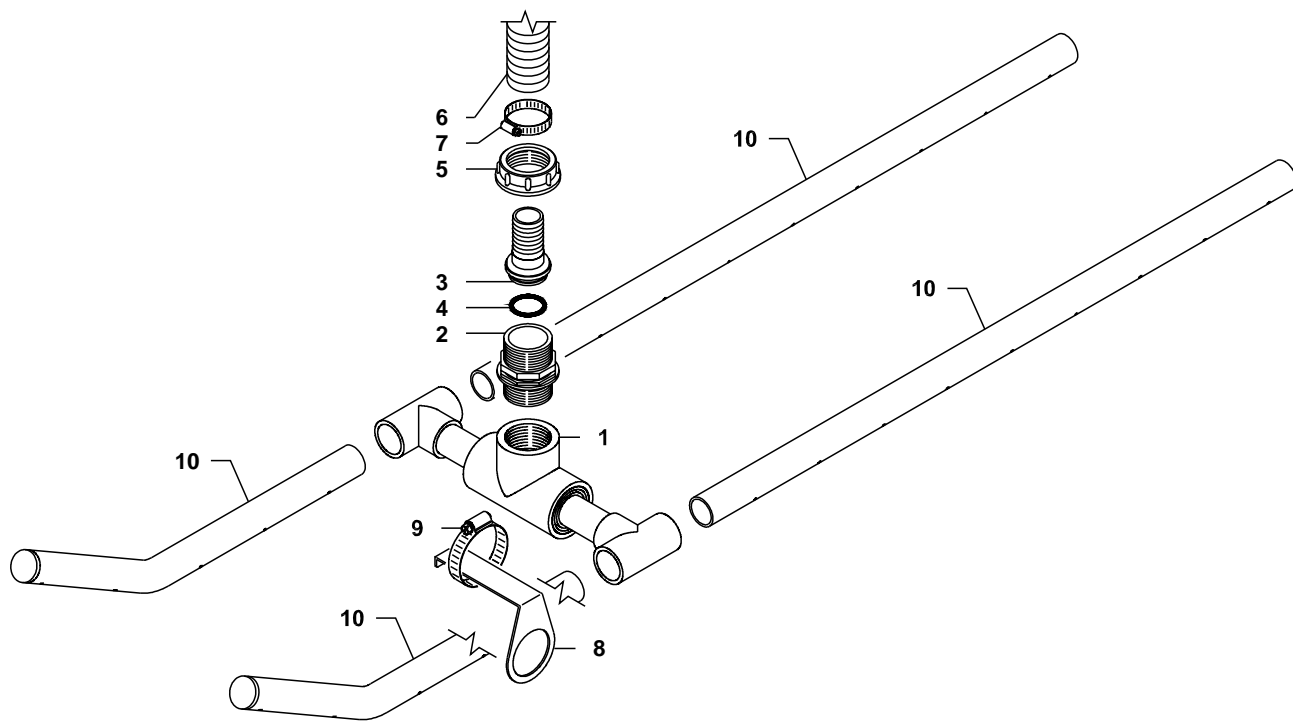
1	GG430400083V
2	GG430400088V
3	GG320200017V
4	GG950410030
5	GG400100017Z
6	GG905300010



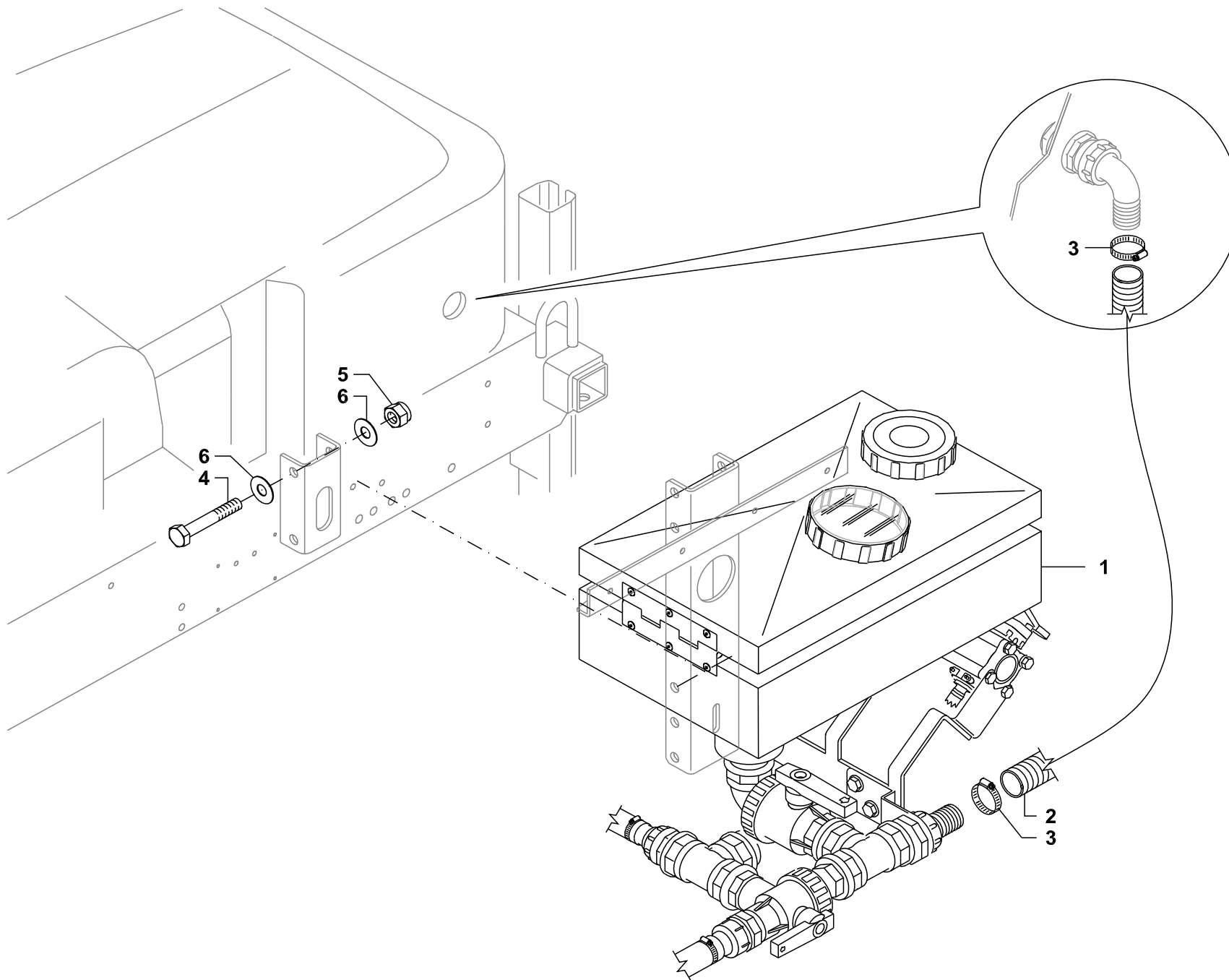
1	GGG008062003	
2	GGG00R00022	
3	GG919727051X	
4	GG564080000	
5	GGA00106640	1"1/2
5	GGA00106740	2"
6	GGA00G10061	1"1/2
6	GGA00G10071	2"
7	GGA002002060	1"1/2
7	GGA002002070	2"



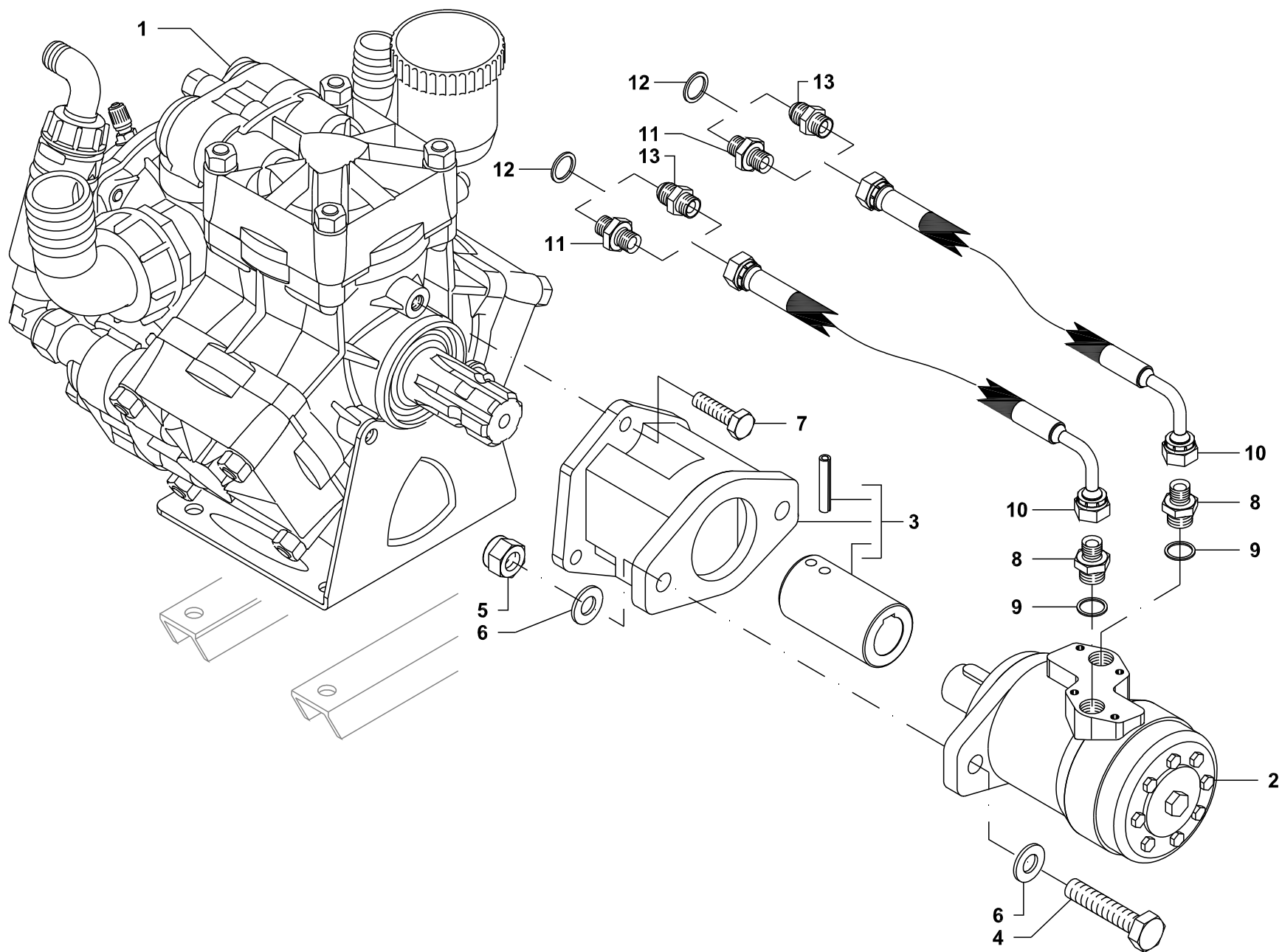
1	GG680000075
2	GGA00220040SS
3	GGA00G400004
4	GGA002052040
5	GGA002102040S
6	GG600200211
7	GG550000570
8	BG027143
9	GGA001262022
10	GG999900035
11	GGA00105213
12	GGA00G40012
13	GGA002002020
14	GG561301000
15	GG919713020



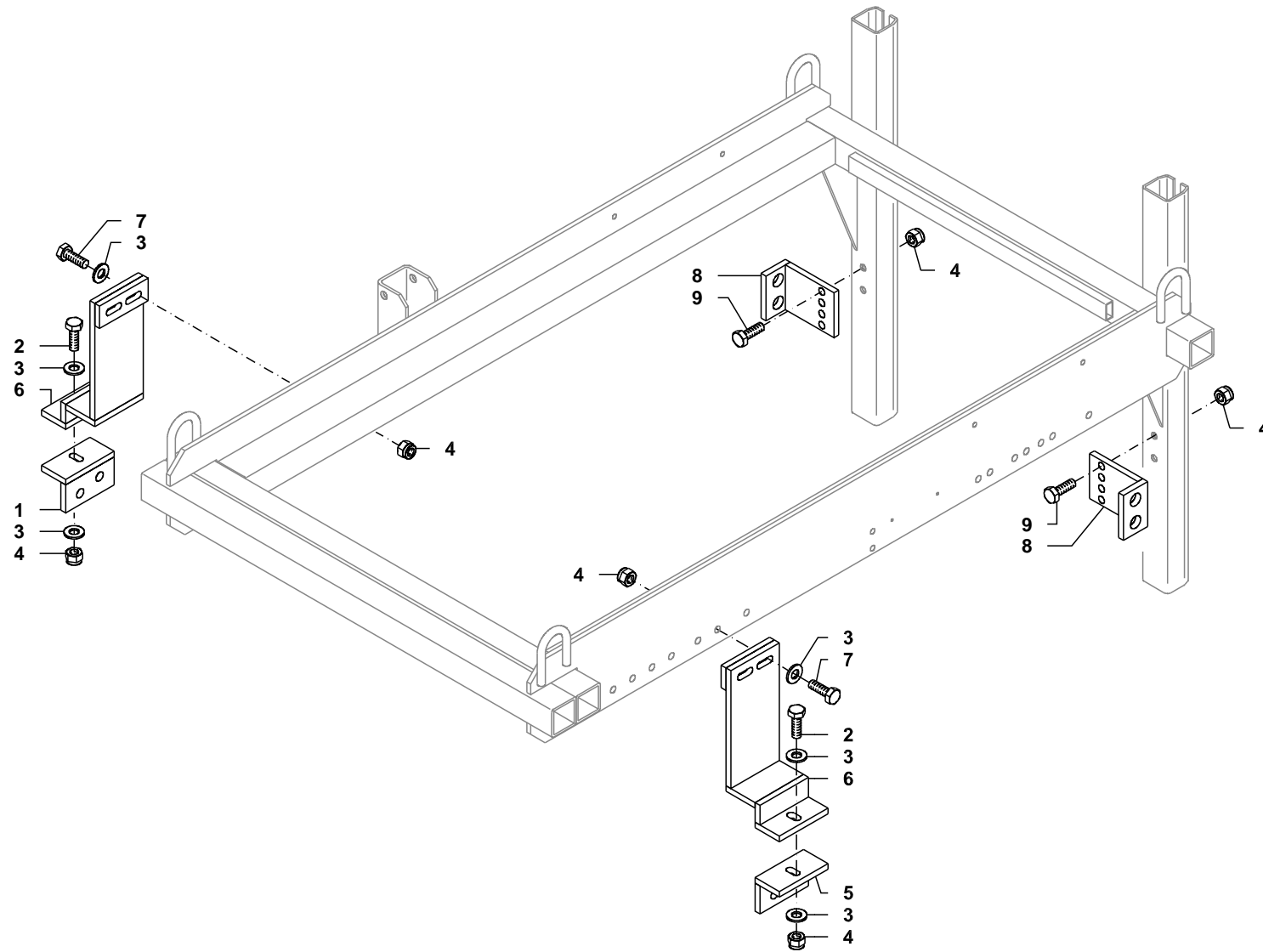
1	GG950200035	
2	GGA002502060	
3	GGA00106630	
4	GGA00G10061	
5	GGA002002060	
6	GG563080000	
7	GG919717032X	
8	GG650300095X	
9	GG919744056X	
10	GGKROB.3930170	400-600l.
10	GGKROB.3930171	700-900l.



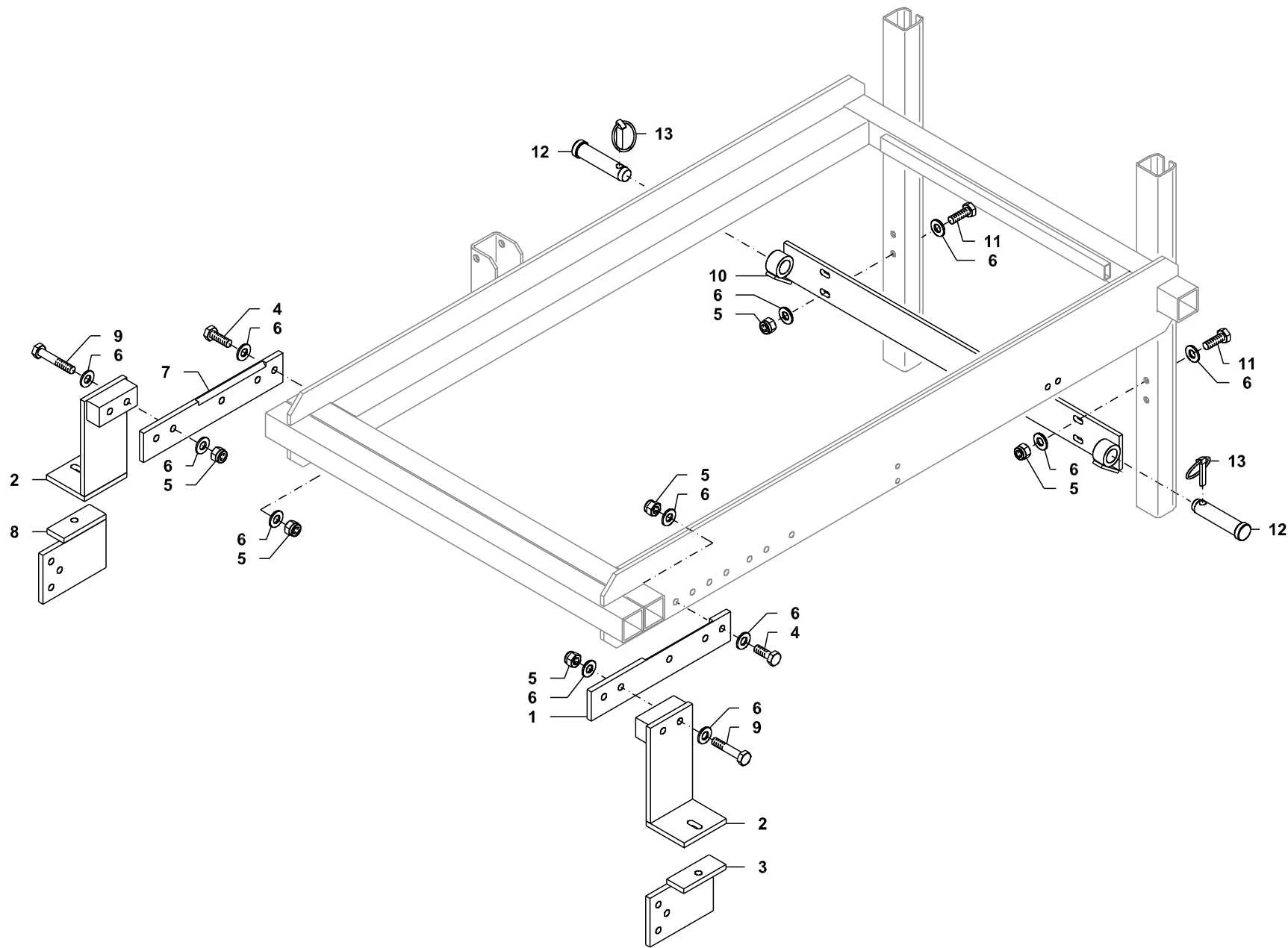
- 1 BG019314
- 2 GG563580000
- 3 GG919732044X
- 4 GG900310100Z
- 5 GG905300010
- 6 GG907010021Z



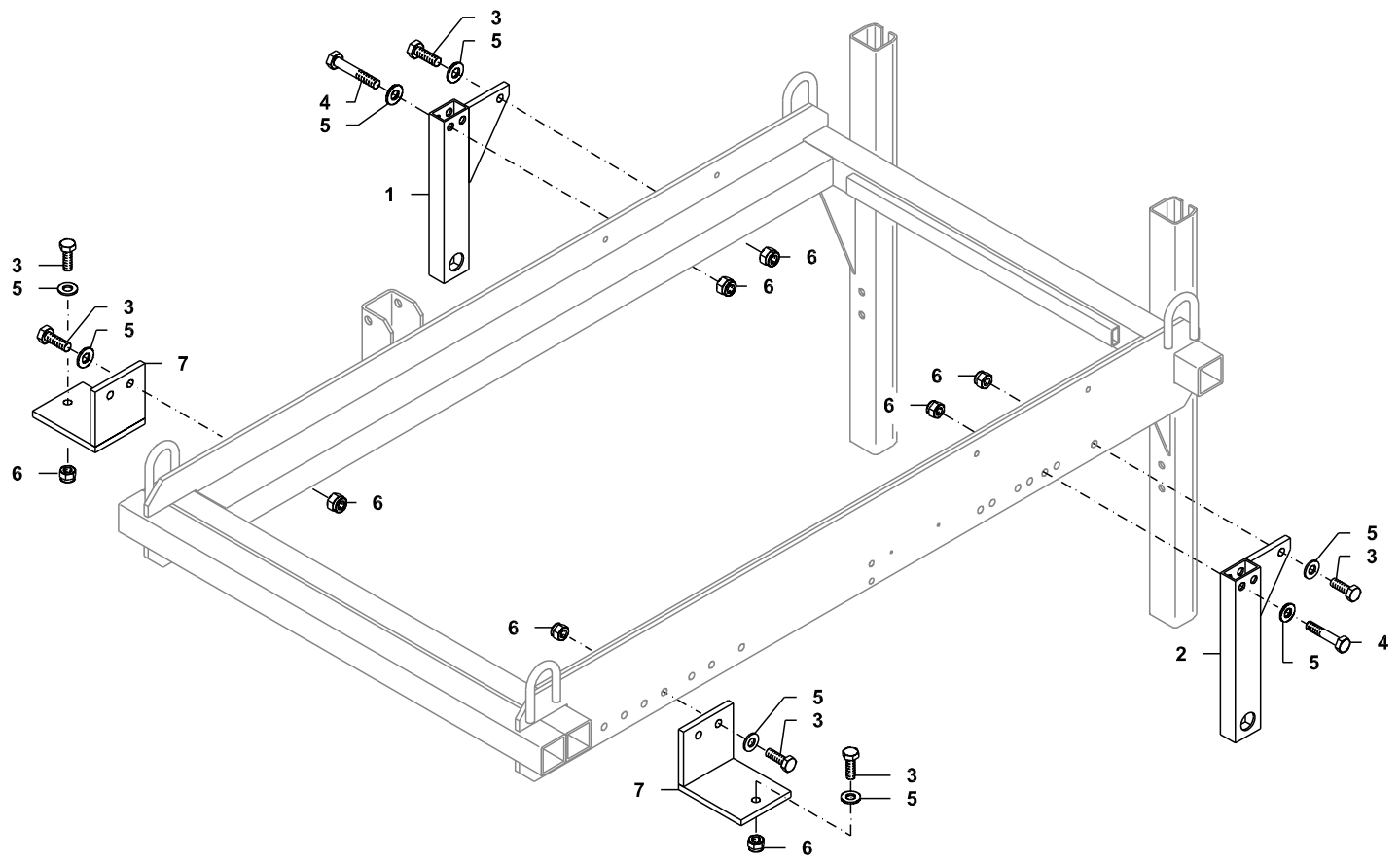
1	GGAR1204
2	BB30375000
3	GGAR5350
4	GG900312050Z
5	GG905400012
6	GG907012025Z
7	GG900110030Z
8	BB50223204
9	BB50243121
10	GG762341200
11	BB50223003
12	BB50243117
13	GG740000171



- 1 GG430400250V
- 2 GG900310040Z
- 3 GG907110030Z
- 4 GG905300010
- 5 GG430400251V
- 6 GG430400240V
- 7 GG900310045Z
- 8 GG430400260V
- 9 GG900110030Z

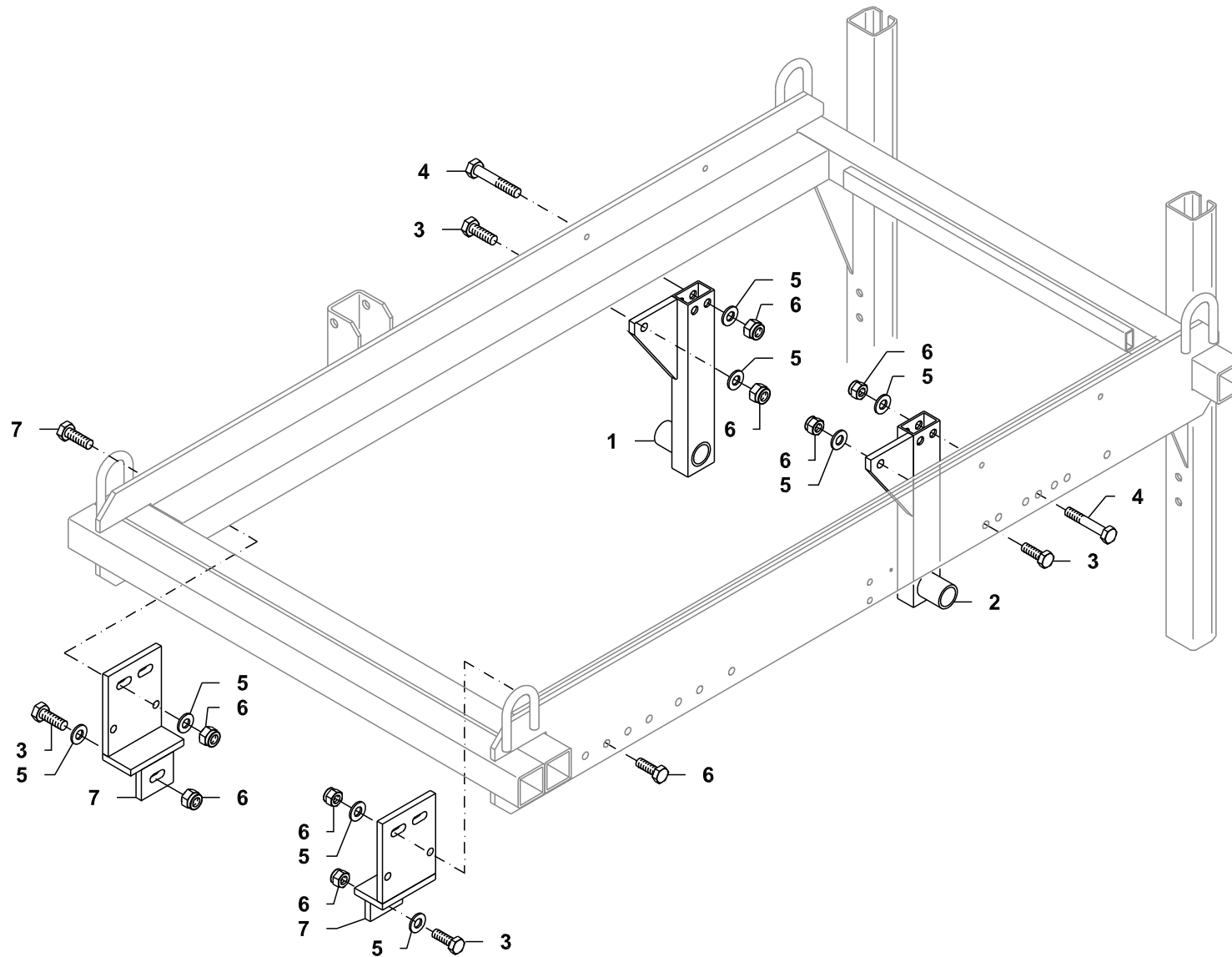


1	GG430400290V
2	GG430400292V
3	GG430400295V
4	GG900110035Z
5	GG905400010
6	GG907010021Z
7	GG430400291V
8	GG430400294V
9	GG900310070Z
10	GG430400288V
11	GG900110030Z
12	GG500100029Z
13	GG91980004Z



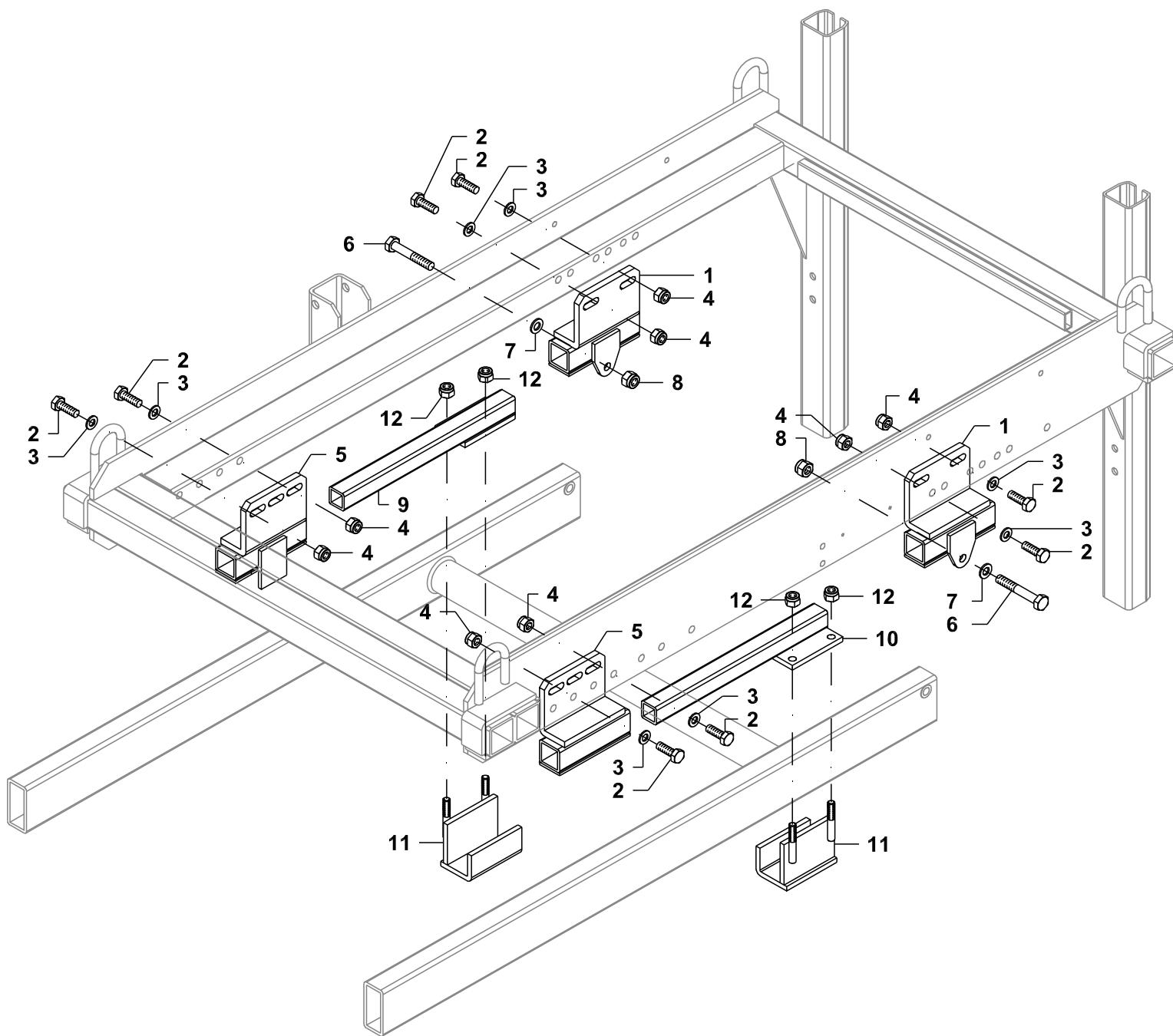
- 1 GG430400270V
- 2 GG430400271V
- 3 GG900110035Z
- 4 GG900310060Z
- 5 GG907010021Z
- 6 GG905300010
- 7 GG430400278V

- 1 GG430400272V
- 2 GG430400273V
- 3 GG900110035Z
- 4 GG900310060Z
- 5 GG907010021Z
- 6 GG905300010
- 7 GG430400276V

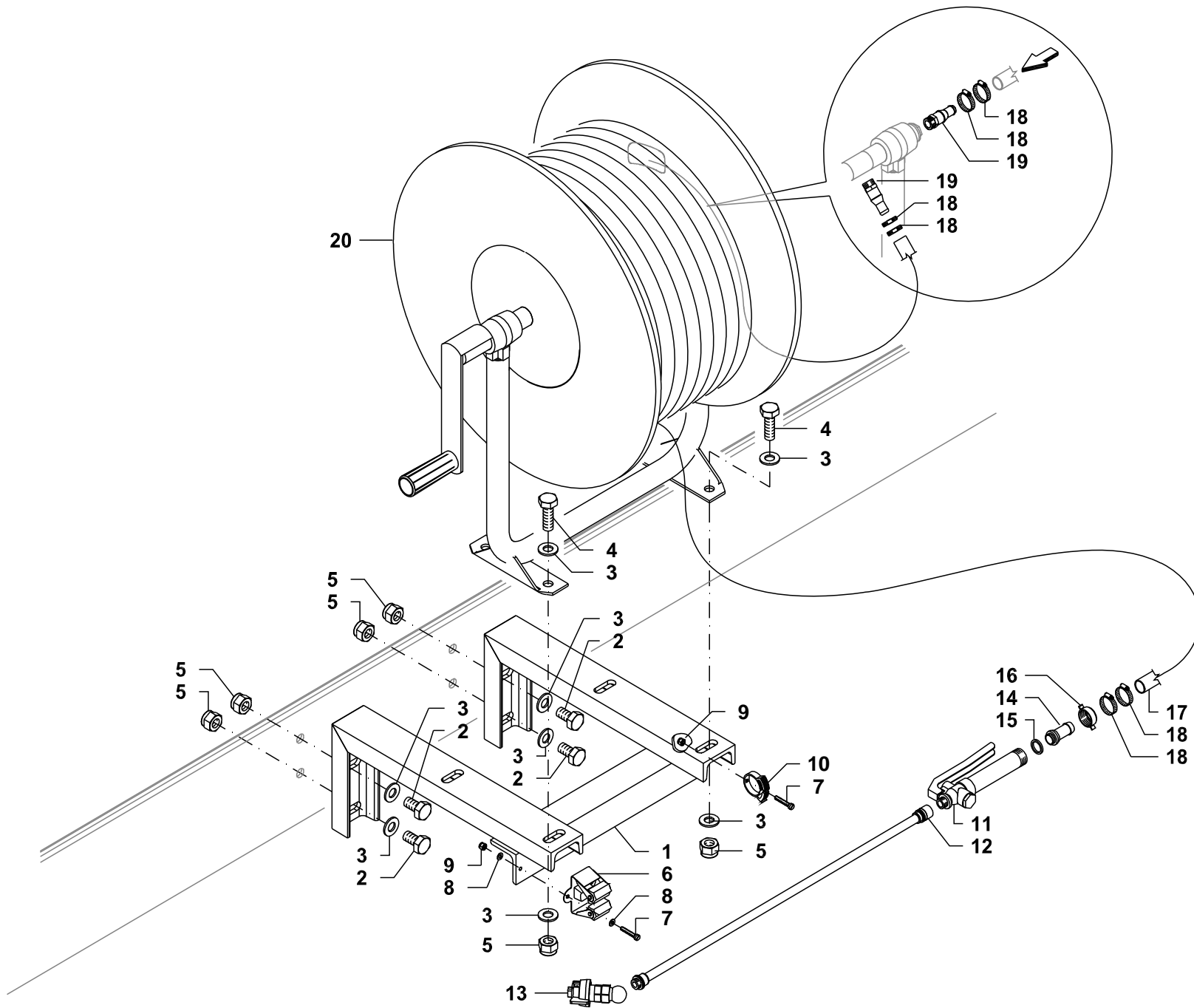


CUSHMAN

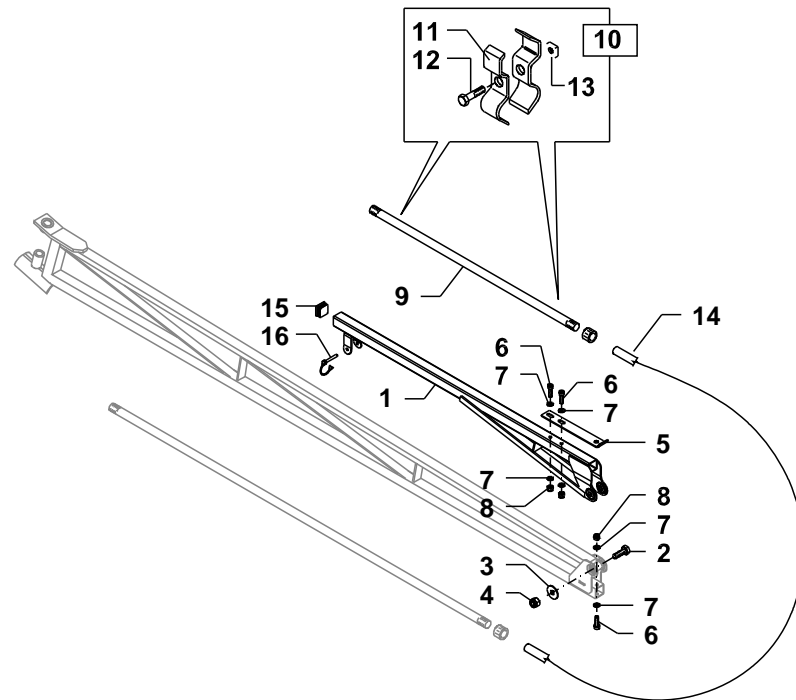
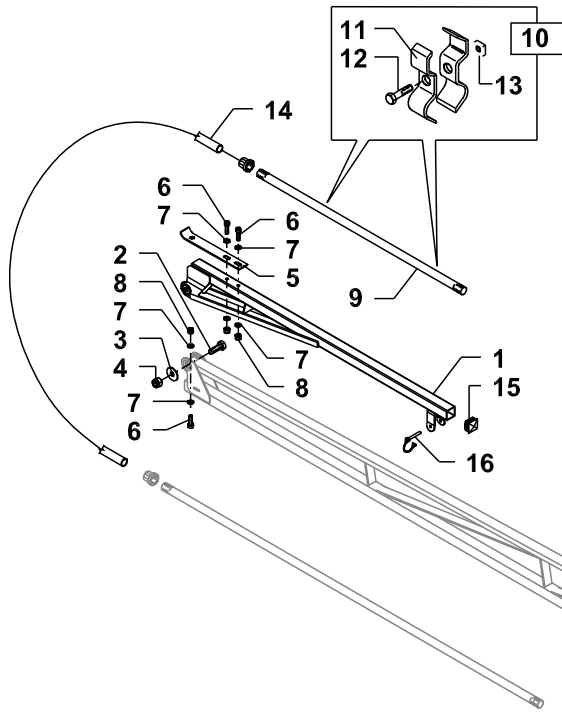
09 16 06 01 01



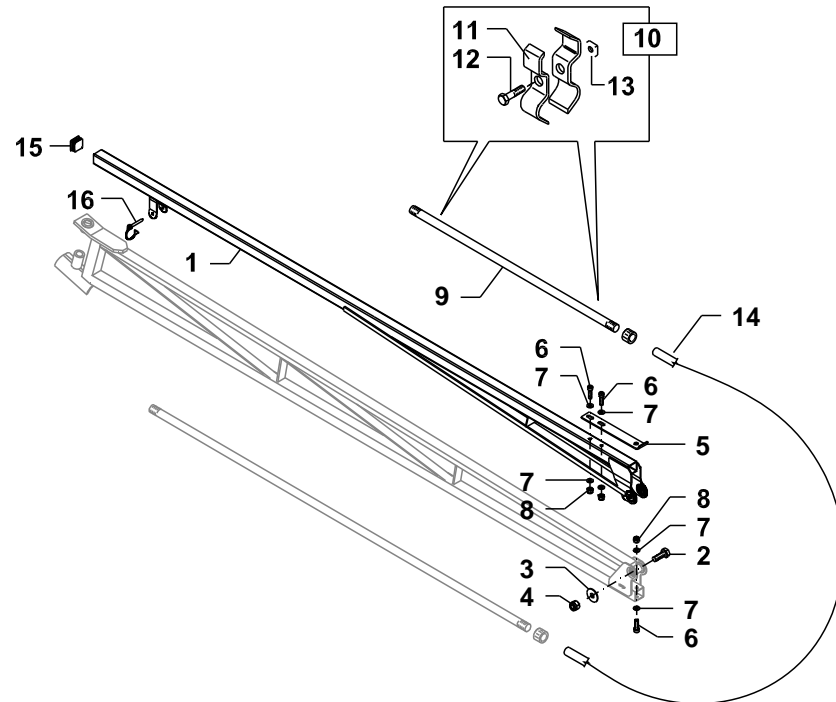
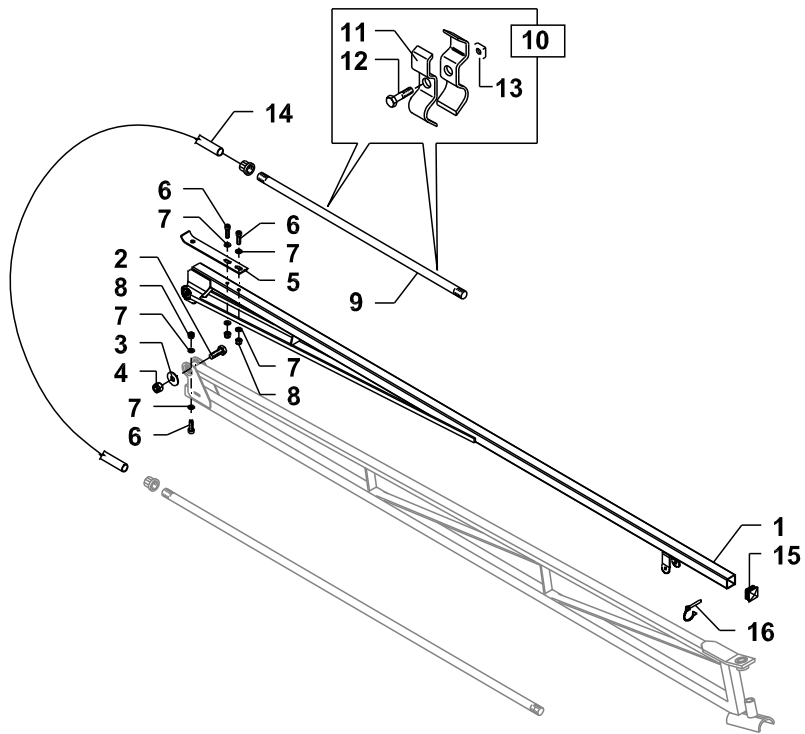
1	BG018906
2	GG900110035Z
3	GG907010021Z
4	GG905300010
5	BG018908
6	GG900112070Z
7	GG907012025Z
8	GG905400012
9	BG020115
10	BG020116
11	BG020117
12	GG905400010



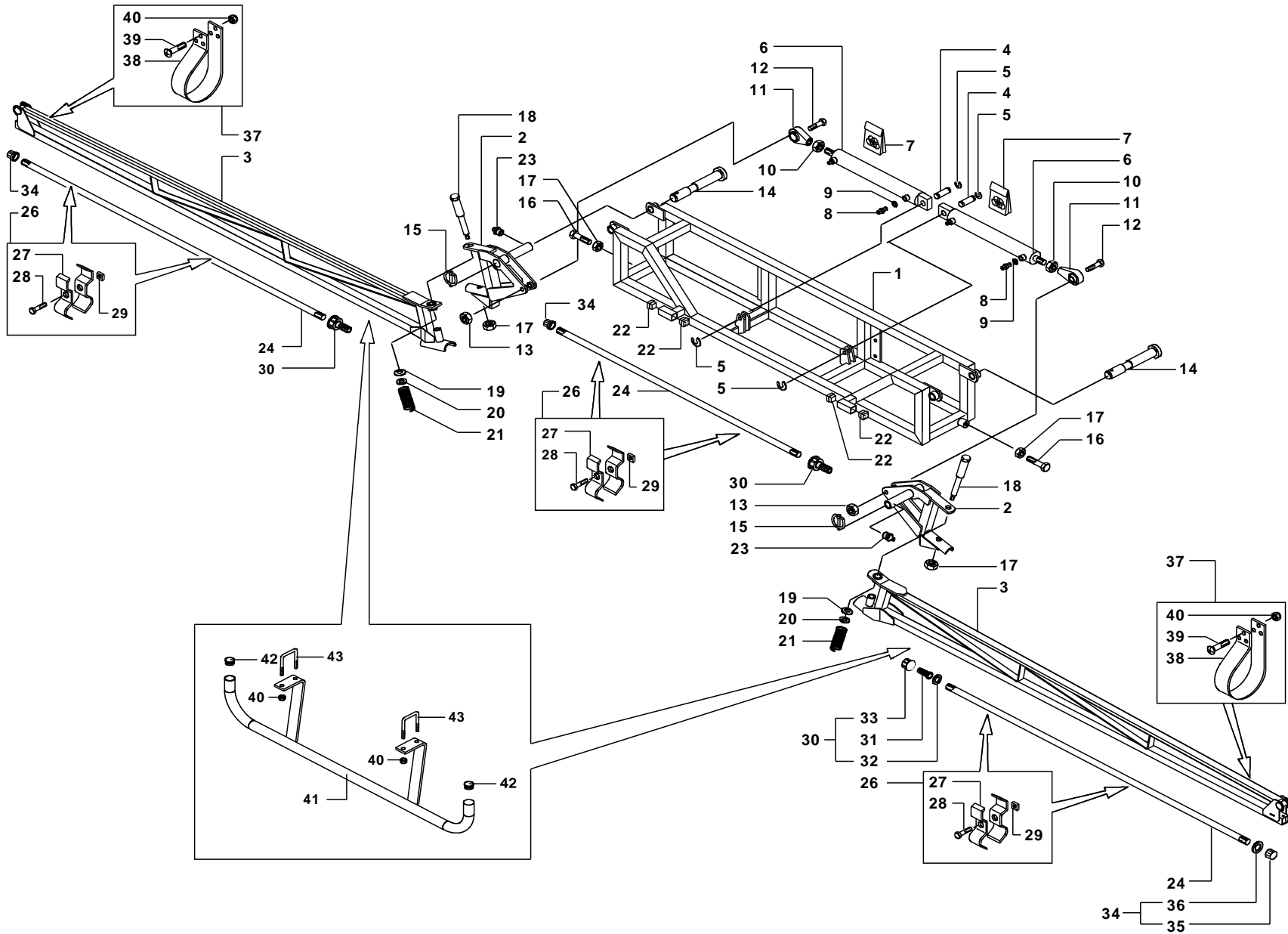
1	BG022622	
2	GG900108016Z	
3	GG907008017Z	
4	GG900108030Z	
5	GG905400008	
6	GG950200115	
7	GG904504020Z	
8	GG907104012X	
9	GG905400004	
10	GG919701002	
11	GGA00001500	
12	BG019358	
13	BG019357	
14	GG570100001Z	D=10
14	GG570100002Z	D=13
15	GG600100002	
16	GG570100010	
17	GG561000000	D=10
17	GG561300000	D=13
18	GG919706016X	D=10
18	GG919713020	D=13
19	BG006970	
20	BG006228	



- 1 GG150800010V
- 2 GG500500010Z
- 3 GG911225915
- 4 GG905400012
- 5 GG091200102V
- 6 GG900506045X
- 7 GG907106018X
- 8 GG905400006X
- 9 GG550201500
- 10 GG999900004Z
- 11 GG500600002Z
- 12 GG900508022Z
- 13 GG906000008Z
- 14 GG561399067
- 15 GG950130030
- 16 GG919800001Z

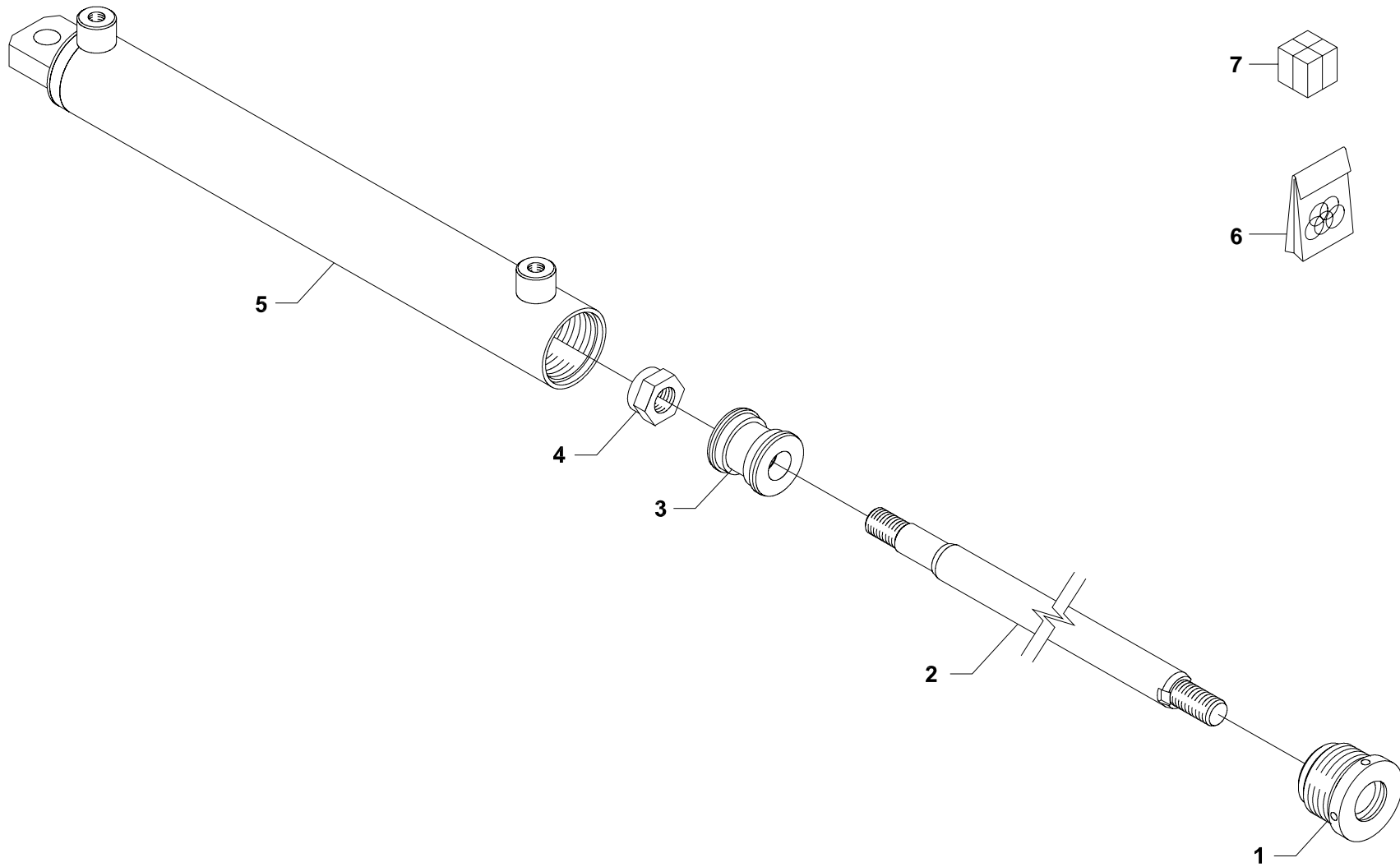


- 1 GG151000010V
- 2 GG500500010Z
- 3 GG911225915
- 4 GG905400012
- 5 GG091200102V
- 6 GG900506045X
- 7 GG907106018X
- 8 GG905400006X
- 9 GG550401500
- 10 GG999900004Z
- 11 GG500600002Z
- 12 GG900508022Z
- 13 GG906000008Z
- 14 GG561399067
- 15 GG950130030
- 16 GG919800001Z

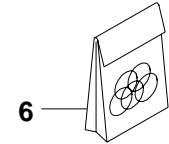
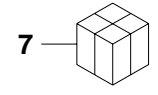


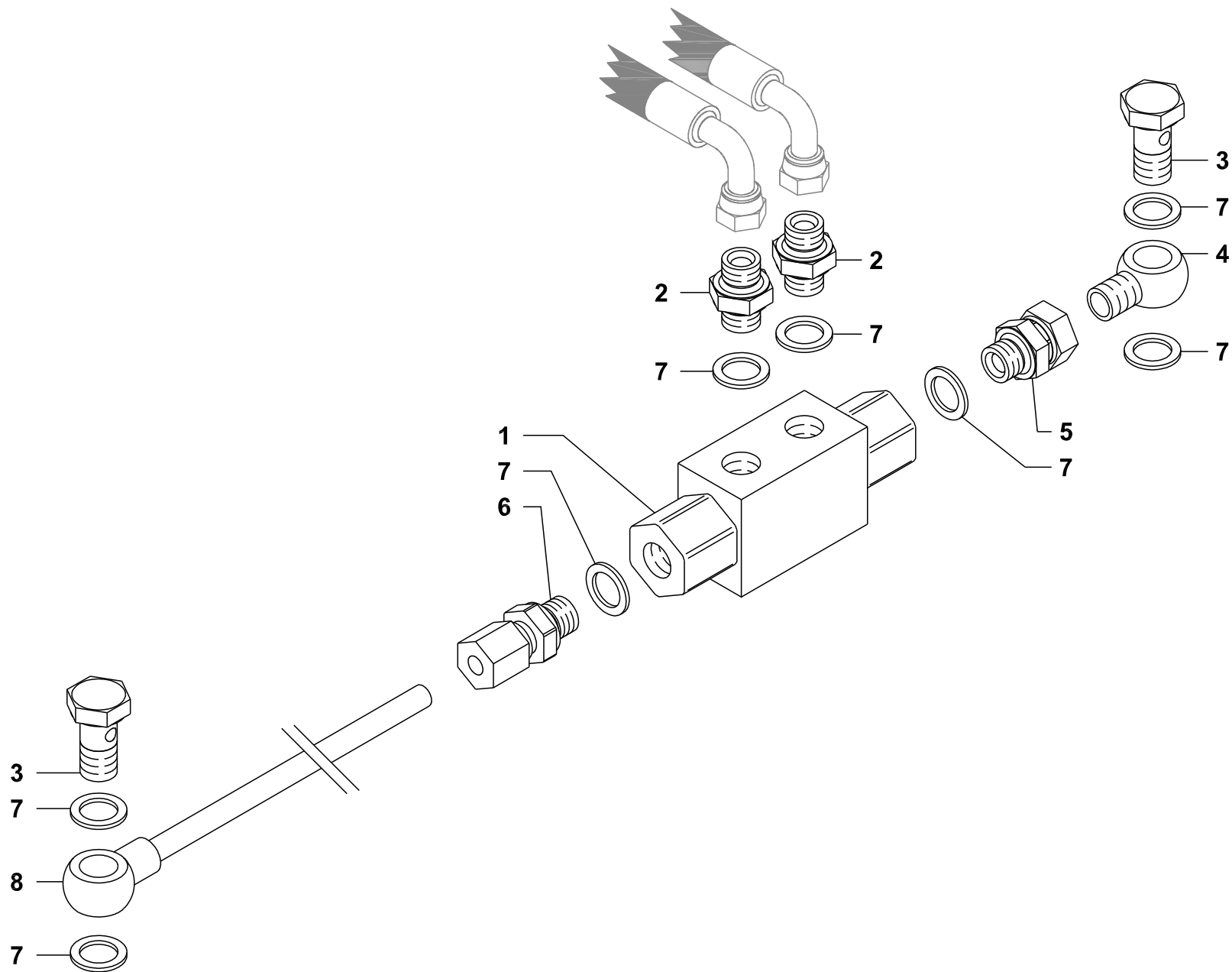
1	GG150600001V
2	GG150600015V
3	GG140600015V
4	GG500100010Z
5	GG919800021X
6	GG702240003V
7	GG996000208
8	GG570500008Z
9	GG600500001
10	GG905215016Z
11	GG920100033Z
12	GG900316080Z
13	GG905300016
14	GG500100052Z
15	GG919800006Z
16	GG900116050Z
17	GG905200016Z
18	GG500100067Z
19	GG911634920
20	GG500400001Z
21	GG919900023Z
22	GG950130030
23	GG919800020
24	GG550400500
26	GG999900004
27	GG500600002Z
28	GG900508020Z
29	GG906000008Z
30	GG9999000035
31	GGA00105213
32	GGA00G40012
33	GGA00200021
34	GG9999000008
35	GGA00210020
36	GGA00G10020
37	GG999900001Z
38	GG121400020Z
39	GG904906040Z
40	GG905300006
41	BG014387
42	GG950100020
43	GG5005000042

GEX 6 m

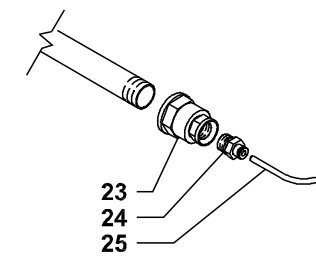
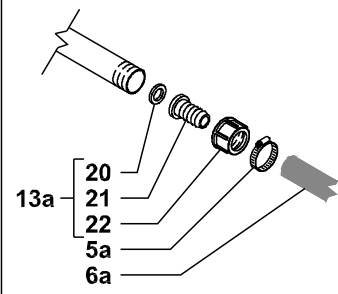
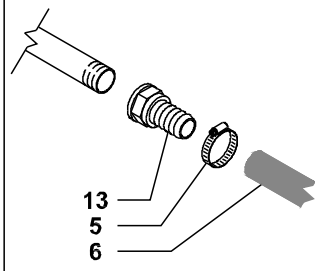
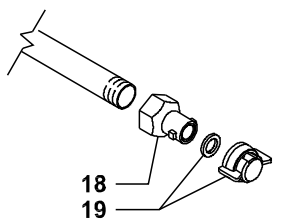
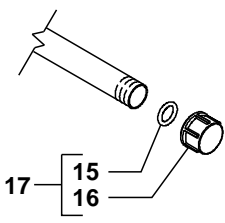
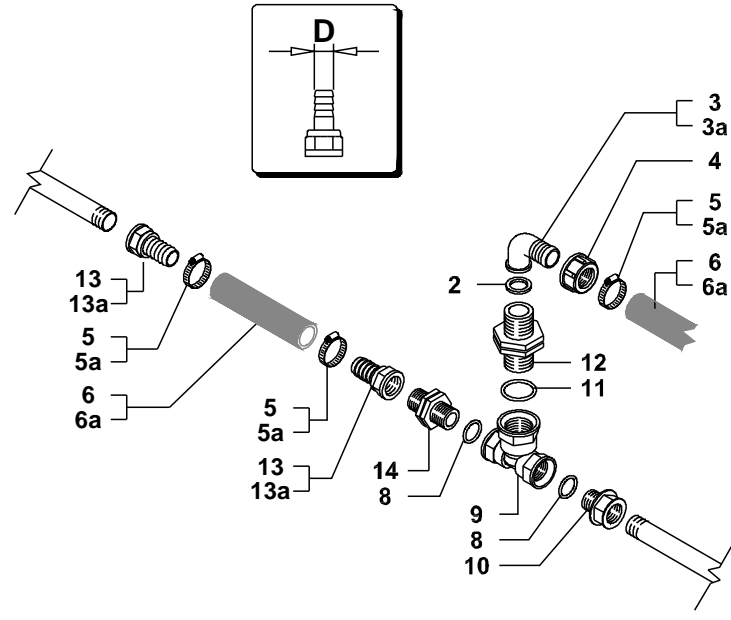
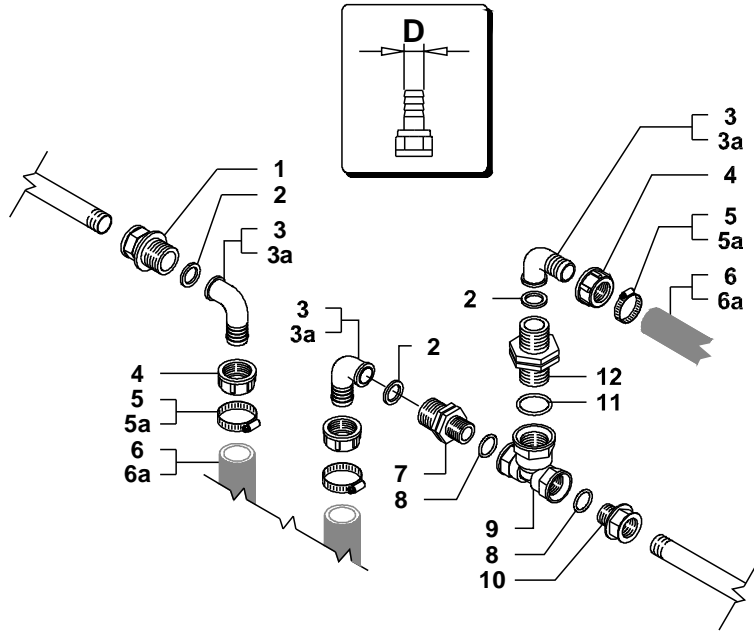


- 1 GG702240404
- 2 GG702200005
- 3 GG702540604
- 4 GG905415016
- 5 GG700040013
- 6 GG996000208
- 7 GG702240003V

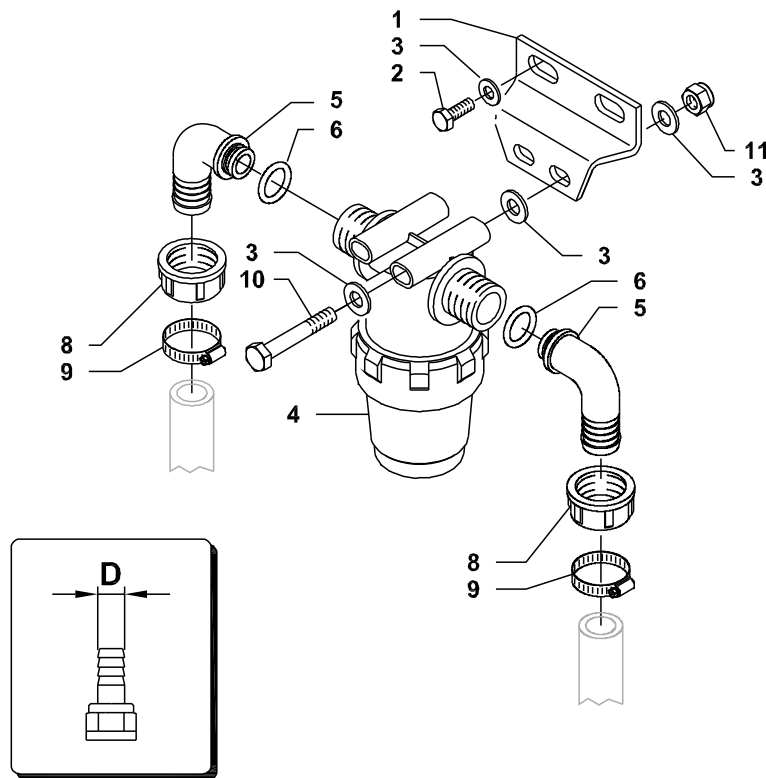
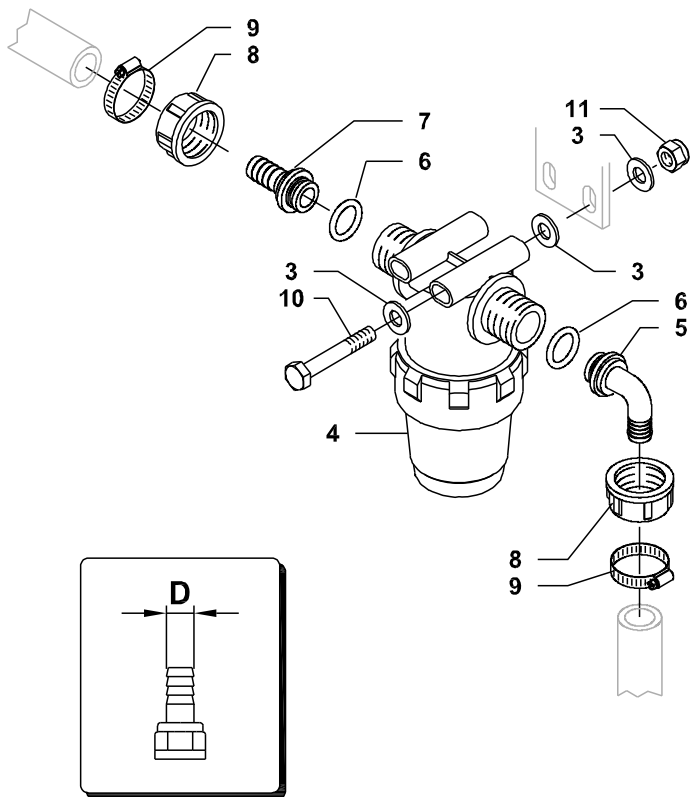




- 1 GG750300001
- 2 BB50223002
- 3 GG570100031Z
- 4 GG570100030Z
- 5 BB50227003
- 6 GG740000037
- 7 BB50243113
- 8 GG750300027Z



1	GGA002452032S	
2	GGA00G40013	
3	GGA00115320	D=19
3a	GGA00115313	D=13
4	GGA002002030	
5	GG919714027X	D=19
5a	GG919711020X	D=13
6	GG561900000	D=19
6a	GG561300000	D=13
7	GGA002402032	
8	GGA00G10041	
9	GGA001302032	
10	GGA002452022	
11	GGA4062000.060	
12	GGA002502030	
13	GGA00100219	D=19
13a	GG999900035	D=13
14	GGA002502020	
15	GGA00G10020	
16	GGA002102020	
17	GG999900008	
18	GGA00400277	
19	GGA00402909	
20	GGA00G40012	
21	GGA00105213	
22	GGA002002020	
23	GGA002352020	
24	GG820110007	
25	GG560284000	



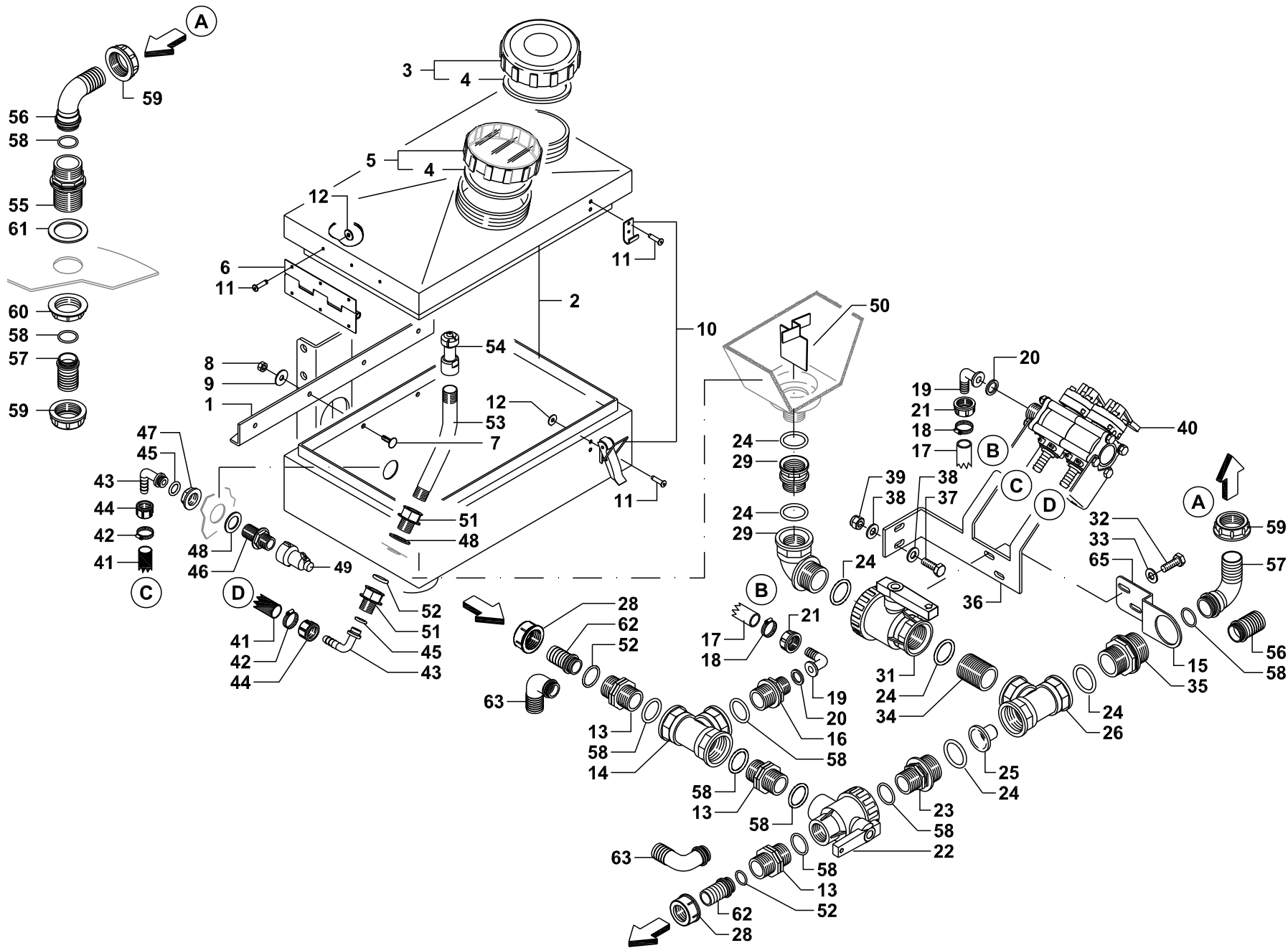
- 1 GG501100021V
- 2 GG900108020Z
- 3 GG907008017Z
- 4 GGA003222034
- 5 GGA00116313
- 5 GGA00116320
- 6 GGA00G10031
- 7 GGA00106313
- 8 GGA002002030
- 9 GG919711020X
- 9 GG919714027X
- 10 BG002728
- 11 GG905400008

D=13

D=19

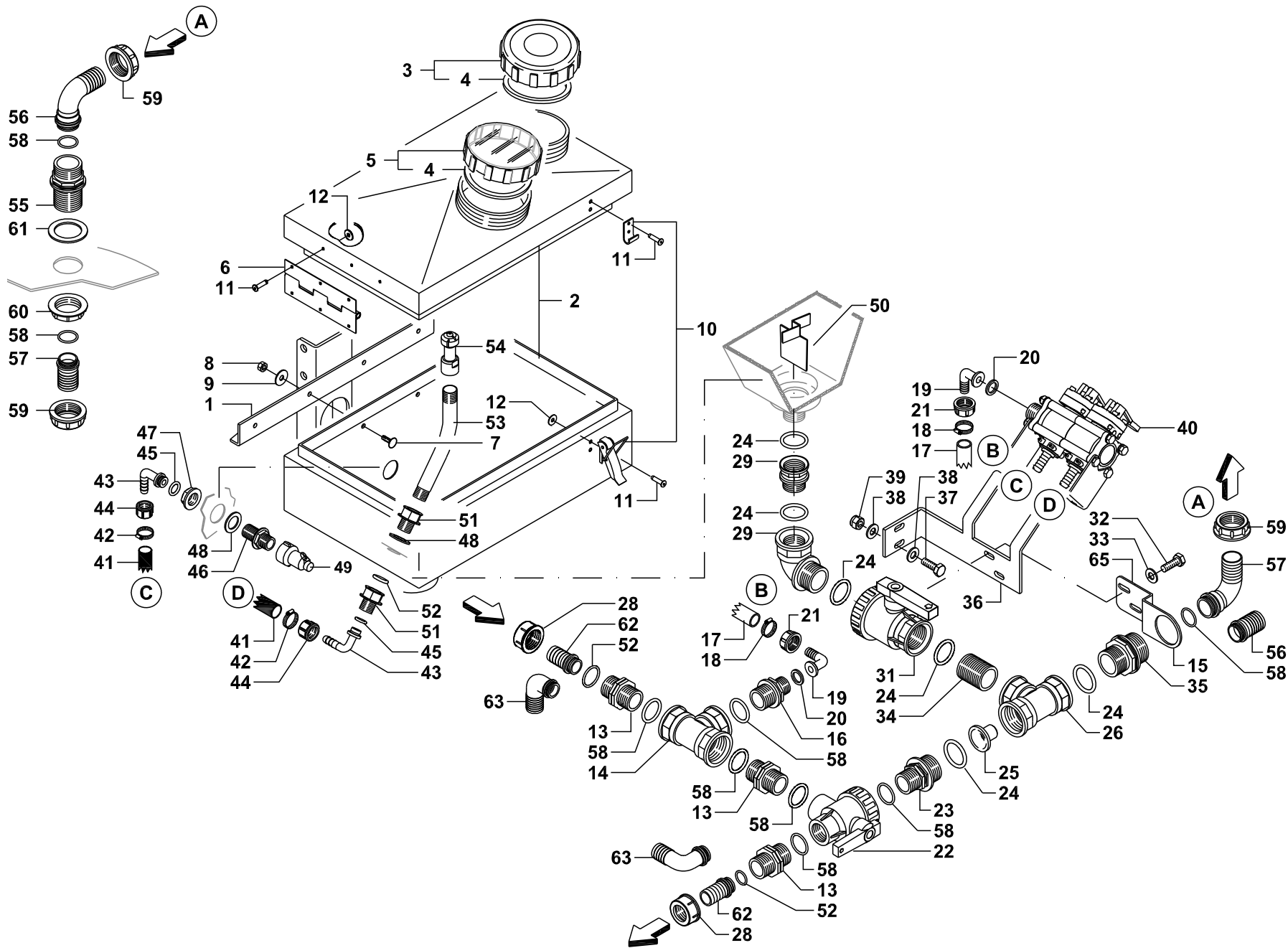
D=13

D=19



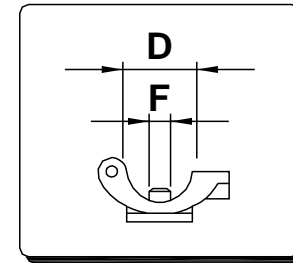
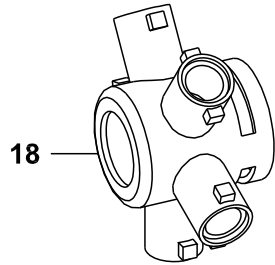
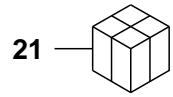
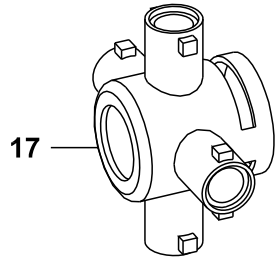
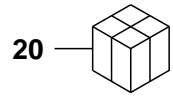
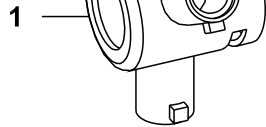
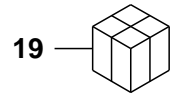
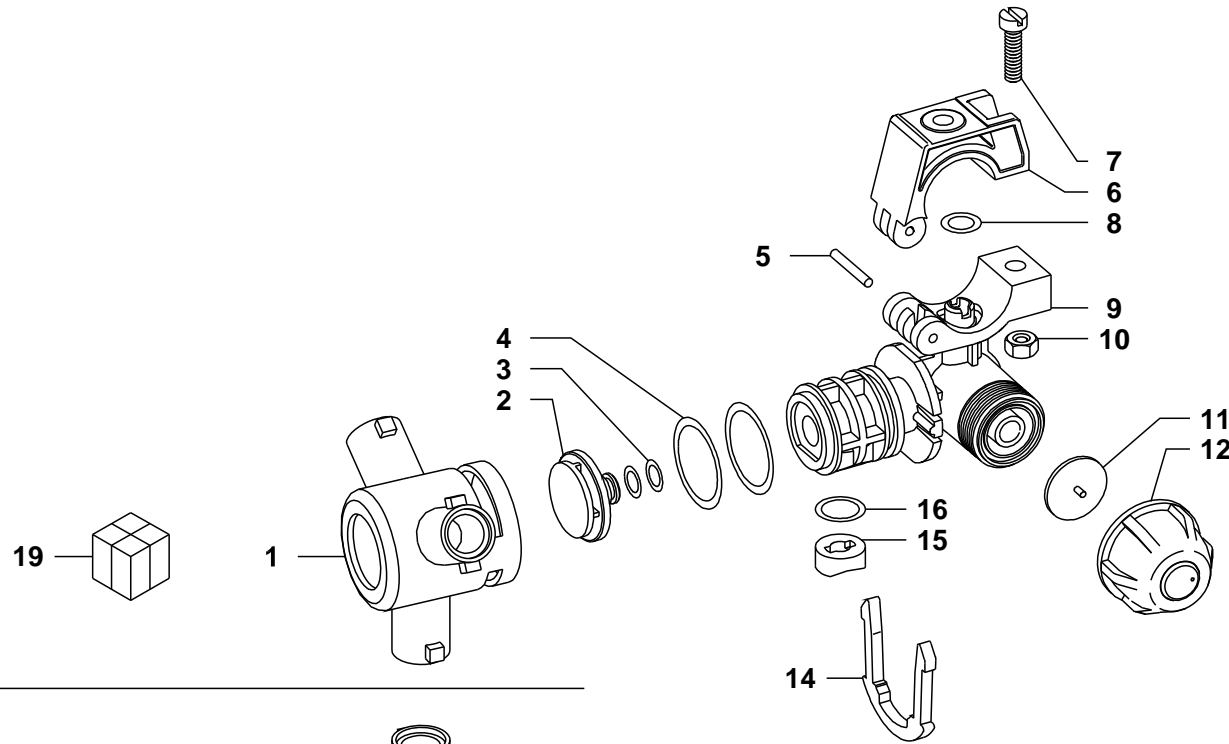
1	BG020271
2	GG612510020
3	BG013981 F3
4	GG680000039
5	BG013981 N3
6	BG030606
7	GG904706020X
8	GG905400006X
9	GG907106018X
10	GG680001024
11	GG680001125
12	GG907104012X
13	GGA002502040
14	GGA001302040
15	BG026851
16	GGA002402043
17	GG561301000
18	BG019224
19	GGA00115313
20	GGA00G40013
21	GGA002002030
22	GGA004542234H
23	GGA002402054
24	GG600206162
25	GG680001052
26	GGA001302050
27	BG024245
28	GGA002002040
29	GGA001262055
30	GGA462300.550
31	GGA004542135
32	GG900108016Z
33	GG907008017Z
34	GGA00230551
35	GGA002402065
36	BG019301
37	GG900108025Z
38	GG907108024Z
39	GG905400008
40	BG020838
41	GG561001000
42	BG019266
43	GGA00116210
44	GGA002002020
45	BG019117
46	GGA00250201S
47	GGA002052020
48	GGA00G40002
49	GG680001020
50	GG680001026

MIXER 20 L



51	GGA002452022
52	GGA00G10041
53	GG550110012
54	BG027231
55	GGA002502061S
56	GGA00116635
57	GGA00106635
58	GGA00G10061
59	GGA002002060
60	GGA002052060
61	GGA00G40006
62	GGA00106425
63	GGA00116425

MIXER 20 L

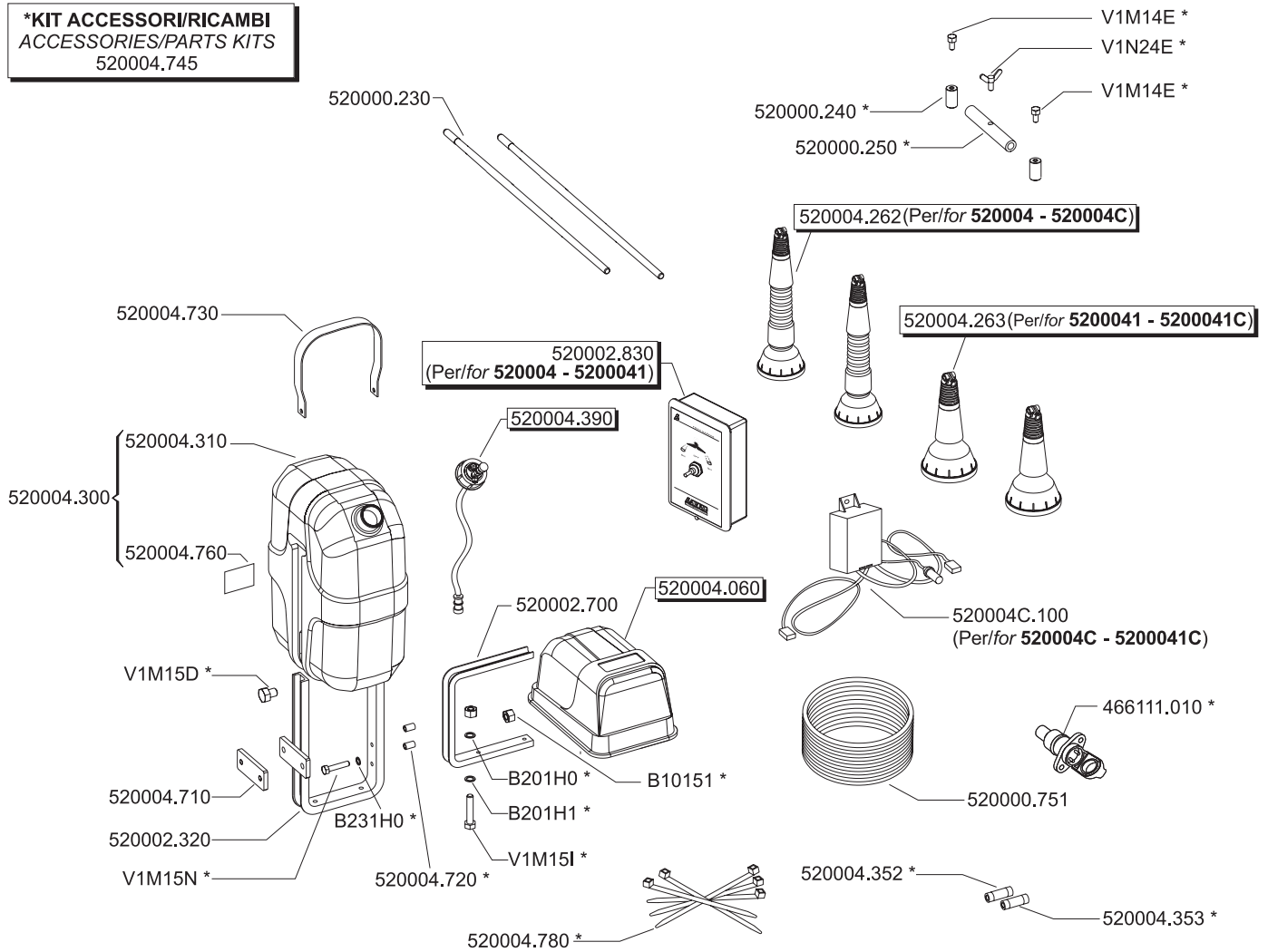


1	BG001580	
2	A- 4064000.030	
3	GGA4065910.070V	
4	GGA4062000.050	
5	GGA400530.040	
6	BG007632	D=1/2"
6	A- 40055A7.020	D=25mm
7	GG904906020X	
8	GGA400040.030	
9	BG007631	D=1/2" F=10
9	A- 4064055.010	D=25mm F=7
10	GG905100006X	
11	GGA005860.036	
12	BG022164	
14	BG001574	
15	BG001621	
16	GGA00G10021	
17	BG001579	
18	A- 4064900.020	
19	GGA004064237	D=1/2" F=7
19	GGA004064247	D=1/2" F=10
19	GGA00406425A7	D=25mm F=10
20	GGA004064747	D=1/2" F=10
20	GGA0040647A7	D=25mm F=10
21	GGA004064947	D=1/2" F=10

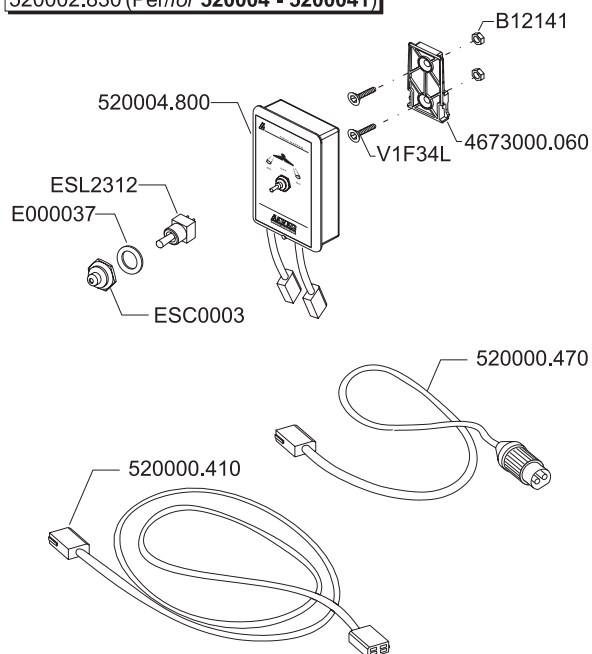
TRACCIAFILE - FOAM MARKER
TRACEUR A MOUSSE - MARCADOR DE ESPUMA
SCHAUMMARKIERER - MARCADOR DE ESPUMA

SERIES

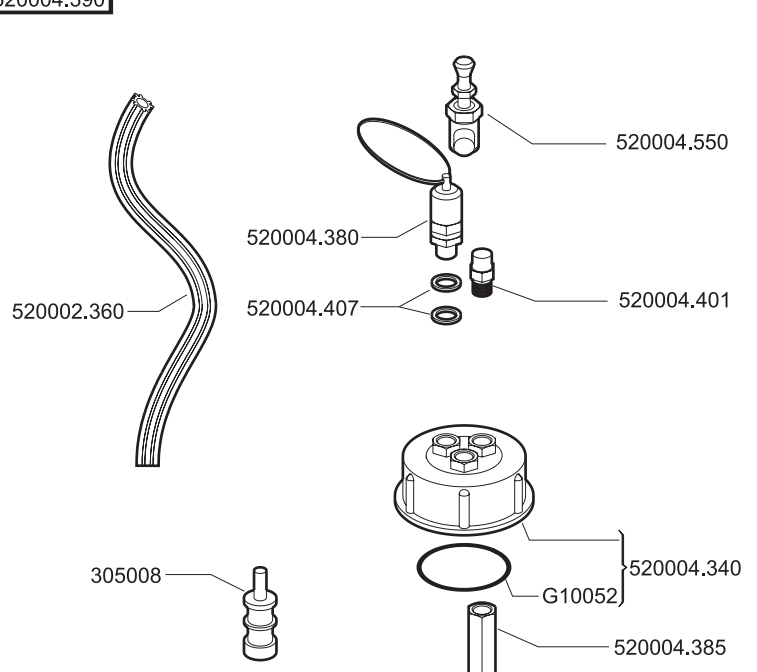
***KIT ACCESSORI/RICAMBI**
ACCESSORIES/PARTS KITS
520004.745



520002.830 (Per/for 520004 - 5200041)

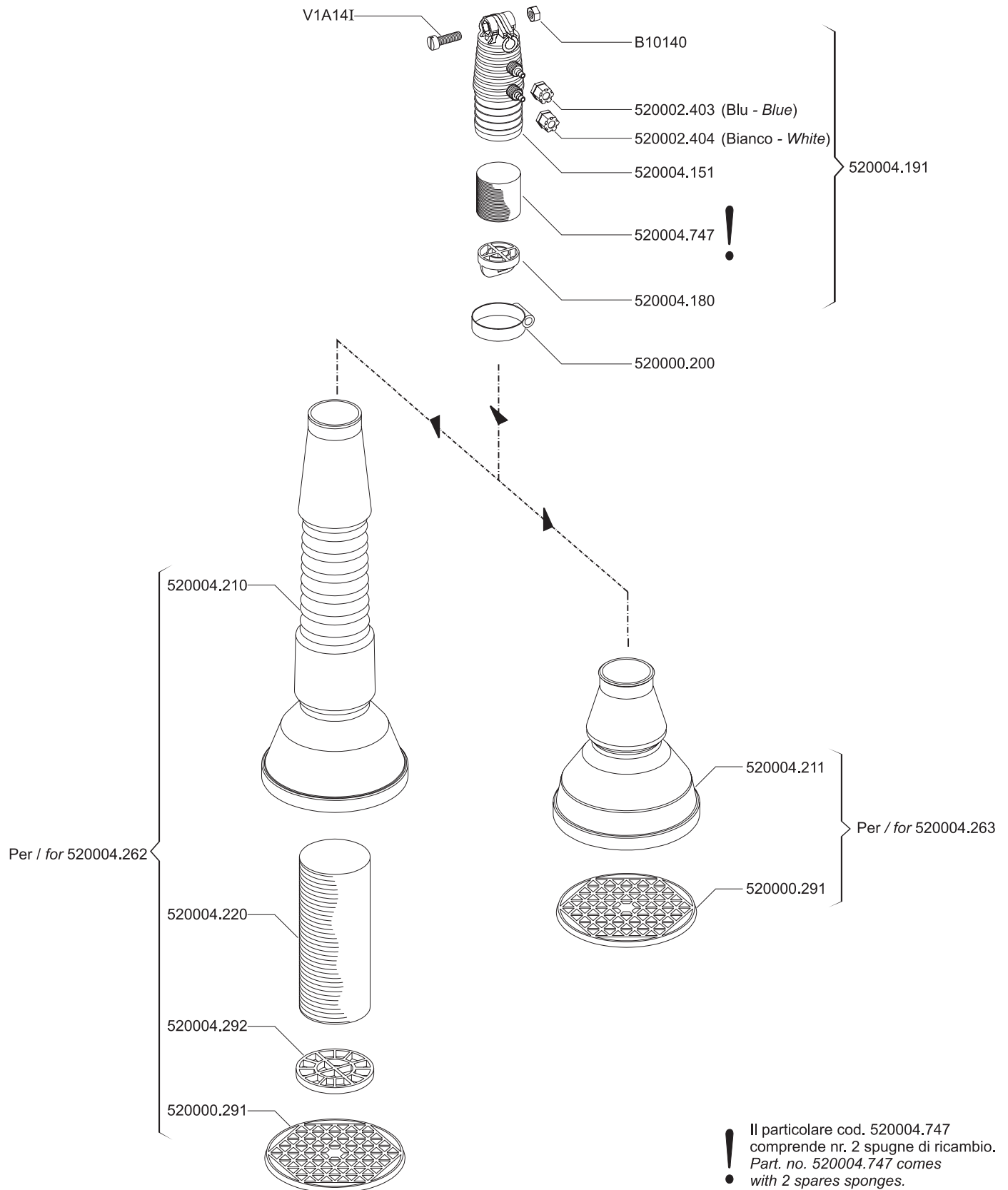


520004.390



TRACCIAFILE - FOAM MARKER
TRACEUR A MOUSSE - MARCADOR DE ESPUMA
SCHAUMMARKIERER - MARCADOR DE ESPUMA

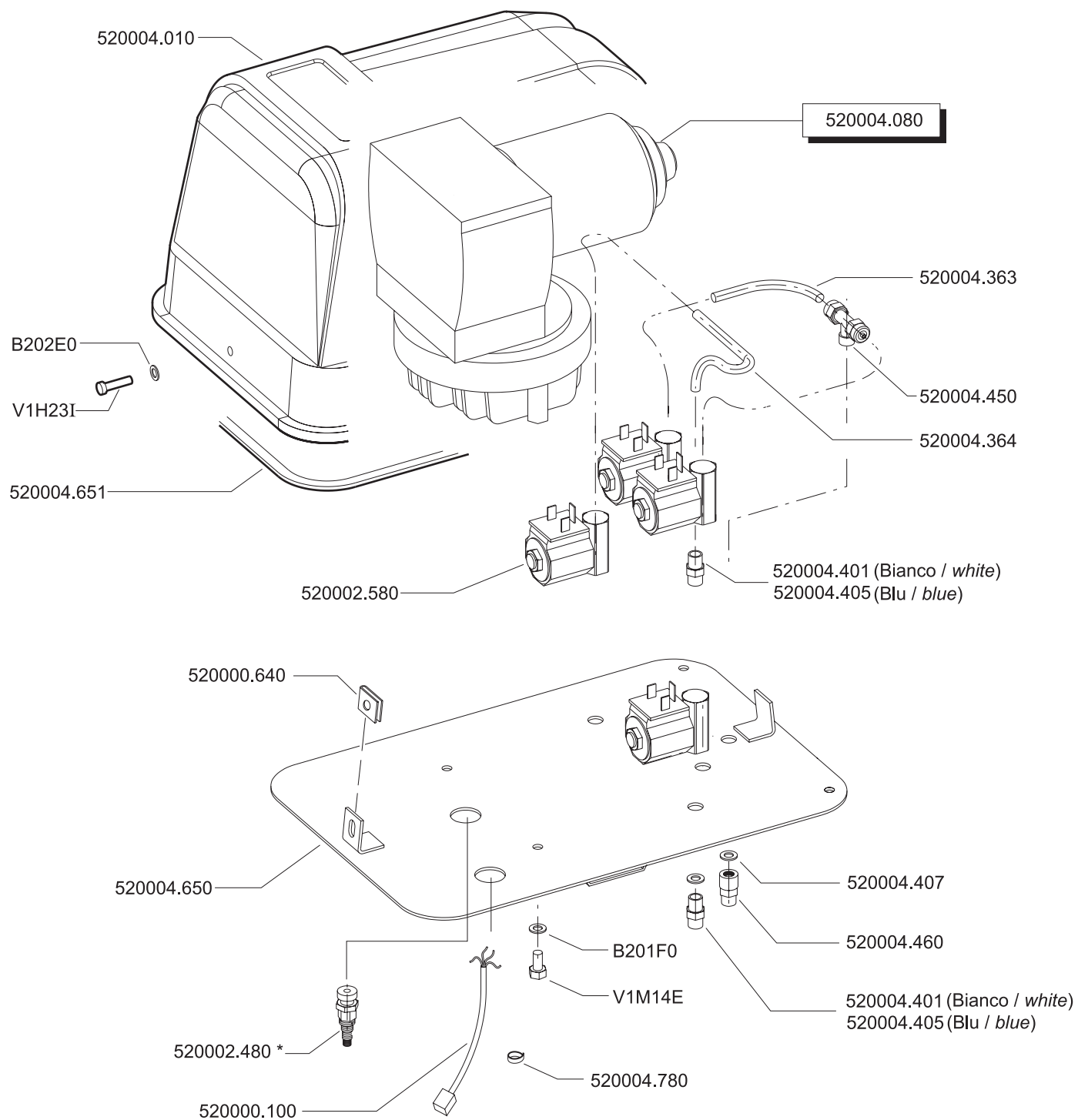
SERIES



TRACCIAFILE - FOAM MARKER
TRACEUR A MOUSSE - MARCADOR DE ESPUMA
SCHAUMMARKIERER - MARCADOR DE ESPUMA

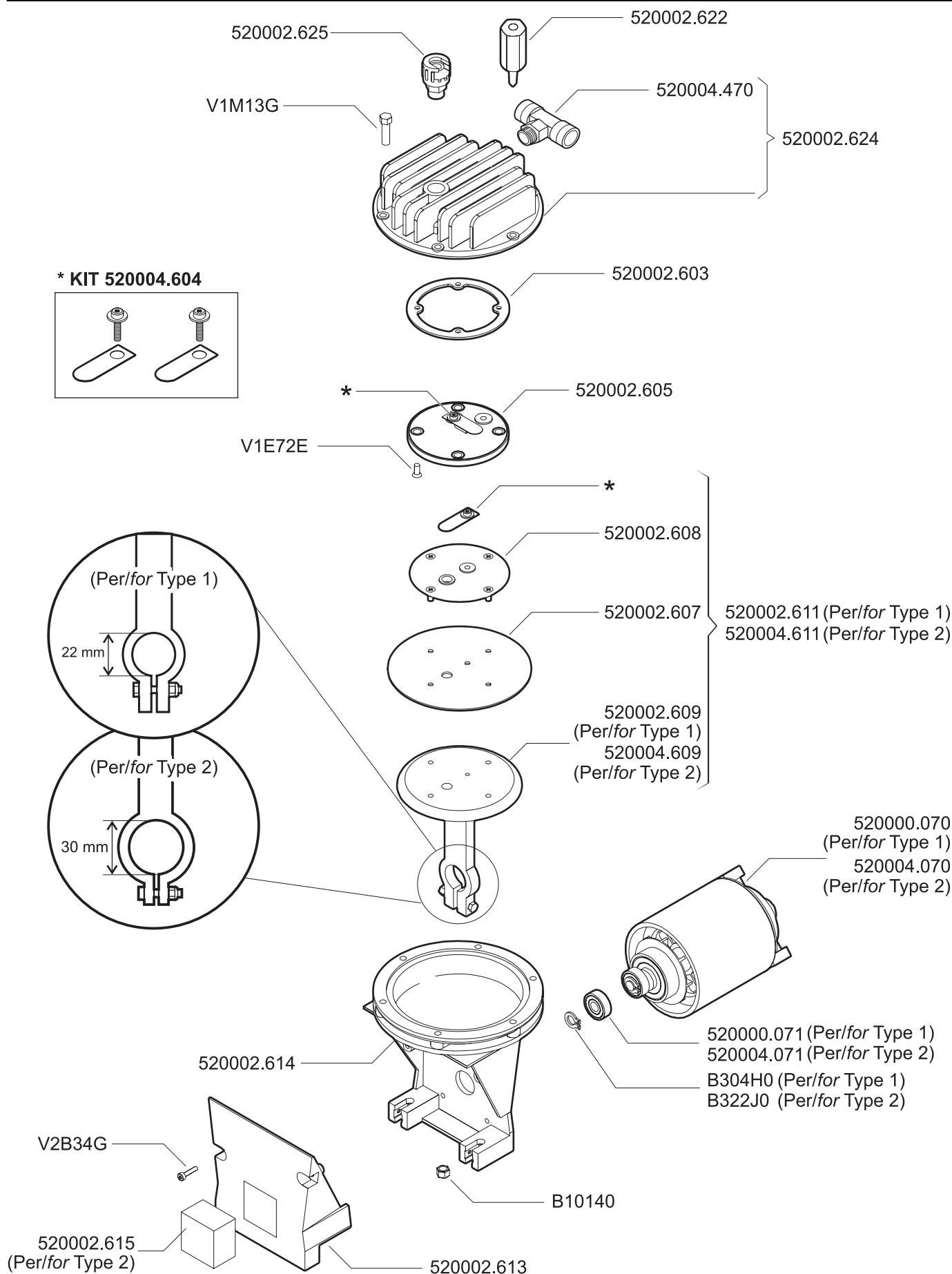
SERIES

***KIT ACCESSORI/RICAMBI**
ACCESSORIES/PARTS KITS
 520004.745

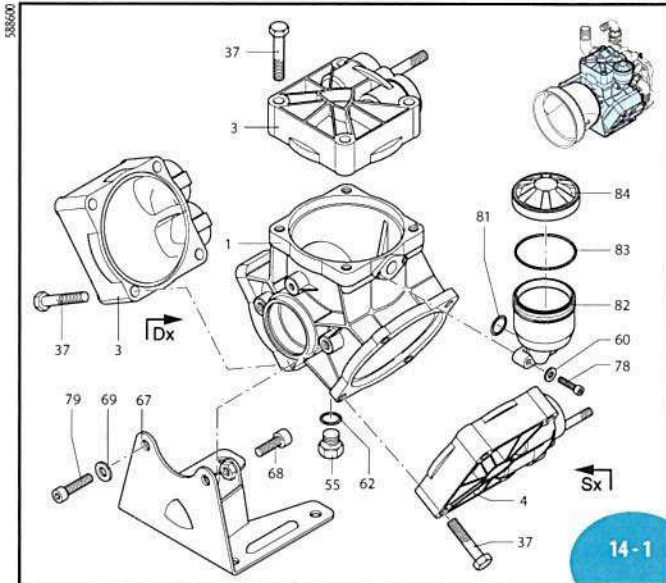


TRACCIAFILE - FOAM MARKER
TRACEUR A MOUSSE - MARCADOR DE ESPUMA
SCHAUMMARKIERER - MARCADOR DE ESPUMA

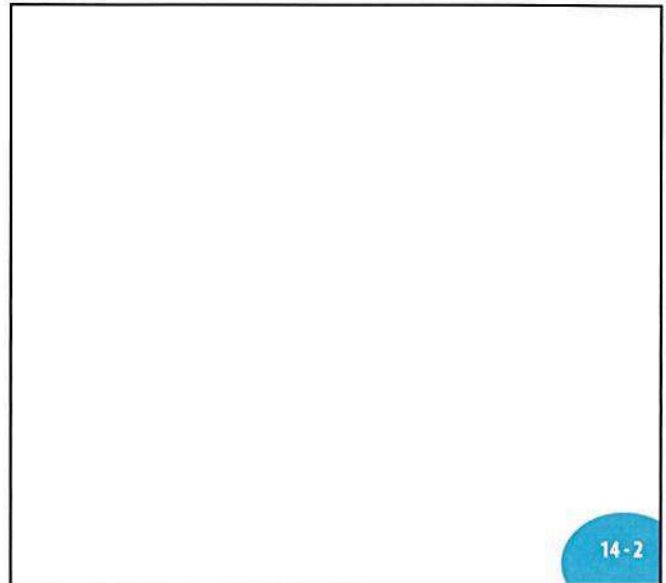
SERIES



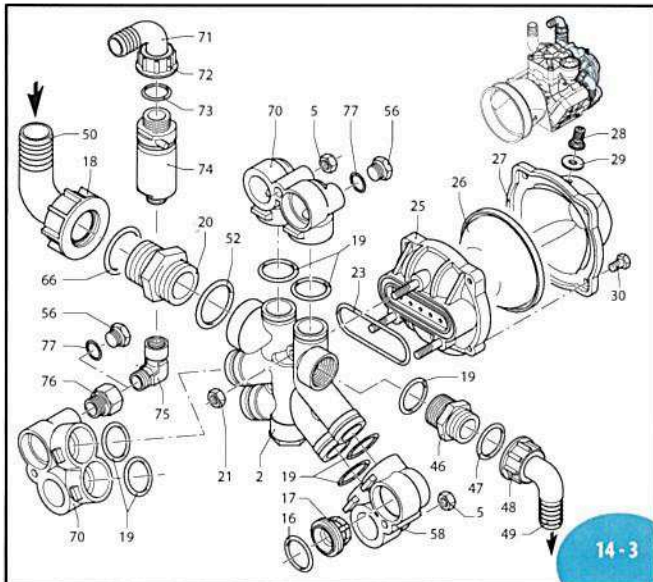
AR 115 bp - AR 135 bp - AR 115 bp/1000 giri-rpm



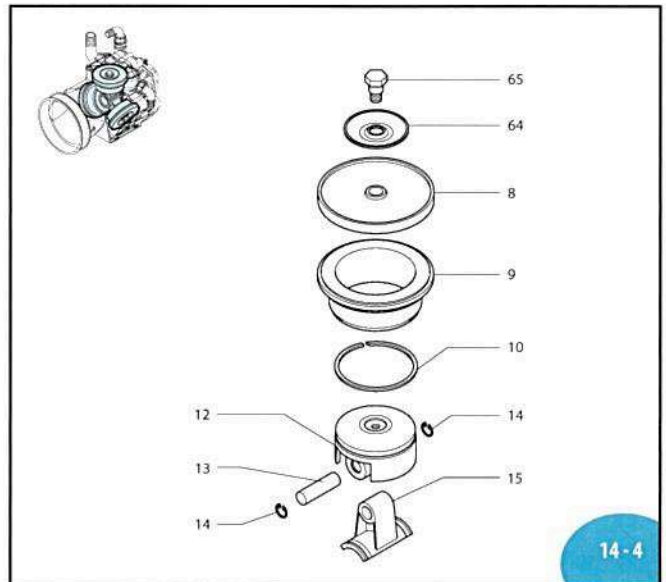
SL000061-EZ



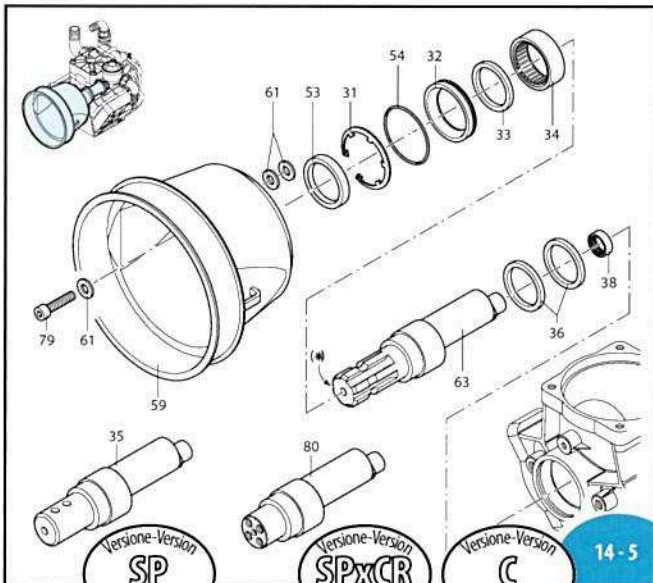
UN990004-IB



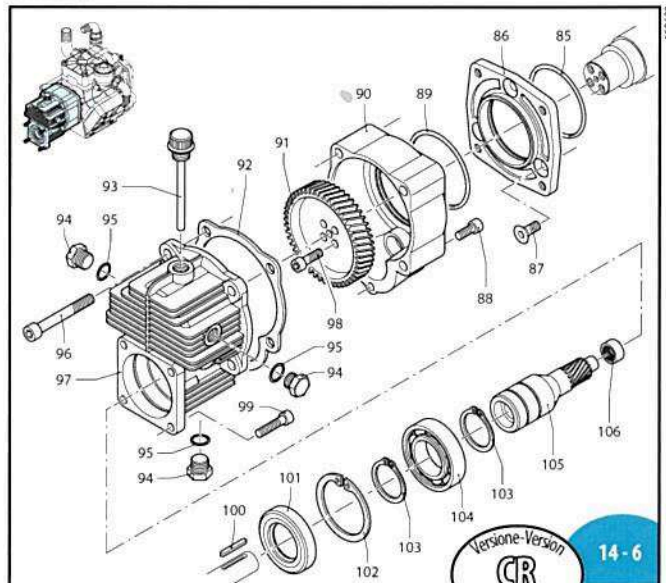
UN990002-IB



UN990017-IC



UN990017-IC



UN990017-IC

AR 115 bp - AR 135 bp - AR 115 bp/1000 giri-rpm

Pos.	Cod.	Descrizione	Description	Q.ty	Note
1	580013	Corpo pompa	Pump body	1	
2	580150	Condotto mand. - asp.	Manifold line	1	
3	550101	Testa valvola DX	Right head	2	
4	550102	Testa valvola SX	Left head	1	
5	180152	Dado M 10	Nut	3	Geomet C ₂₀
6	550080	Membrana	Diaphragm	3	Gomma
7	550084	Membrana	Diaphragm	3	Viton
8	550085	Membrana	Diaphragm	3	Desmopan
9	550086	Membrana	Diaphragm	3	H.P.D.S.
10	580110	Camicia	Sleeve	3	AR 115 bp
11	580350	Camicia	Sleeve	3	AR 135 bp
12	500260	Segmento	Piston ring	3	
13	580120	Pistone	Piston	3	
14	380300	Spinotto	Pin	3	☒
15	380080	Anellino spinotto	Pin ring	6	
16	580140	Biella	Connecting rod	3	
17	320030	OR ø 31,5x4,5	O-Ring	6	90 Sh ☒
18	759051	Valvola completa	Complete valve	6	
19	540541	Girello 1" 3/4 G spec.	Ring nut	1	
20	390291	OR ø 28,25x2,62	O-Ring	7	☒
21	540530	Niples 1"1/4-1"3/4 G (M)	Threaded adapter	1	
22	390271	Dado M 8	Nut	3	Geomet C ₂₀
23	580050	Guarnizione	Gasket	1	☒
24	580180	Semisfera inferiore	Lower air chamber	1	
25	550190	Semicamera aria	Semi air chamber	1	Gomma
26	550191	Semicamera aria	Semi air chamber	1	Saturflon
27	550192	Semicamera aria	Semi air chamber	1	Viton
28	550193	Semicamera aria	Semi air chamber	1	H.P.D.S.
29	550233	Semisfera superiore	Upper air chamber	1	Nera / Black
30	550300	Valvola di gonfiaggio	Air-valve	1	C ₃
31	650542	Guarnizione	Gasket	1	
32	550680	Vite TE M 8x20	Bolt	4	C ₂₀
33	200391	Anello seeger	Circlip	1	
34	550470	Bussola anello tenuta	Gasket retainer	1	
35	550070	Rondella tenuta	Spacer ring	1	
36	550060	Boccola a rullini	Roller bushing	1	↓
37	550170	Albero eccentrico "SP"	"SP" shaft	1	AR 115 bp (AL)
38	580380	Albero eccentrico "SP"	"SP" shaft	1	AR 135 bp (AT)
39	580470	Anello biella	Con rod ring	2	☒
40	551040	Vite TE M 10x55	Bolt	12	Geomet C ₄₀
41	550310	Boccola a rullini	Roller bushing	1	↓
42	550340	Niples 1" G(M)-1" G(M)	Threaded adapter	1	
43	550350	OR ø 23,81x2,62	O-Ring	1	☒
44	550242	Girello 1" G	Ring nut	1	
45	550370	Curva ø 25	Elbow	1	
46	540550	Curva ø 40	Elbow	1	
47	250310	OR ø 36,14x2,62	O-Ring	1	☒
48	550491	Anello tenuta	Seal ring	1	☒
49	650920	OR ø 53,65x2,62	O-Ring	1	☒
50	880530	Tappo 3/8" G	Plug	1	C ₂₀
51	330173	Tappo 1/2" G	Plug	2	Geomet C ₂₀
52	580072	Attacco asp. mand. SX	Left manifold coupling	1	

Pos.	Cod.	Descrizione	Description	Q.ty	Note
53	1500350	Protezione cardano	Cardan protection	1	
54	550332	Rosetta øi 6,5	Washer	2	Geomet
55	320621	Rosetta øi 10,5	Washer	5	Geomet
56	740290	OR ø 14x1,78	O-Ring	1	▶
57	550173	Albero eccentrico "C"	"C" shaft	1	AR 115 bp (AM)
58	580330	Albero eccentrico "C"	"C" shaft	1	AR 135 bp (AS)
59	580370	Piattello	Plate	3	
60	580360	Perno membrana	Diaphragm pin	3	● C ₂₀
61	250310	OR ø 36,14x2,62	O-Ring	1	☒
62	580080	Piede corpo pompa	Base	1	
63	540301	Vite TCEI M 10x30	Bolt	1	Geomet C ₄₀
64	200233	Rosetta øi 10,5	Washer	2	Geomet
65	580400	Attacco DX forato	Right man.coup.+outlet	2	
66	550460	Curva ø 18	Elbow	1	
67	550450	Girello 3/4" G	Ring nut	1	
68	880831	OR ø 15,54x2,62	O-Ring	1	Viton
69	1609000	Valvola di sicurezza	Safety valve	1	■
70	881560	Gomitolo 90° 1/2" G (M)-(F)	Elbow	1	■
71	580421	Prolunga (M)-(F) 1/2" G	Extension	1	C ₂₀
72	180101	OR ø 17,5x2	O-Ring	2	▶
73	850851	Vite TCEI M 6x30	Bolt	2	Geomet C ₁₀
74	620472	Vite TCEI M 10x20	Bolt	3	Geomet C ₃₀
75	550175	Albero eccentr. "SPxCR"	"SPxCR" shaft	1	AR 115 bp (AN)
76	580430	Albero eccentr. "SPxCR"	"SPxCR" shaft	1	AR 135 bp (AX)
77	390180	OR ø 18,72x2,62	O-Ring	1	▶
78	1040310	Serbatoio olio	Oil tank	1	
79	650920	OR ø 53,65x2,62	O-Ring	1	
80	1040322	Tappo serbatoio nero	Black oil tank cap	1	AR 115 bp
81	1040320	Tappo serbatoio rosso	Red oil tank cap	1	AR 135 bp
82	580230	OR ø 69,52x2,62	O-Ring	1	
83	550920	Flangia	Flange	1	
84	550950	Vite TCEI M 10x25	Bolt	3	C ₂₀
85	180030	Vite TCEI M 8x20	Bolt	1	C ₂₅
86	620561	OR ø 78x2,5	O-Ring	1	☒
87	621000	Coperchio riduttore	Gear cap	1	
88	550930	Ruota dentata	Gear	1	Z= 64
89	620950	Guarnizione scatola	Gasket	1	
90	1140370	Tappo olio + OR	Oil plug & o-ring	1	
91	1980740	Tappo 3/8" G	Plug	3	Ottone/Brass ● C ₂₀
92	740290	OR ø 14x1,78	O-Ring	3	
93	621010	Vite TCEI M 10x75	Bolt	4	● C ₂₅
94	620960	Scatola riduttore	Gear box	1	
95	540290	Vite TCEI M 8x25	Bolt	4	● C ₂₅
96	651000	Vite TCEI 5/16"	Bolt	4	5/16"x24UNFx1"
97	881090	Linguetta	Key	1	
98	961800	Anello tenuta	Seal ring	1	☒
99	961790	Anello seeger	Circlip	1	
100	320240	Anello seeger	Circlip	2	
101	961780	Cuscinetto	Bearing	1	☒
102	621660	Pignone	Pinion	1	Z= 11
103	620990	Cuscinetto	Bearing	1	

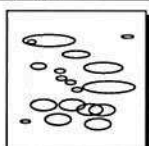
Bassa Pressione
Low Pressure



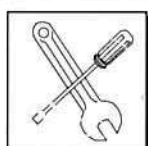
KIT 2367	
Membrane gomma Buna diaphragms	
KIT 2368	
Membrane HPDS HPDS diaphragms	
KIT 2369	
Membrane Desmopan Desmopan diaphragms	
Pos.	Q.ty
8	3



KIT 2370	
Valvole Valves	
Pos.	Q.ty
16	6
17	6



KIT 2026	
OR O-Rings	
Pos.	Q.ty
16	6
19	7
29	1
47	1
52	1
54	1
66	1
81	1
83	1



KIT 2025					
Pronto intervento Maintenance repair					
Pos.	Q.ty	Pos.	Q.ty	Pos.	Q.ty
8	3	46	1	81	1
16	6	47	1	82	1
17	6	48	1	83	1
18	1	49	1	84	1
19	7	50	1		
20	1	53	1		
23	1	54	1		
26	1	64	1		
29	1	65	1		



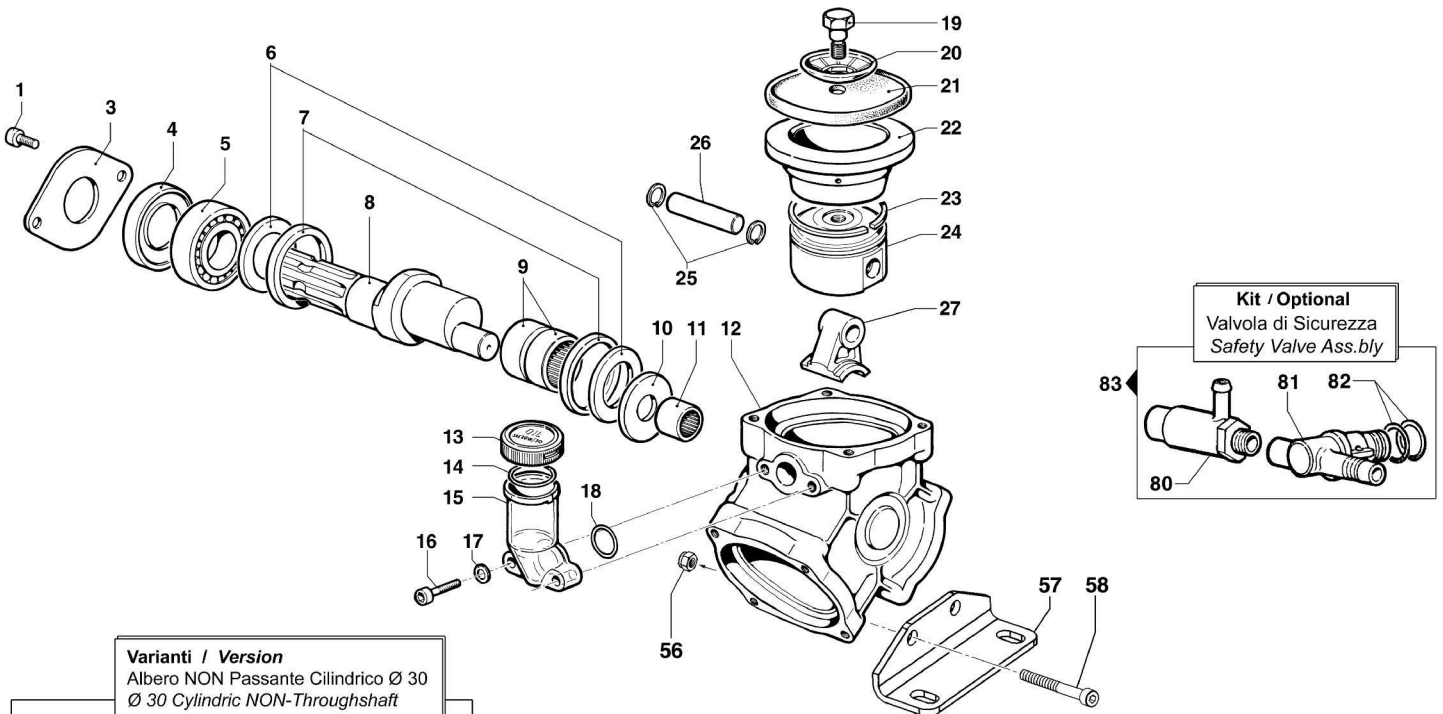
Olio utilizzato Used oil	
Tipo - Type	Kg
Pompa - Pump SAE 30	1
Ridut. - Gear box SAE 30	0,26

BP K Series

BP 105 K - BP 125 K

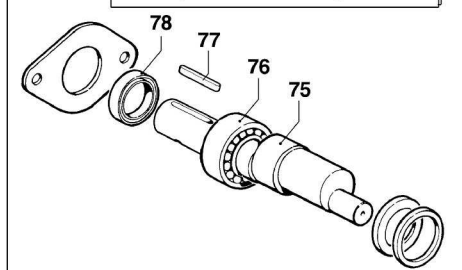
Pompe a Membrana - Diaphragm Pumps

550 RPM

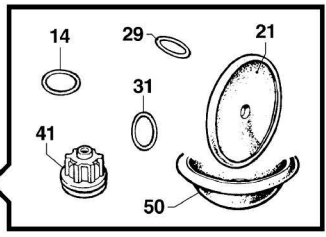
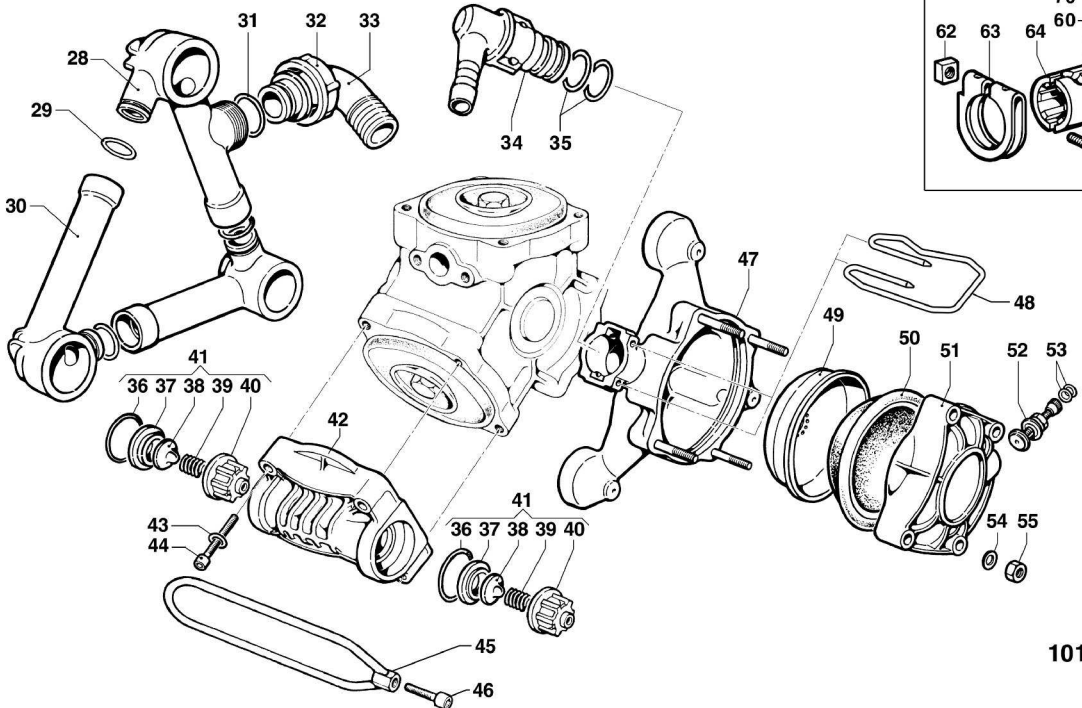
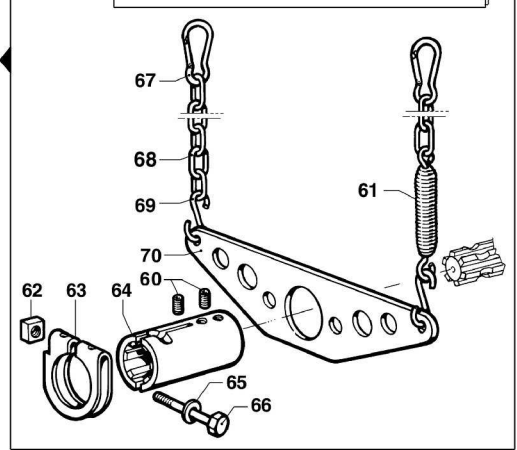


Kit / Optional
Valvola di Sicurezza
Safety Valve Ass.bly

Varianti / Version
Albero NON Passante Cilindrico Ø 30
Ø 30 Cylindric NON-Throughshaft



Varianti / Version
Attacco Rapido Traversa/Catena 1" 3/8
1" 3/8 Quick Coupling Torque Arm and Chain



Pompa Base
Standard Pump

Albero NON Passante 1"3/8M, con Piedi
1"3/8M NON-Throughshaft, with Feet

BP 105 K - BP 125 K

550 RPM

N°	Cod.	Descrizione	Description	Note	Qty	Model
1	3609 0171	Vite	Screw	M10x16	2	
3	1004 0013	Flangia Tenuta Paraolio	Flange		1	
4	0019 0010	Anello Tenuta	Oil Seal	Ø35x62x10	1	
5	0438 0015	Cuscinetto a Sfere	Ball Bearing	Ø35x62x14	1	
6	2813 0019	Rondella Tenuta Biella	Connecting Rod Washer	Ø63x40x2,8	2	
7	0010 0008	Anello Tenuta Biella	Connecting Rod Ring	Ø68x55x6	2	
8	0001 0382	Albero Non Passante	NON-Throughshaft	1"3/8 M	1	BP125K
	0001 0098	Albero Non Passante	NON-Throughshaft	1"3/8 M	1	BP105K
9	0437 0045	Cuscinetto Rulli	Roller Bearing	Ø40x47x16	2	
10	2813 0024	Rondella Tenuta Biella	Connecting Rod Washer	Ø20x50x3	1	
11	0437 0033	Cuscinetto Rulli	Roller Bearing	Ø20x28x23	1	
12	0403 0133	Carter Pompa	Pump Crankcase		1	
13	0402 0141	Coperchio Compens. Vol.	Volum. Compensator Cover		1	
14	1210 0122	Guarnizione OR	O-Ring	Ø2,62x44,12	1	
15	0421 0020	Compensatore Volumetr.	Volumetric Compensator		1	
16	3609 0165	Vite	Screw	M8x35	2	
17	2811 0099	Rondella	Washer	Ø8,4x15x1,6	2	
18	1210 0037	Guarnizione OR	O-Ring	Ø2,5x25	1	
19	3605 0005	Vite Spec. Tenuta Membr.	Diaphragm Holder Screw		3	
20	0602 0045	Disco Tenuta Membrana	Disc		3	
21	1800 0002	Membrana Pompa	Diaphragm	Gomma Nitrilica Buna Rubber	3	
	1800 0178	Membrana Pompa	Diaphragm	Desmopan ®	3	
	1800 0032	Membrana Pompa	Diaphragm	Viton ®	3	
22	0400 0077	Camicia	Piston Sleeve	Ø75	3	BP125K
	0400 0088	Camicia	Piston Sleeve	Ø70	3	BP105K
23	0020 0009	Anello Compressione	Compression Ring	Ø75	3	BP125K
	0020 0001	Anello Compressione	Compression Ring	Ø70	3	BP105K
24	2409 0081	Pistone	Piston	Ø75	3	BP125K
	2409 0096	Pistone	Piston	Ø70	3	BP105K
25	3020 0001	Seegeer Interno	Inner Seeger	Ø15	6	
26	3011 0001	Spinotto	Gudgeon Pin	Ø15x53	3	
27	0205 0034	Kit Biella 3SET	Connecting Rod Assembly		1	
28	3212 0023	Tubo Aspirazione	Suction Hose		1	
29	1210 0047	Guarnizione OR	O-Ring	Ø2,62x22,22	3	
30	3213 0012	Tubo Aspirazione	Suction Pipe		2	
31	1210 0034	Guarnizione OR	O-Ring	Ø3,53x28,17	1	
32	1200 0011	Galletto	Wing Nut		1	
33	2801 0063	Raccordo p.g. Aspir. Curvo	Suction Elbow Tail	Ø25x40	1	BP125K
	2801 0009	Raccordo p.g. Aspir. Curvo	Suction Elbow Tail	Ø25x35	1	BP105K
34	2803 0033	Raccordo Rapido p.g. Curvo	Elbow Quick Coupling	Ø20	1	
35	1210 0002	Guarnizione OR	O-Ring	Ø2,62x20,7	2	
36	1210 0419	Guarnizione OR	O-Ring	Ø6x37x49	6	
37	3009 0022	Sede Valv. Aspir./Mandata	Suct./Delivery Valve Seat		6	
38	3604 0009	Valvola Aspiraz./Mandata	Suction/Delivery Valve		6	
39	1802 0255	Molla	Spring		6	
40	1205 0034	Gabbia Valv. Aspir./Mand.	Suct./Delivery Valve Cage		6	
41	1220 0046	Gruppo Valvola Asp./Mand.	Suct./Del. Valve Ass.y Kit		6	
42	3218 0123	Testata Pompa	Pump Manifold		3	
43	2811 0098	Rondella	Washer	Ø10,5x18x2	12	
44	3609 0161	Vite	Screw	M10x45	12	
45	0418 0041	Cavallotto	U-Bolt		3	
46	3609 0160	Vite	Screw	M10x30	3	
47	0002 0021	Accumulatore Press. Infer.	Pressure Accumulator		1	
48	1202 0060	Gancio Fissaggio Mandata	Delivery Hook		1	

N°	Cod.	Descrizione	Description	Note	Qty	Model
49	0460 0036	Calotta Sostegno Membr.	Diaphragm Support Cap		1	
50	1800 0034	Membrana Accumulatore	Diaphragm		1	
51	0003 0030	Accumulatore Press. Sup.	Pressure Accumulator	Arancione/Orange	1	BP125K
	0003 0015	Accumulatore Press. Sup.	Pressure Accumulator	Nero / Black	1	BP105K
52	3610 0003	Valvola Aria	Air Valve		1	
53	1209 0033	Guarnizione	Gasket	Ø14x7,5x2	2	
54	2811 0089	Rondella	Washer	Ø10,5x18x1,6	4	
55	0604 0105	Dado	Nut	M10	4	
56	0604 0073	Dado	Nut	M10X1	2	
57	2400 0108	Piede Sostegno Pompa	Pump Mounting Bracket		2	
58	3609 0051	Vite	Screw	M10x90	2	

Varianti

Version

60	3622 0011	Vite Senza Testa Esag. Inc.	Screw	M8x10	2	
61	1802 0040	Molla (Filo Ø2,5) + Gancio	Spring (Wire Ø2,5) + Hook	Øe20x100	1	
62	0600 0037	Dado Speciale	Special Bolt	M12x6	1	
63	0417 0005	Collare Innesto Attacco Rap.	Collar		1	
64	1407 0006	Innesto Calettato	Quick Coupling	Ø1"3/8	1	
65	2811 0025	Rondella	Washer	Ø13x20x2,5	1	
66	3607 0115	Vite Testa Esagonale	Hexagonal Screw	M12x75	1	
67	1202 0009	Gancio	Hook		2	
68	0465 0001	Catena ad Anelli	Chain	500 mm	2	
69	1202 0006	Gancio	Hook	Ø6	2	
70	3221 0001	Traversa Attacco Rapido	Torque Arm for Quick Coup.		1	
71	5002 0008	Kit Traversa Attacco Rapido	Torque Arm for Quick Coup. Kit		1	

Varianti

Version

75	0001 0394	Albero Non Passante	NON-Throughshaft	Ø30 Cil.	1	BP125K
	0001 0136	Albero Non Passante	NON-Throughshaft	Ø30 Cil.	1	BP105K
76	0438 0016	Cuscinetto a Sfere	Ball Bearing	Ø30x62x16	1	
77	1602 0018	Linguetta	Key	8x7x40	1	
78	0019 0101	Anello Tenuta	Oil Seal	Ø30x62x7	1	BP125K
	0019 0016	Anello Tenuta	Oil Seal	Ø30x62x10	1	BP105K

Kit

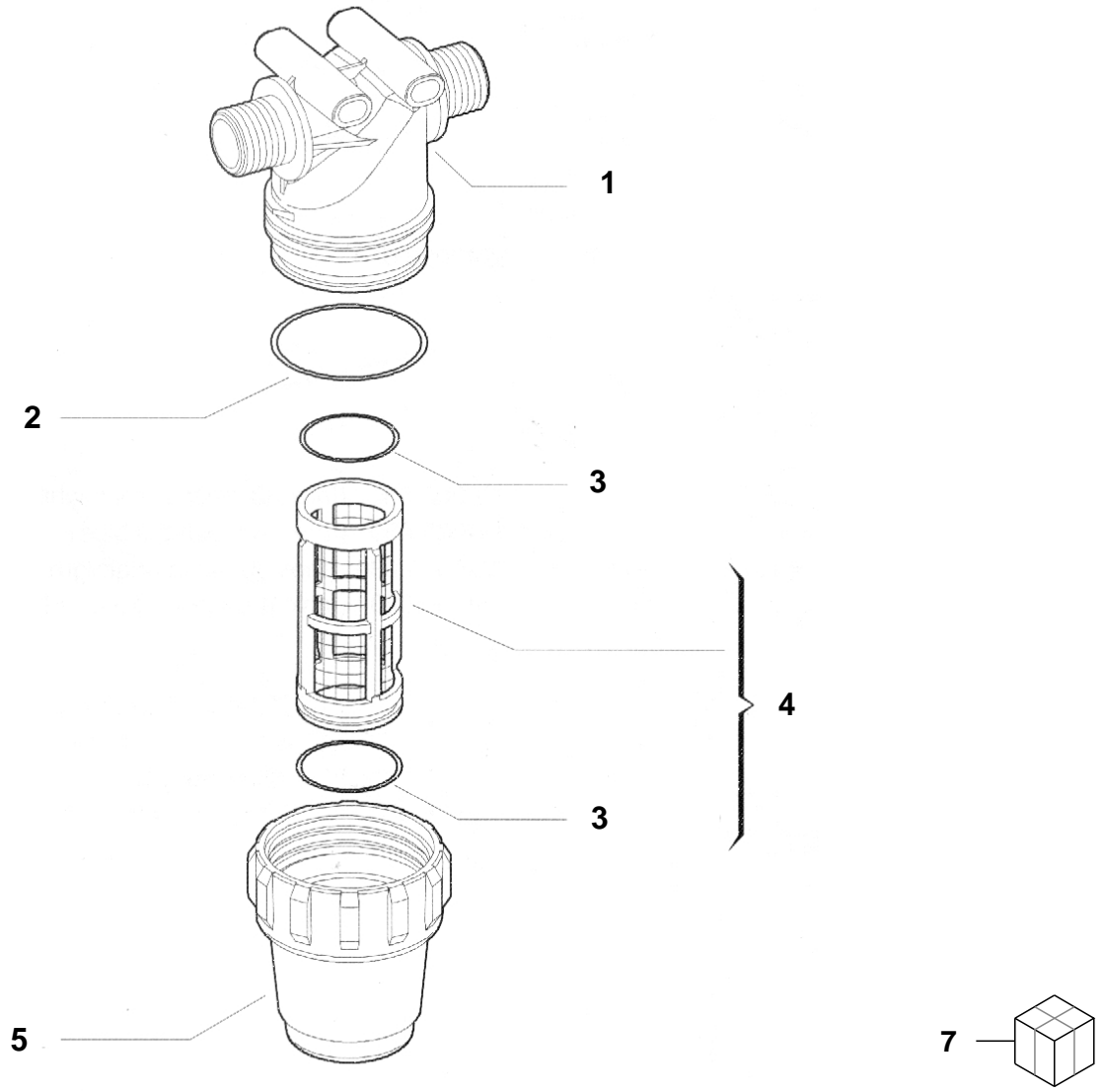
Optional

80	1219 0042	Valvola di Sicurezza	Safety Valve	20 Bar 0-100L	1	
81	2803 0359	Raccordo porta Valvola	Safety Valve Coupling	Ø19 - G3/8"	1	
82	1210 0002	Guarnizione OR	O-Ring	Ø2,62x 20,7	2	
83	2803 0352	Kit Valvola di Sicurezza	Safety Valve Kit	20 Bar 0-100L	1	

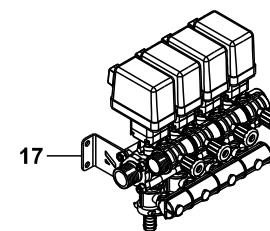
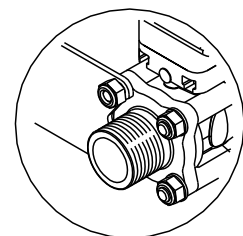
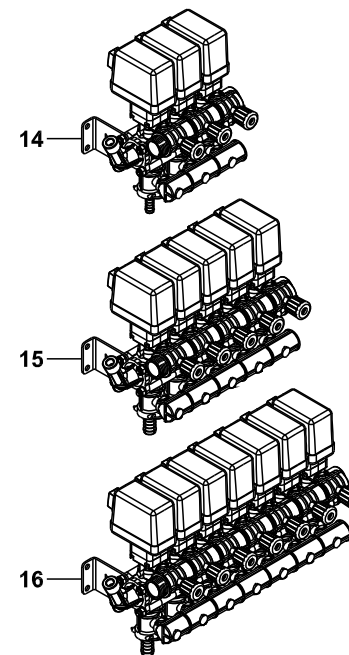
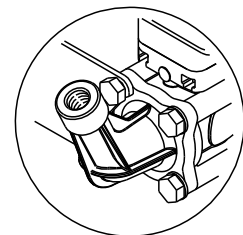
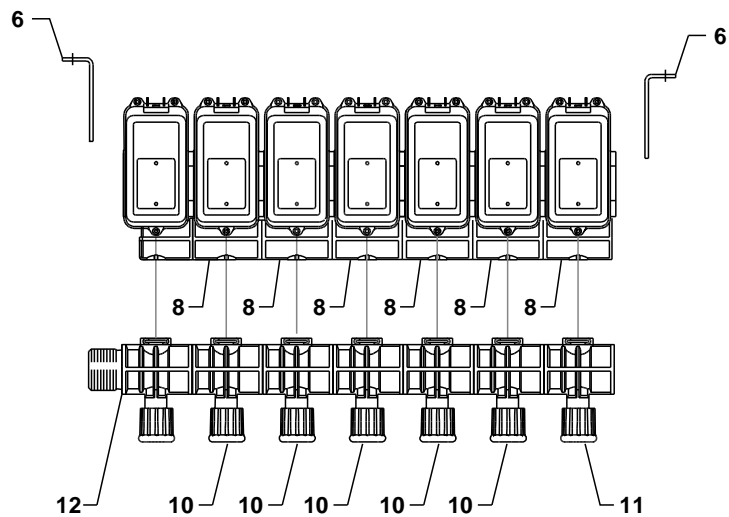
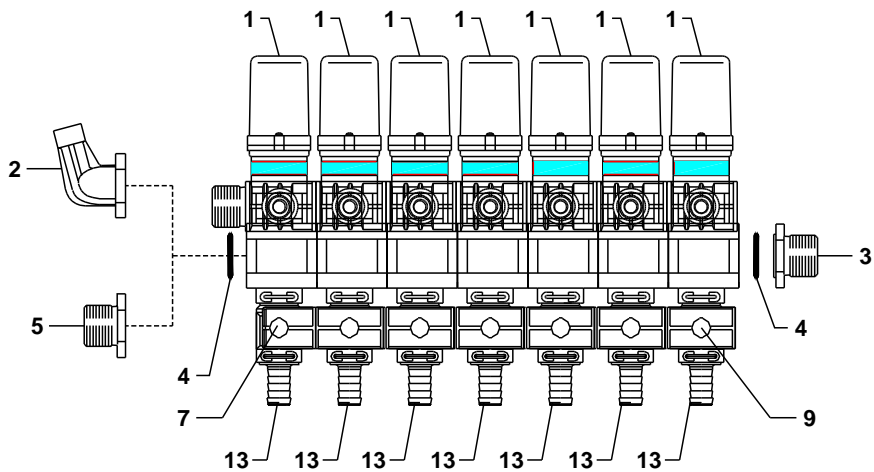
Kit Manutenzione

Maintenance Kit

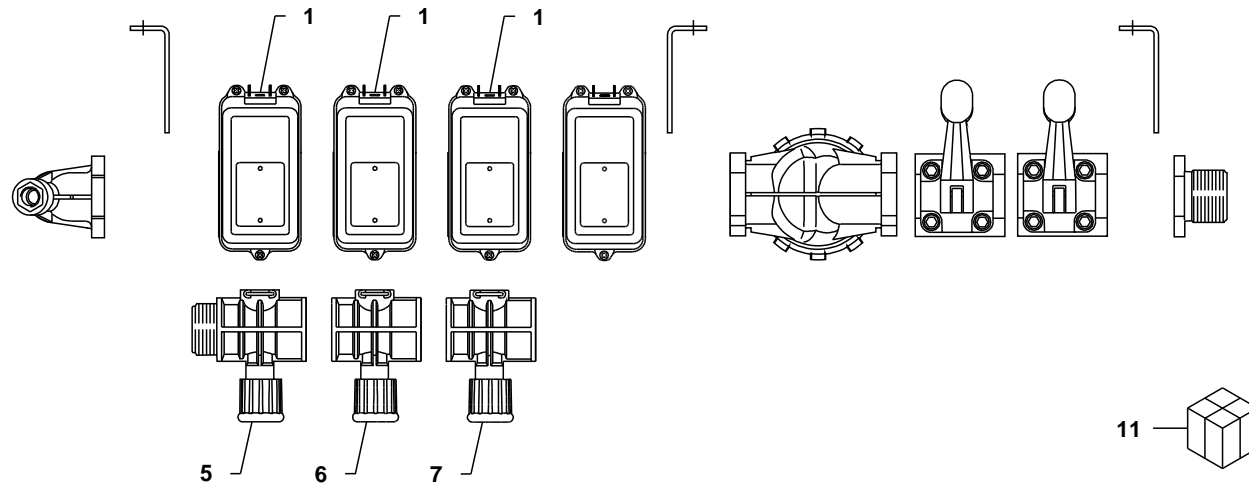
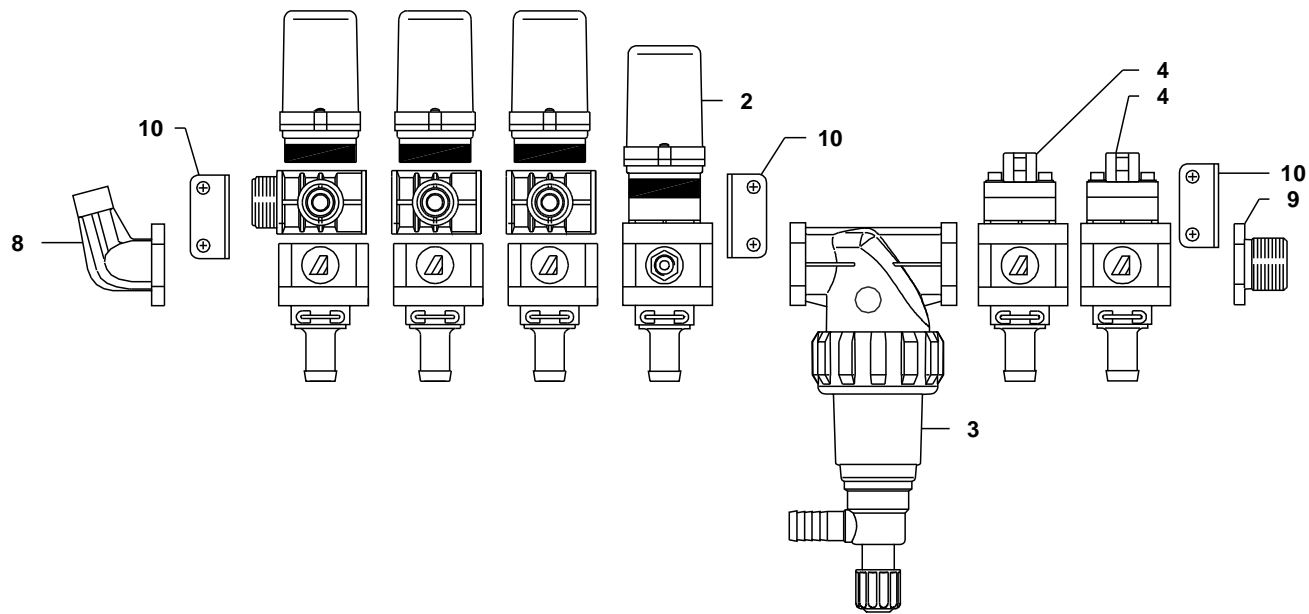
101	5026 0326	Kit Ricambi Manutenzione	Ordinary Maintenance Kit		1	
-----	-----------	--------------------------	--------------------------	--	---	--



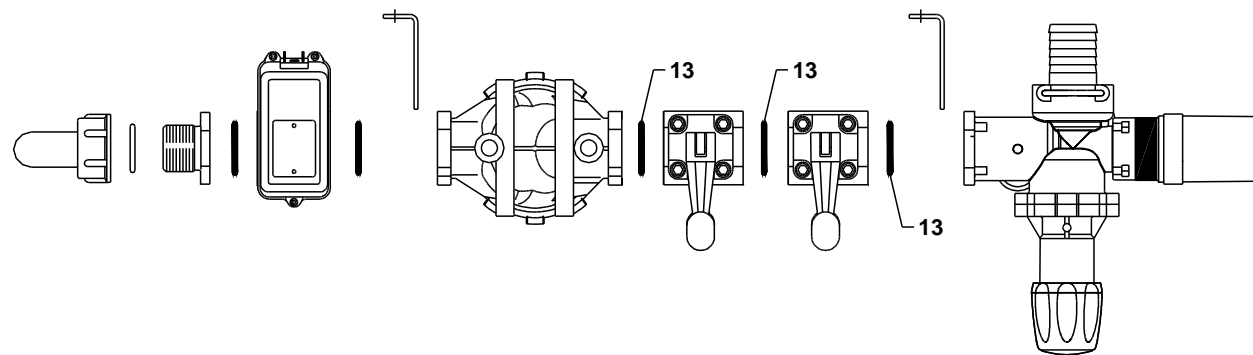
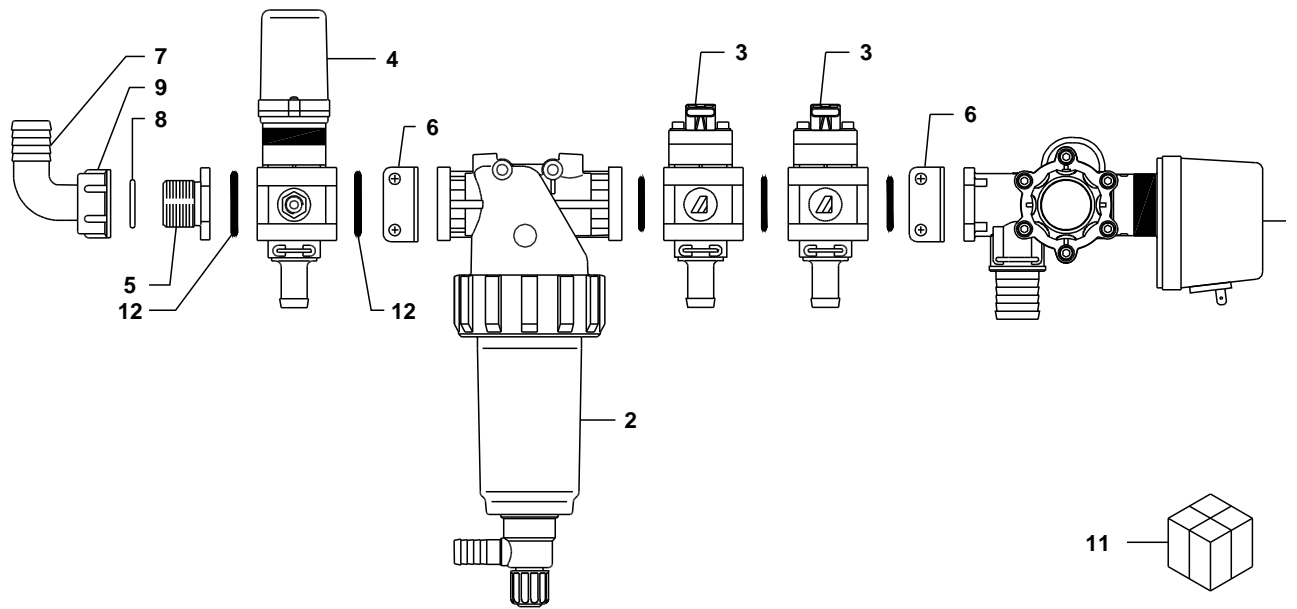
1	GGA3222020.010	G1/2"
1	GGA3222030.010	G3/4"
2	GGA322000.040	
3	GGA322000.050	
4	GGA322004.030	100 mesh
4	GGA322003.030	50 mesh
4	GGA3220035.030	80 mesh
4	BB602322002030	32 mesh
5	GGA322000.020	
7	GGA003222024	G1/2" 100mesh
7	GGA003222034	G3/4" 100mesh



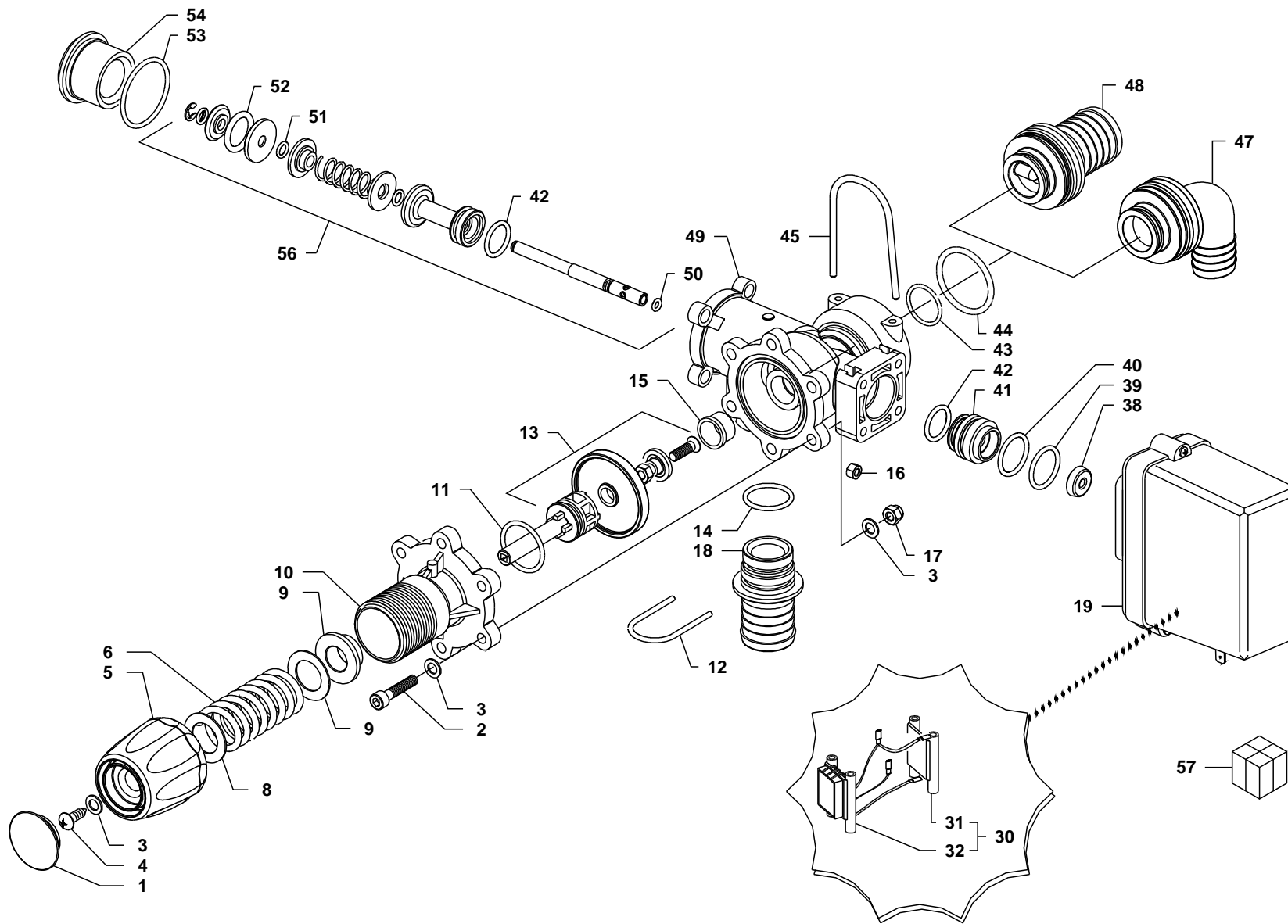
- | | | |
|----|----------------|------------|
| 1 | A- 463011S.910 | |
| 2 | GGA463011.130 | |
| 3 | GGA463000.040 | |
| 4 | GGA00G10071V | |
| 5 | GGA463000.140 | |
| 6 | GGA463011.100 | |
| 7 | A- 463000.260A | |
| 8 | A- 463000.360A | |
| 9 | A- 463000.460A | |
| 10 | GGA463010.802 | |
| 11 | GGA463010.801 | |
| 12 | GGA463010.803 | |
| 13 | A- 463001.A19 | D=19mm |
| 13 | BG010589 | D=13mm |
| 14 | GGA00463CGA12 | 3 funzioni |
| 15 | GGA00463CGA13 | 5 funzioni |
| 16 | GGA00463CGA14 | 7 funzioni |
| 17 | BG019074 | 4 funzioni |



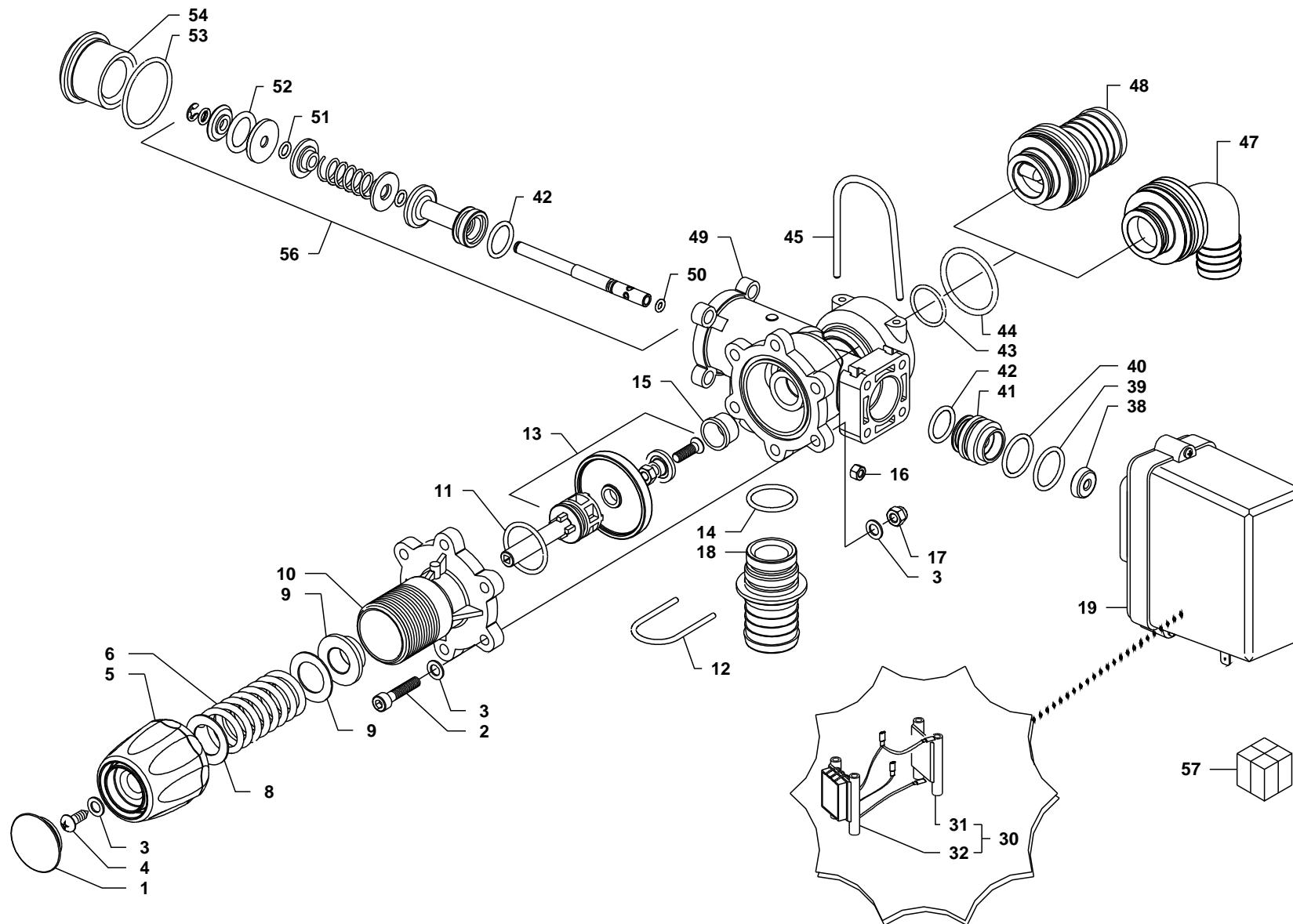
- 1 BB602463011S
- 2 GGA00463020
- 3 GGA0032241135
- 4 GGA00463051
- 5 GGA463010.803
- 6 GGA463010.802
- 7 GGA463010.801
- 8 GGA463011.130
- 9 GGA463000.040
- 10 GGA463011.100
- 11 GGA00463CGA23



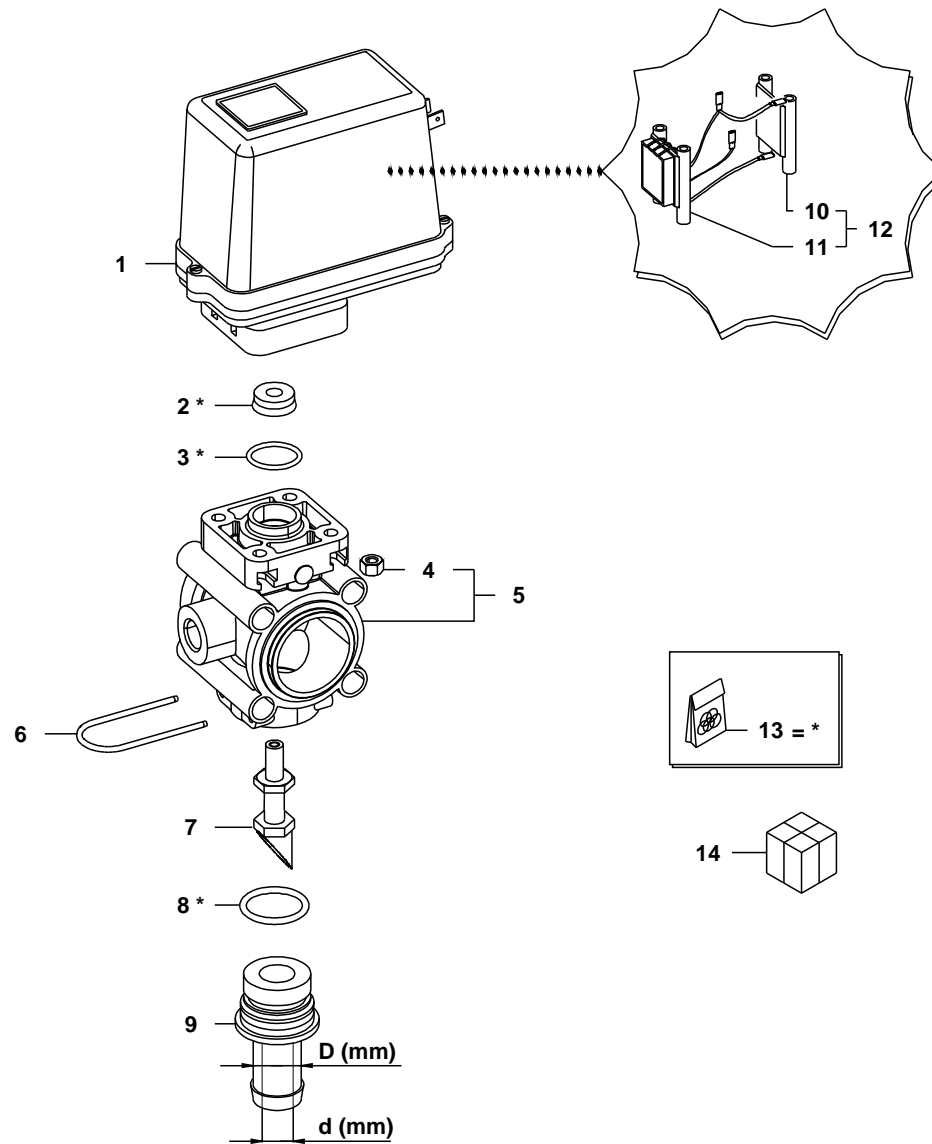
- 1 BG013045
- 2 BG017298
- 3 GGA00463051
- 4 GGA00473022S
- 5 BG006531
- 6 GGA46311.100
- 7 GGA00116525
- 8 GGA00G10051V
- 9 GGA002002050
- 11 GGA00471CGA12
- 12 BG006532
- 13 GGA00G10071V



1	A- 4542237.054	10 bar
1	BG002500	20 bar
1	A- 4542237.058	30 bar
2	A- V1C24K	
3	A- B202F0	
4	GGA00V2B26G	
5	A- 471501.170	10 bar
5	BG002498	20 bar
5	A- 471503.170	30 bar
6	A- 471501.120	10 bar
6	A- 471502.120	20 bar
6	A- 471503.120	30 bar
8	A- 471502.135	
9	A- 471502.130	
10	A- 471502.110	10-20 bar
10	A- 471503.110	30 bar
11	A- G10041V	
12	A- 461511.040	
13	A- 471502.180	
14	A- 4062000.060V	
15	A- 471202.012	
16	A- B10232	
17	A- B12241	
18	GGA473001.119	D= 19mm
18	GGA473001.125	D= 25mm
18	GGA473001.130	D= 30mm
18	GGA473001.132	D= 32mm
18	A- 473001.245N	1" NPT F
18	A- 473001.240	G 1" M
18	GGA473001.250	G 1" 1/4 M
19	BG004017	
30	GGA4652900.020	
31	A- 4652900.021	
32	A- 4652900.025	
38	GGA465900.180	
39	GGA465900.060	
40	GGA465005.140V	
41	A- 471202.011	
42	A- 004500.070V	
43	GGA00G10051V	
44	GGA460000.210V	
45	GGA460000.230	
47	GGA471202.425	D= 25mm
47	A- 471202.430	D= 30mm
48	A- 471202.140	Blu / blue
48	A- 471202.141	Verde / Green
48	A- 471202.143	Verde / Green
48	A- 471202.145	Rosso / Red
48	GGA471202.325	D= 25mm
48	A- 471202.330	D= 30mm

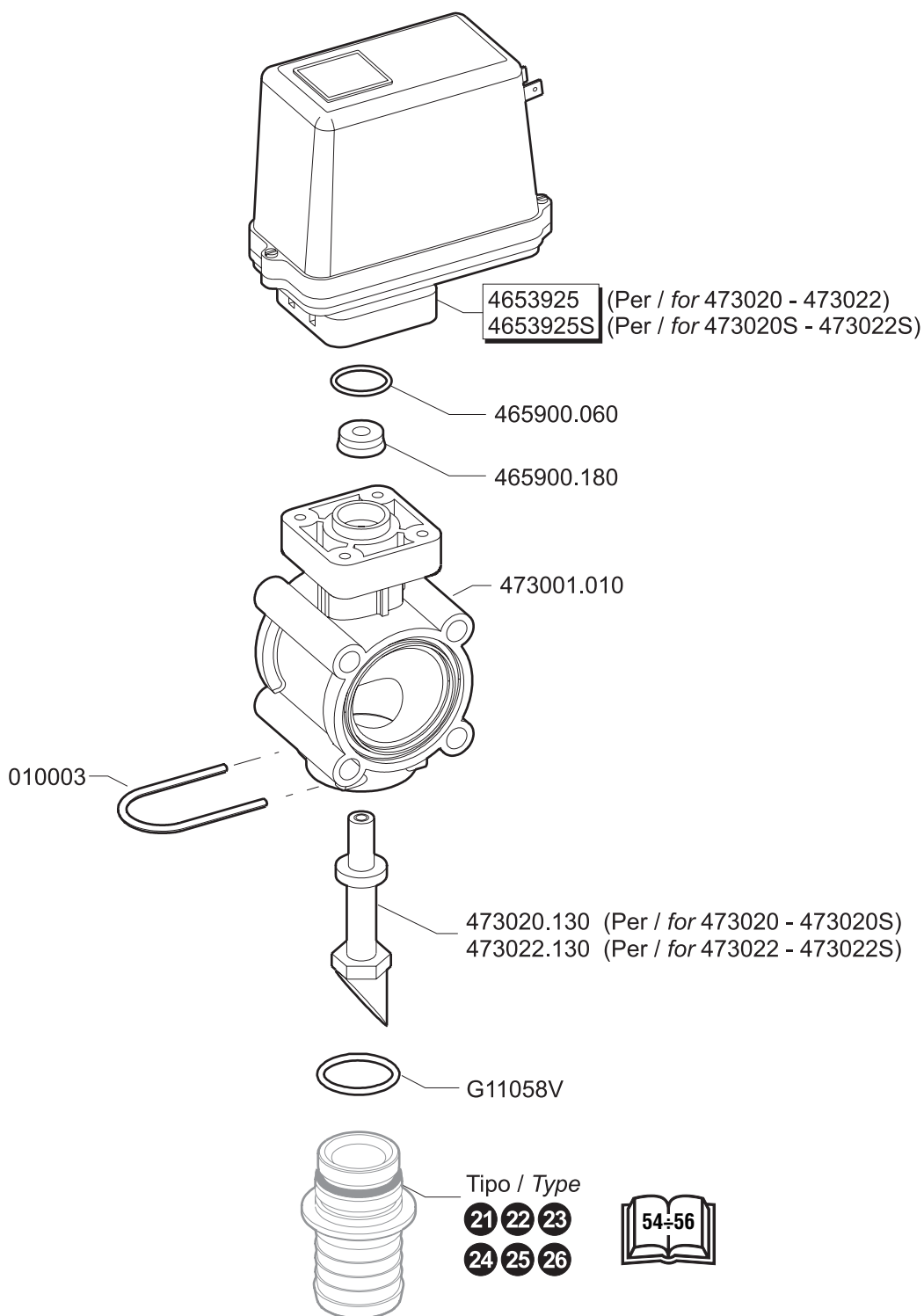


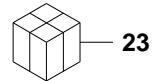
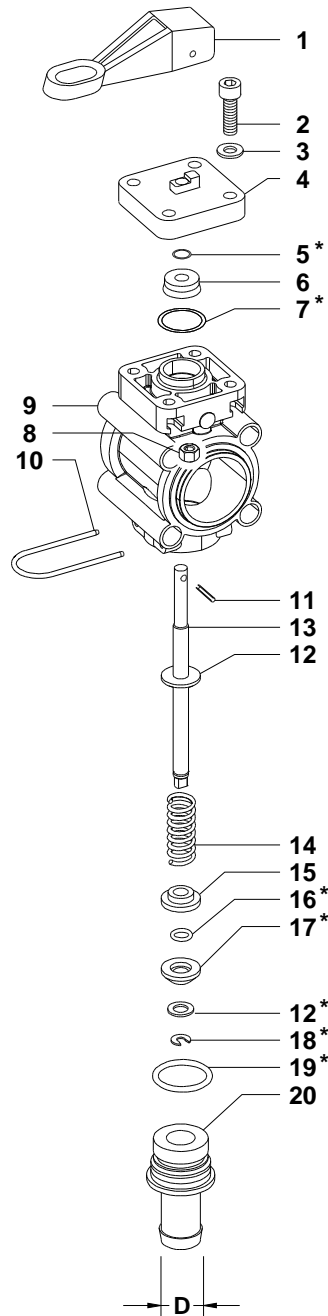
48	A- 471202.332	D=32mm
48	A- 471202.335	D=35mm
49	GGA471502.010	
50	GGA00G11013V	
51	GGA465910.070V	
52	A- G11028V	
53	GGA00G10071V	
54	A- 471202.028	(F)
54	A- 471202.029	(M)
55	A- 463911.100	
56	A- 471502.550	
57	BG013045	



1	GGA004653925	
2	GGA465900.180	
3	GGA465900.060	
4	A-B10232	
5	A-4631001.010	
6	GGA462300.040	
7	A-463020.130	GGA00463020
7	GGA463022.130	GGA00463022
7	A-463024.130	GGA00463024
8	GGA465005.140V	
9	GGA463001.119	d=14 D=19
9	GGA463001.125M	d=14 D=25
9	A-463022.113	d=10 D=13
9	A-463001.125	d=16 D=25
10	A-4652900.021	
11	A-4652925.025	
12	A-4652925020	
13	GGA463020.500	
14	GGA00463020	100 l/min
14	GGA00463022	60 l/min
14	GGA00463024	150 l/min

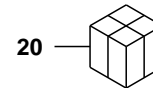
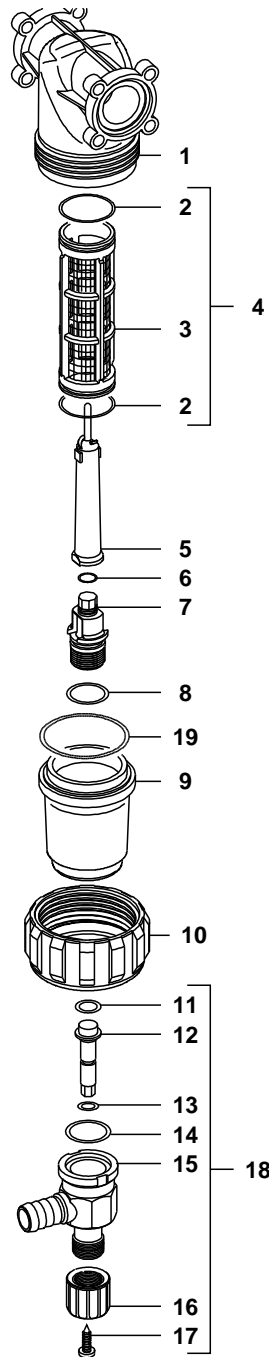
473020-020S-022-022S





* = 22

1	GGA463051.140	
2	A- V1C13I	
3	A- B201E0	
4	A- 463051.130	
5	A- G11019V	
6	GGA465900.180	
7	GGA465900.060	
8	A- B10132	
9	BB602463001010	
10	GGA462300.040	
11	A- B4023H	
12	A- B202G0	
13	A- 463051.040	
14	A- 463051.050	
15	BB602463001030	D= 10 mm
16	GGA465910.070V	D= 13 mm
17	GGA463001.060	D= 16 mm
18	A- B352D0	D= 19 mm
19	GGA465005.140V	D= 25 mm
20	BG019226	
20	BG010589	
20	GGA463001.116	
20	GGA463001.119	
20	GGA463001.125M	
22	A- 463051.500	
23	GGA00463051	



- 1 A- 3224010.010
- 2 GGA322000.050
- 3 A- 323003.032
- 3 A- 3230035.032
- 3 A- 323004.032
- 4 BG015647
- 5 A- 3224100.062
- 6 GGA500000.170
- 7 A- 3224100.061
- 8 GGA465005.140V
- 9 A- 3224100.020
- 10 A- 3224000.050
- 11 A- 004352.060V
- 12 A- 3262100.080
- 13 A- 318000.230
- 14 GGA00G10051V
- 15 A- 3224100.070
- 16 A- 3262100.090
- 17 GGA00V2B26G
- 18 A- 3224100.100
- 19 A- G11017
- 20 GGA0032241135

grigio / grey