



Gebruiksaanwijzing
Onderdelenlijst

Operator's Manual
Spare parts list

Bedienungsanleitung
Ersatzteilliste

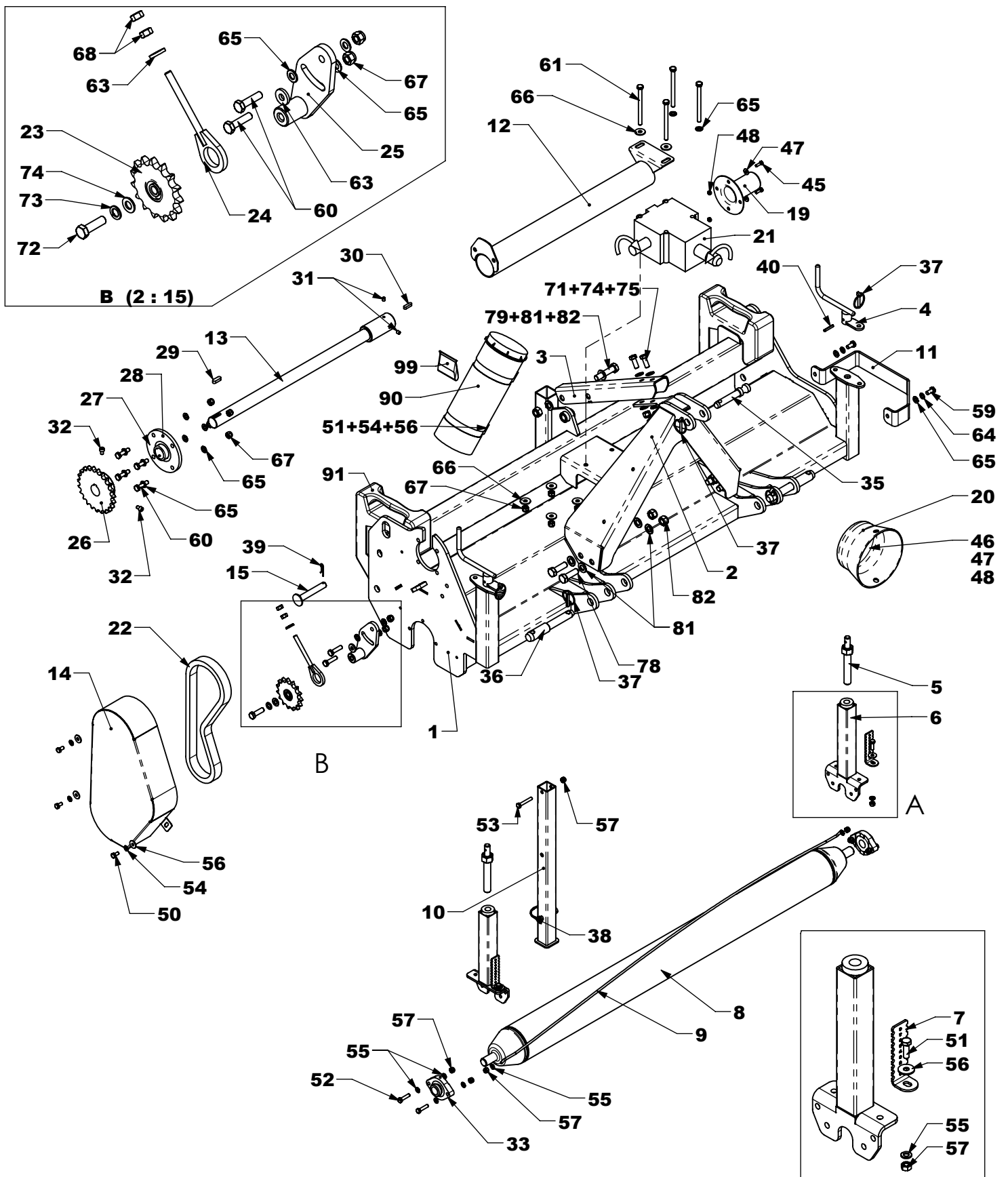
Modo de empleo
la lista de piezas de
recambio

Manual de instruções
Livro de peças de
reposição



Quality by Design

VCU



Vanmac BV
Astronaut 40
3824 MJ AMERSFOORT
the Netherlands

T +31(0)33 456 44 32
F +31(0)33 456 44 33
Info@vanmac.nl
www.vanmac.nl

3-punts Verticuteer VCU150

3-Punkt verticutier VCU150

3-Point scarifier VCU150



00.34-0103

Drawn 9/2/2009 1:25:00 PM	Sheet 1/3
Revised AVDB 3-5-2011	Revision A

40	2	KR.1481630	Holspie 6x30	Tightening Pin	Spannhülse	
39	2	KR.CL3EZ	Borgveer 3mm	Lock Spring	Sicherungsfeder	
38	1	KR.LP9568Z	Borgpen 9,5x68mm	Lock pin	Sicherungstift	
37	5	KR.LP11Z	Borgclip 11mm	Lock Clip 11 Mm	Sicherungsfeder	
36	2	KR.Z422281	Werktuigpen Ø22-Ø28	Pin	Stift	cat.1-2 c L=181
35	1	KR.Z319075	Topstangpen Ø19x76	Pin	Vorsteckbolzen	
33.2	1	KR.GN61180	Vetnippel M6 180°	Schmierkopf	Grease Nipple M6 180°	
33.1	1	KR.GRAE25NPPB	Binnenlager	Lager	Ring	
33	2	KR.GLCTE25	Lagerblok Cpl.	Ring Block	Lagergehäuse	
32	2	90.912820	Cil.Inbusbout M8x20	Cylinder Head Screw	Zylinderschraube	
31	2	90.916810	Inbus Stelbout M8x10	Inner Hex Bolt	Schraube	
30	1	90.68858740	Inlegspie 8x7x40	Parallel key	Passfeder	
29	1	90.688510830	Inlegspie 10x8x30	Parallel Key	Passfeder	
28	1	KR.GN61180	Vetnippel M6 180°	Grease Nipple M6 180°	Schmierkopf	
27	1	90.FCE207	Lagerblok Compl. SNR	Bearing block	Lagergehäuse	
26	1	42.30160	Kett.Wiel 3/4" 23t Ø35 SP10	Chain Sprocket	Kettenrolle	2x tapg.op Spie+90gr.
25	1	42.0350	Kettingspanner	Chain Tightener	Spannklotze	Vert.Unit Zijkant
24	1	42.00002	Spanbout Vert.Kettingsp.	Tensioning bolt	Spannbolzen	
23	1	KR.SWE341512	Spanwiel 3/4" 15t +lager 12m	Chain Tensionwheel	Spannrolle	
22.2	1	KR.VE60H	Verb.Schakel	Kettenglied	Closing Link	
22.1	1	KR.KE60H	Rollenketting Asa 60h	Rollenkette	Roller chain	990
22	1	90.ASA60H990	Rollenketting 3/4"KE60H L=990	Roller chain	Rollenkette	VCU120-150-200-240
21	1	34.03501	Tandwielkast 1:1	Gear box	Zahnradkasten	Tegenlopende assen
20	1	KR.820900	Beschermkap	Guard	Schutzhaube	
19	1	KR.190000484	Beschermhuls Affakasstomp	Guard	Schutzhaube	
15	2	34.01025	Pen D17 L=113	Pin	Stift	VCU120/150
14	1	34.01014	Beschermkap	Guard	Schützhaube	
13	1	34.01023	Aandrijfas 35mm met opsteekbus	Drive shaft	Antriebswelle	L=734mm
12	1	34.01024	Beschermkap aandrijfas	Guard	Schützhaube	VCU 120/150
11	1	34.010112	Veiligheidsbeugel	Safety switch Brace	Sicherungsschalterhalterung	Strip
10	1	34.01006	Steunpoot	Jack	Stützfuss	
9	1	34.01031	Schraapkabel Ltot=1510mm	Scraper	Abstreifer	6mm - 2x draaieind M
8	1	34.01032	Looprol 1.50m	Roller 1.50m	Laufrollen 1.50m	
7	2	34.01018	Hoogtemarkering	Roller jack	Walzenhöhereglung	
6	2	34.03002	Binnenkant Hoogteverstelling	Quick height adjustment	Schnellhöhe-einstellung	Universeel
5	2	34.03005	Spindel Hoogteverstelling	Spindle	Spinner	
4	2	34.03004	Hendel Hoogteverstelling	Lever	Hebel	
3	1	034.0101.09	Schoor LSM	Bracket	Verstrebung	
2	1	34.010110	3-punts frame	3-Point Linkage Frame	3-Punktsgestell	
1	1	34.01030	Frame 1.50m	Frame 1.50m	Frame 1.50m	
Item	QTY	Reference	Omschrijving	Description	Benennung	Opmerking

Vanmac BV
Astronaut 40
3824 MJ AMERSFOORT
the Netherlands

T +31(0)33 456 44 32
F +31(0)33 456 44 33
Info@vanmac.nl
www.vanmac.nl

3-punts Verticuteer VCU150

3-Punkt verticutier VCU150

3-Point scarifier VCU150



00.34-0103

Drawn 9/2/2009 1:25:00 PM	Sheet 2/3
Revised AVDB 3-5-2011	Revision A

99	0	34.01017	Zakje met breekbouten	Shearbolt	Scherbolzen	4x M8x45 8.8 + moer
91	2	44.03050	Gewicht Verticuteer a 25kg	Weight	Gewicht	
90	1	IT.1005	Documenthouder 125x345mm	Document Tube	Dokumenthalterung	Zwart/Zwart Schroefd
82	5	90.98516	Zelfborgende Moer M16	Self-locking Nut M16	Selbstsichernde Mutter	
81	10	90.125A16	Sluitring M16	Washer M16	Unterlegscheibe	
79	1	90.9311670	Zeskantbout M16x70	Hex.Bolt	Schraube	
78	4	90.9331650	Tapbout M16x50	Hex Bolt M16x50	Schraube	
75	2	90.98512	Zelfborgende Moer M12	Self-locking Nut	Selbstsichernde Mutter	
74	5	90.125A12	Sluitring M12	Washer M12	Unterlegscheibe	
73	1	90.127B12	Veerring M12	Spring Washer	Federring	
72	1	90.9331240	Tapbout M12x40	Hex Bolt M12x40	Schraube	
71	2	90.9331230	Tapbout M12x30	Hex Bolt	Schraube	
68	2	90.93410	Moer M10	Nut	Mutter	
67	10	90.98510	Zelfborgende Moer M10	Self-locking nut M10	Selbstsichernde Mutter M10	
66	6	90.9021A10	Carr.Ring M10	Washer M10	Unterlegscheibe	
65	15	90.125A10	Sluitring M10	Washer M10	Unterlegscheibe M10	
64	2	90.127B10	Veerring M10	Spring Washer M10	Federring M10	
63	2	90.734910	Carr.Ring M10 Dik	Washer M10	Unterlegscheibe	
61	4	90.93110130	Zeskantbout M10x130	Hex.Bolt	Schraube	20 in M-Bin
60	6	90.9331040	Tapbout M10x40	Hex Bolt	Schraube	
59	2	90.9331020	Tapbout M10x20	Tap Bolt M10x20	Schraube	
57	9	90.9858	Zelfborgende Moer M8	Self Locking Nut M8	Selbstsichernde Mutter M8	
56	7	90.9021A8	Carr.Ring M8	Washer M8	Unterlegscheibe	
55	12	90.125A8	Sluitring M8	Washer M8	Unterlegscheibe	
54	5	90.127B8	Veerring M8	Spring Washer M8	Federring	
53	1	90.931850	Zeskantbout M8x50	Hex.Bolt	Schraube	
52	4	90.933835	Tapbout M8x35	Bolt	Bolz	
51	2	90.933825	Tapbout M8x25	Hex Bolt	Schraube	
50	3	90.933816	Tapbout M8x16	Bolt M8x16	Schraube	
48	4	90.9856	Zelfborgende Moer M6	Lock Nut M6	Sicherungsmutter M6	
47	4	90.9021A6	Carr.Ring M6	Washer M6	Unterlegscheibe	Ø18x1.6 Gat Ø6 200 i
46	2	90.933616	Tapbout M6x16	Hex Bolt M6x16	Schraube	
45	2	90.933620	Tapbout M6x20	Hex Bolt M6x20	Schraube	0 -1
Item	QTY	Reference	Omschrijving	Description	Benennung	Opmerking

Vanmac BV
Astronaut 40
3824 MJ AMERSFOORT
the Netherlands

T +31(0)33 456 44 32
F +31(0)33 456 44 33
Info@vanmac.nl
www.vanmac.nl

3-punts Verticuteer VCU150

3-Punkt verticutier VCU150

3-Point scarifier VCU150

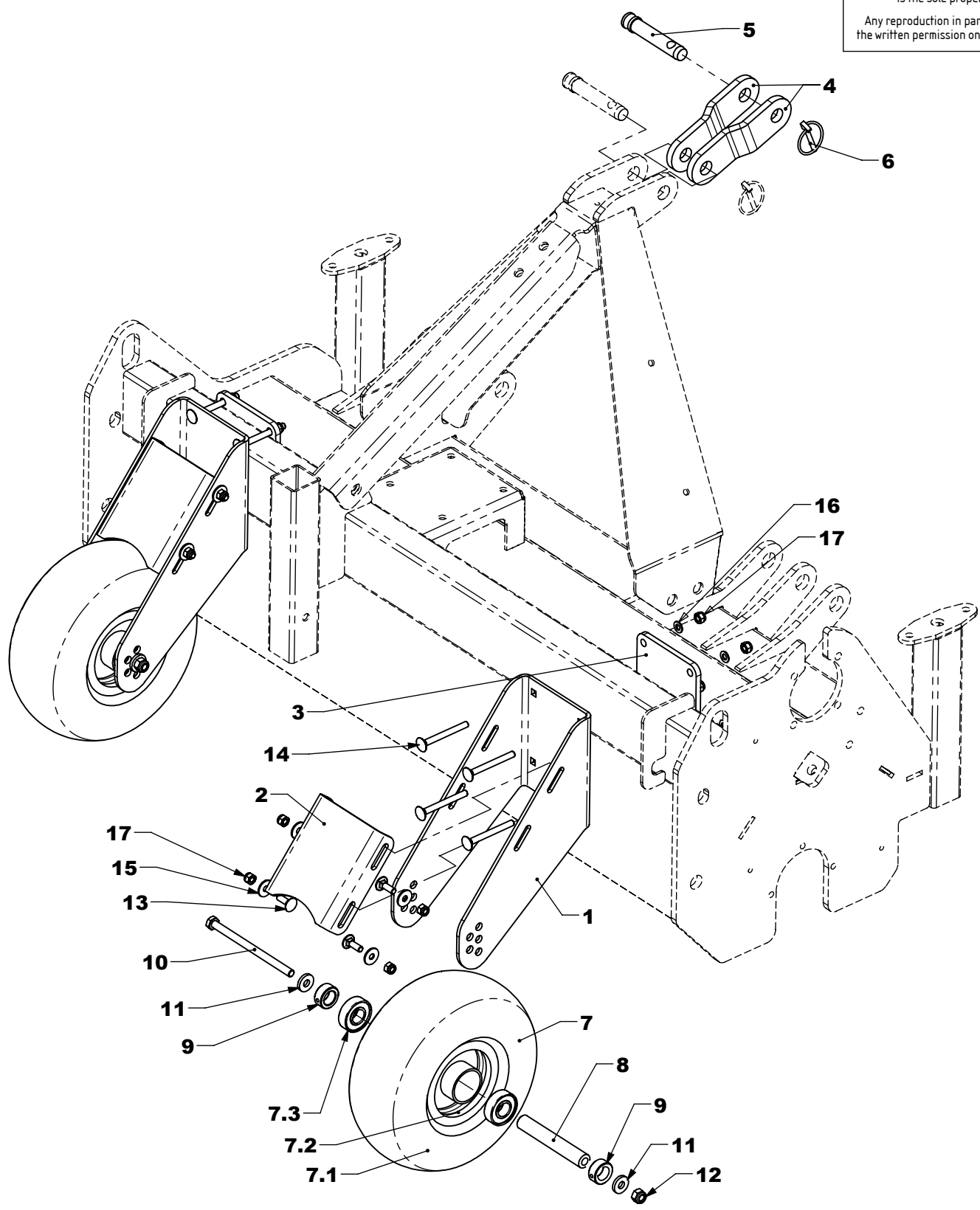


00.34-0103

Drawn 9/2/2009 1:25:00 PM	Sheet 3/3
Revised AVDB 3-5-2011	Revision A

034.0151.00 - ZRefl

PROPRIETARY AND CONFIDENTIAL
 The information contained in this drawing
 is the sole property of VANMAC bv.
 Any reproduction in part or as a whole without
 the written permission on VANMAC bv is prohibited.



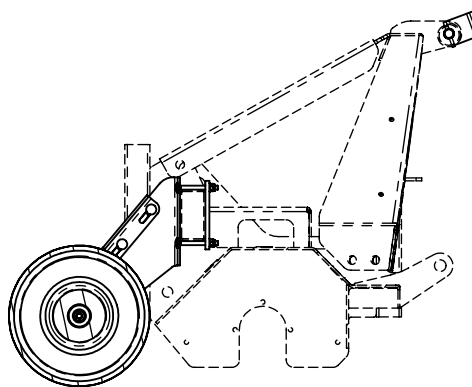
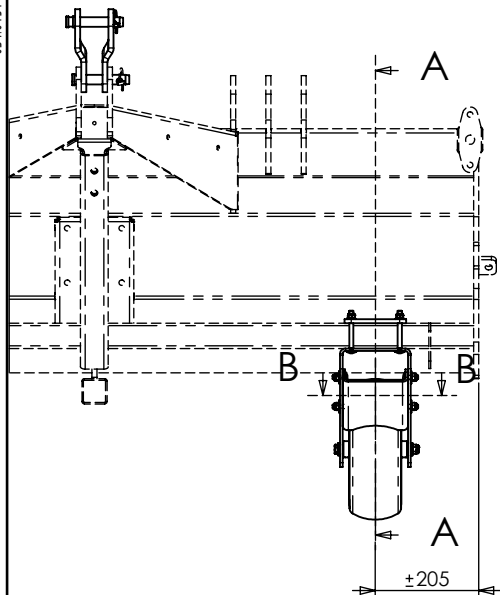
Vanmac BV
 Astronaut 40
 3824 MJ AMERSFOORT
 the Netherlands
 T +31(0)33 456 44 32
 F +31(0)33 456 44 33
 Info@vanmac.nl
 www.vanmac.nl

DO NOT SCALE DRAWING
 Tolerances unless stated:
 DIN 7168 - Middle Series
 Remove welding spatter
 Sheet metal unscratched
 Debur / Break sharp edges

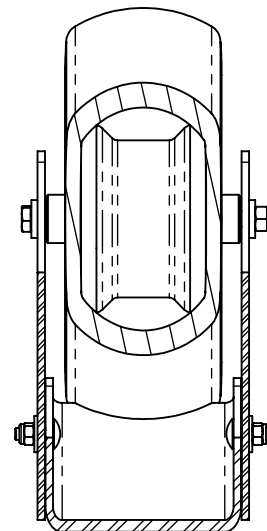
Undulatiekit Verticuteerunits			
	Remarks	-	PGM
	Qty per Machine, (1x per machine)	Weight	Scale
		kg	1:7.5

00.34-0151	
Drawn PCL	19-3-2010
Sheet	1/2
Revised	1-1-2000
Revision	A

034.0151-00-ZRef



A-A



B-B (1 : 5)

Item	QTY	Reference	Omschrijving	Description	Benennung	Opmerking
99	1	34.50151	Verpakkingsmateriaal	Packaging	Verpackung	Und. kit
17	16	90.9858	Zelfborgende Moer M8	Self Locking Nut M8	Selbstsichernde Mutter M8	
16	8	90.125A8	Sluitring M8	Washer M8	Unterlegscheibe	
15	8	90.9021A8	Carr.Ring M8	Washer M8	Unterlegscheibe	
14	8	90.603880	Slotbout M8x80	Carriage Bolt	Flachrundschraube	
13	8	90.603825	Slotbout M8x25	Carriage Bolt	Flachrundschraube	
12	2	90.98510	Zelfborgende Moer M10	Self-locking nut M10	Selbstsichernde Mutter M10	
11	4	90.734910	Carr.Ring M10 Dik	Washer M10	Unterlegscheibe	
10	2	90.93110160	Zeskantbout M10x160	Hex.bolt	Schraube	
9	4	90.705A20V	Stelring 20x32x14	Adjustment ring	Stellring	
8	2	34.015105	Holle As	Axle	Achse	
7.3	2	KR.62042RS	Lager 6204-2RS	Lager	Bearing 6204-2rs	
7.2	1	MB.086500	Velg 3.00x5 20mm kola	Felge	Rim	
7.1	1	MB.058017	Buba 110x4.00-5 4pr	Reifen	Tyre	
7	2	34.015102	Wiel 11x4.00-5 Smooth	Wheel	Rad	Gaffelwiel met lager
6	1	KR.LP11Z	Borgclip 11mm	Lock Clip 11 Mm	Sicherungsfeder	
5	1	KR.Z319075	Topstangpen Ø19x76	Pin	Vorsteckbolzen	
4	2	34.015101	Link	Link	Verbindungsstrijpe	
3	2	34.015106	Montageplaat	Fixing plate	Festschraubplatte	
2	2	34.015104	Afschraper	Scraper	Abstreifer	
1	2	34.015103	Wielgaffel	Wheel Yoke	Radgabel	
Item	QTY	Reference	Omschrijving	Description	Benennung	Opmerking

Vanmac BV
Astronaut 40
3824 MJ AMERSFOORT
the Netherlands

T +31(0)33 456 44 32
F +31(0)33 456 44 33
Info@vanmac.nl
www.vanmac.nl

Undulatiekits Verticuteerunits

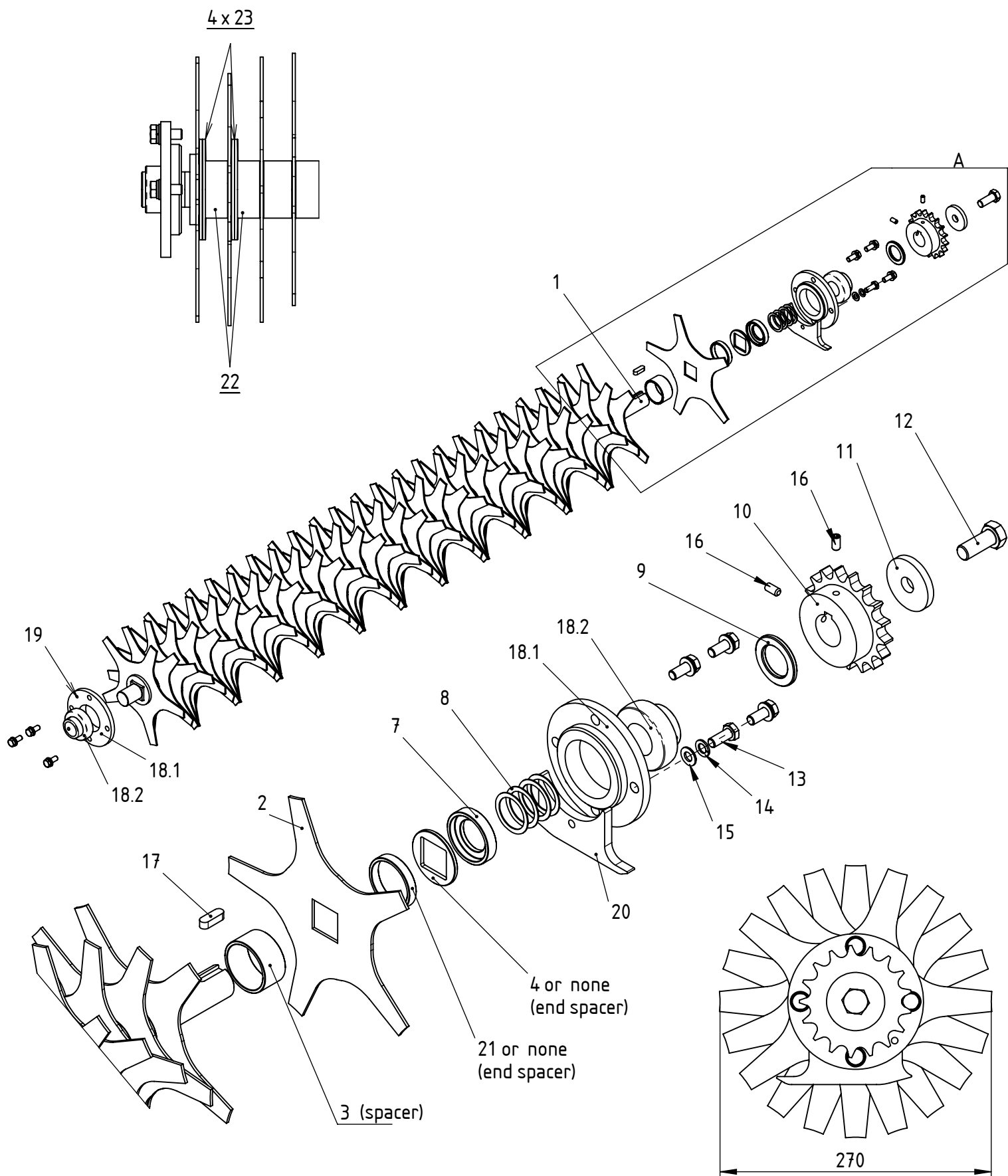
Bodenfolge Satz

Floatation Set



00.34-0151

Drawn	PCL	19-3-2010	Sheet	2/2
Revised	-	1-1-2000	Revision	A



Vanmac BV
 Astronaut 40
 3824 MJ AMERSFOORT
 the Netherlands

T +31(0)33 456 44 32
 F +31(0)33 456 44 33
 Info@vanmac.nl
 www.vanmac.nl

Verticuteerwals 1500-30-Mn3

Vertikutierwalze

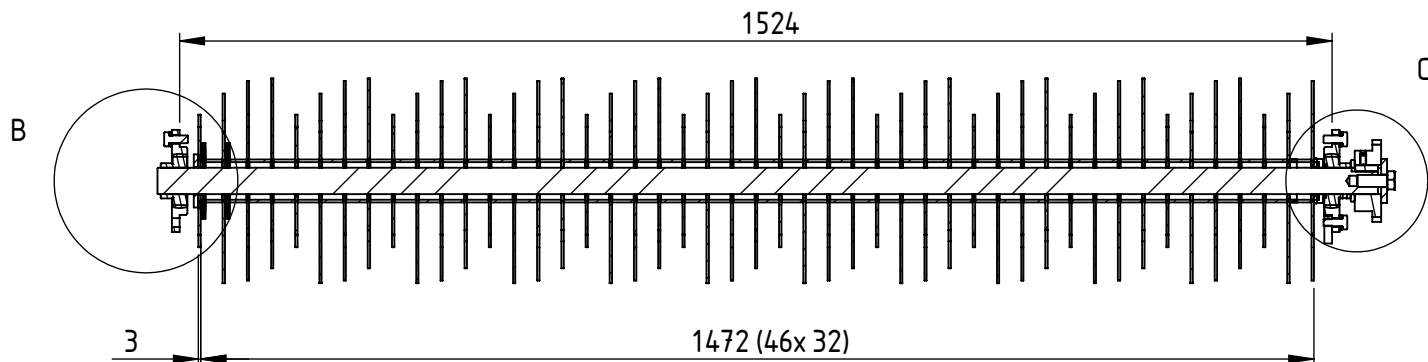
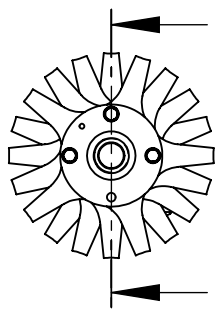
Scarifier reel



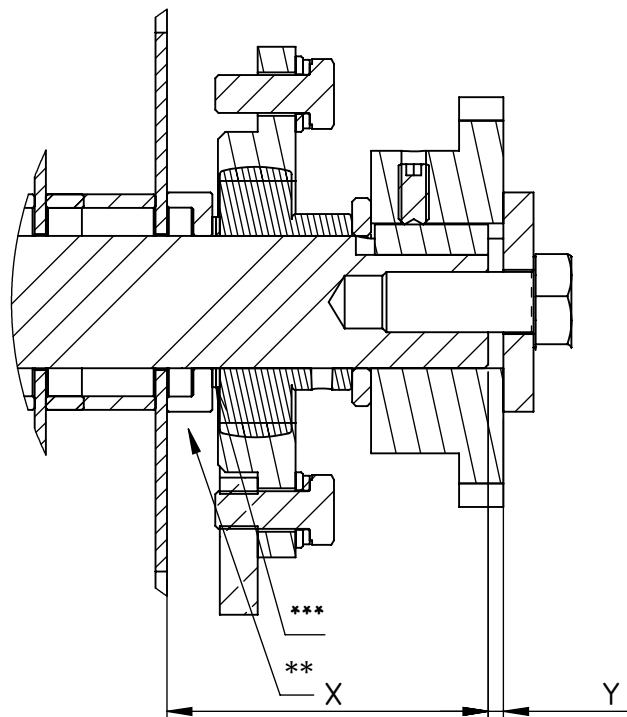
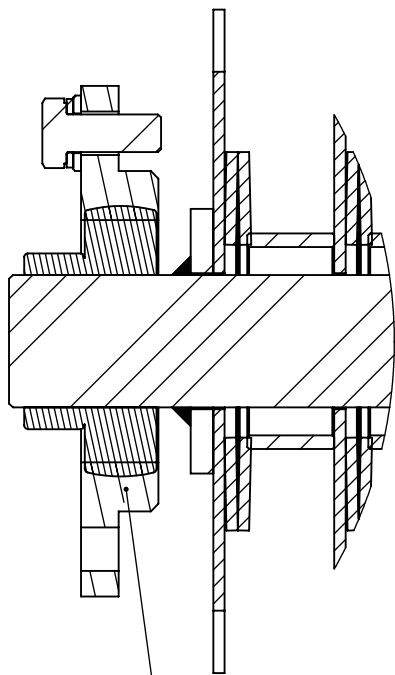
00.34-0215

Drawn TS	1-3-2010	Sheet 1/3
Revised	TS 13-10-2010	Revision B

034.0215-00 - ZRef



SECTION A-A



Lager axiaal verstelbaar

** : Pas pos. 4 toe indien maat X > 87.

*** : Kies aantal shims (pos.16) zodanig dat maat Y 1 tot 3mm bedraagt na opspannen.

Vanmac BV
Astronaut 40
3824 MJ AMERSFOORT
the Netherlands

T +31(0)33 456 44 32
F +31(0)33 456 44 33
Info@vanmac.nl
www.vanmac.nl

Verticuteerwals 1500-30-Mn3

Vertikutierwalze

Scarifier reel



00.34-0215

Drawn TS	1-3-2010	Sheet	2/3
Revised	TS 13-10-2010	Revision	B

034.0215-00 - ZRef


REVISIONS			
REV.	DESCRIPTION	DATE	APPROVED
A	Pos. 2 was 42.0110 (correctie fout in stuklijst)	13-10-10	TS
B	Schotelveren toegevoegd. Bussen hier op aangepast	5-10-2011	AVDB

23	4	15.42050	Schotelveer 100x51x3.5	Cupped Spring Washer	Tellerfeder	
22	2	42.0136	Bus Ø57x3.6 L=23	Spacer 23mm	Abstandsrohr 23mm	verticuteer
21	1	44.01004	Bus Ø57x3.6 L=10	Spacer 10mm	Abstandsrohr 10mm	verticuteer
20	1	034.0202.05	Afdichtplaat	Seal strip	Dichtprofiel	
19	2	KR.GN61180	Vetnippel M6 180°	Grease Nipple M6 180°	Schmierkopf	
18	2	90.FCE207	Lagerblok Compl. SNR	Bearing block	Lagergehäuse	
17	1	90.688510830	Inlegspie 10x8x30	Parallel Key	Passfeder	
16	2	90.916820	Inbus Stelbout M8x20	Inner hex bolt	Schraube	
15	7	90.125a10	Sluitring M10	Washer M10	Unterlegscheibe M10	
14	7	90.127b10	Veerring M10	Spring Washer M10	Federring M10	
13	7	90.9331025	Tapbout M10x25	Tap Bolt M10x25	Schraube M10x25	
12	1	90.9331640	Tapbout M16x40	Hex Bolt	Schraube	
11	1	05.02040	Schijf Ø58x8 - Ø17	Disk	Scheibe	
10	1	42.30161	Ketting Wiel 3/4" 17t Ø35 Sp	Chain Sprocket	Kettenrolle	2xtapg M8(spie+90°).
9	1	42.0152	Ring Ø55x35 - 5mm	Spacer 5mm	Abstandsrohr 5mm	
8	4	90.988354510	Opvulring 35x45x1.0	Shim	Distanzscheibe	
7	1	34.02030	Eindbus L=12	Bush	Buchse	
4	1	42.0150	Ring Ø60 Vierk 36 - 4mm	Spacer 4mm	Abstandsrohr 4mm	
3	44	42.0132	Bus Ø57x3.6 L=29	Spacer 29mm	Abstandsrohr 29mm	verticuteer
2	47	42.0111	Verticuteermes Ø270 Vierk 35	Scarifier Knife Manganese Steel	Vertikutiermesser Manganstahl	
1	1	34.02052	Verticuteeras 1.50M	Scarifier axle	Verticutierachse	
Item	QTY	Reference	Omschrijving	Description	Benennung	Opmerking

Vanmac BV
 Astronaut 40
 3824 MJ AMERSFOORT
 the Netherlands
 T +31(0)33 456 44 32
 F +31(0)33 456 44 33
 Info@vanmac.nl
 www.vanmac.nl

Verticuteerwals 1500-30-Mn3
Vertikutierwalze

Scarifier reel


00.34-0215
 Drawn TS 1-3-2010 Sheet 3/3
 Revised TS 13-10-2010 Revision B

1



Triilo 50.03000

2



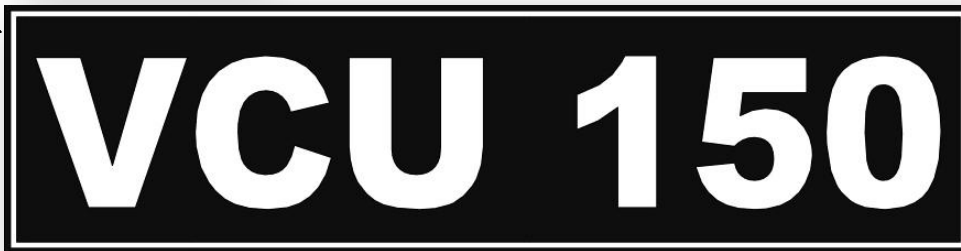
3



4



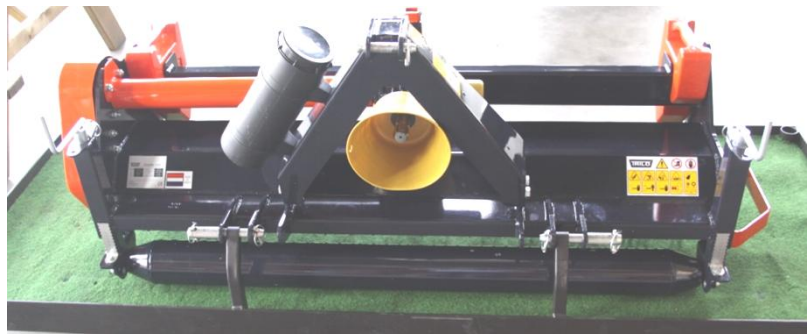
5



6

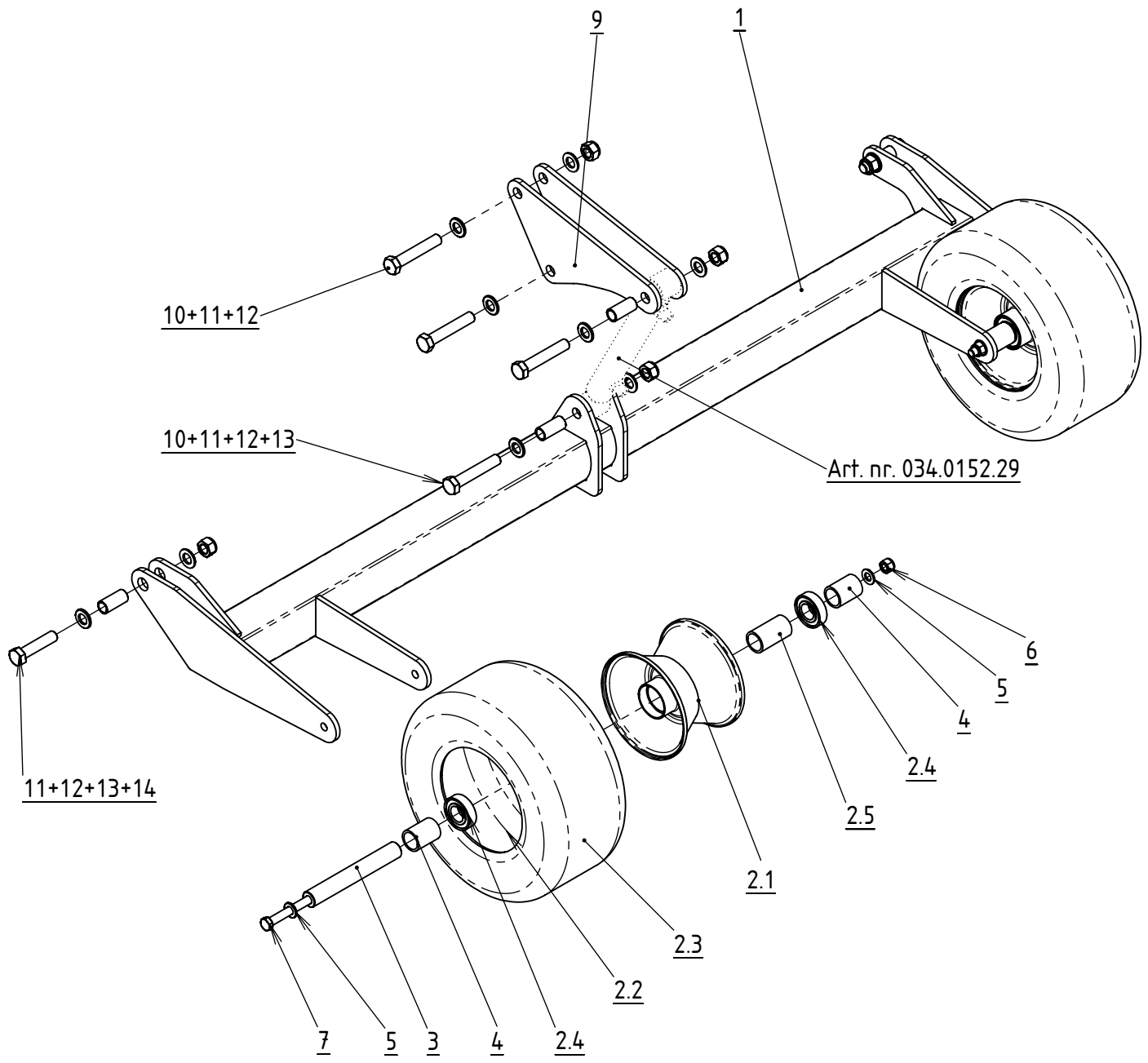


<p>Vanmac BV Astronaut 40 3824 MJ AMERSFOORT the Netherlands</p> <p>T +31(0)33 456 44 32 F +31(0)33 456 44 33 Info@vanmac.nl www.vanmac.nl</p>	<p>Stickerset VCU150 Universeel</p> <p>-</p>			
	<p>Aufklebersatz</p> <p>-</p>		<p>Decal set</p> <p>-</p>	
			<p>00.50-2001</p>	
		<p>Drawn PCL 01-01-10</p>	<p>Sheet 1/2</p>	
		<p>Revised PCL 23-03-10</p>	<p>Revision A</p>	



7	1	15.50001	Typeplaat algemeen	Identification Plate	Kennschild	sticker 100 X 100
6	1	70.50020	Sticker - TRILO (m)	Decal TRILO {m}	Aufkleber TRILO {M}	Beeldmerk Zwart
5	1	50.20002	Sticker VCU150	Decal VCU150	Aufkleber VCU150	ZW/W 75x310mm
4	2	30.50020	Sticker - Danger Keep H&f Away	Decal - Danger Keep H&F Away	Aufkleber Danger Keep H&F Away	Pictogram Gezw
3	4	45.50060	Sticker - Hier Smeren	Decal "Greese Gun"	Aufkleber	Pictogram Geel/
2	1	50.01003	STICKER 540 rpm	Decal 540 RPM	Aufkleber 540 Umdr/min	58x103mm
1	1	50.03000	Instructiesticker borstelmonde	Decal Brush Scarifier items	Aufkleber	175x100mm
Pos	QTY	Materiaal	Omschrijving NED	Omschrijving ENG	Omschrijving DUI	OMS2

Vanmac BV Astronaut 40 3824 MJ AMERSFOORT the Netherlands T +31(0)33 456 44 32 F +31(0)33 456 44 33 Info@vanmac.nl www.vanmac.nl	Stickerset VCU150 Universeel		TRILO		
	Aufklebersatz		Decal set		
	-		-		
			00.50-2001		
		Drawn	PCL 01-01-10	Sheet	2/2
		Revised	PCL 23-03-10	Revision	A



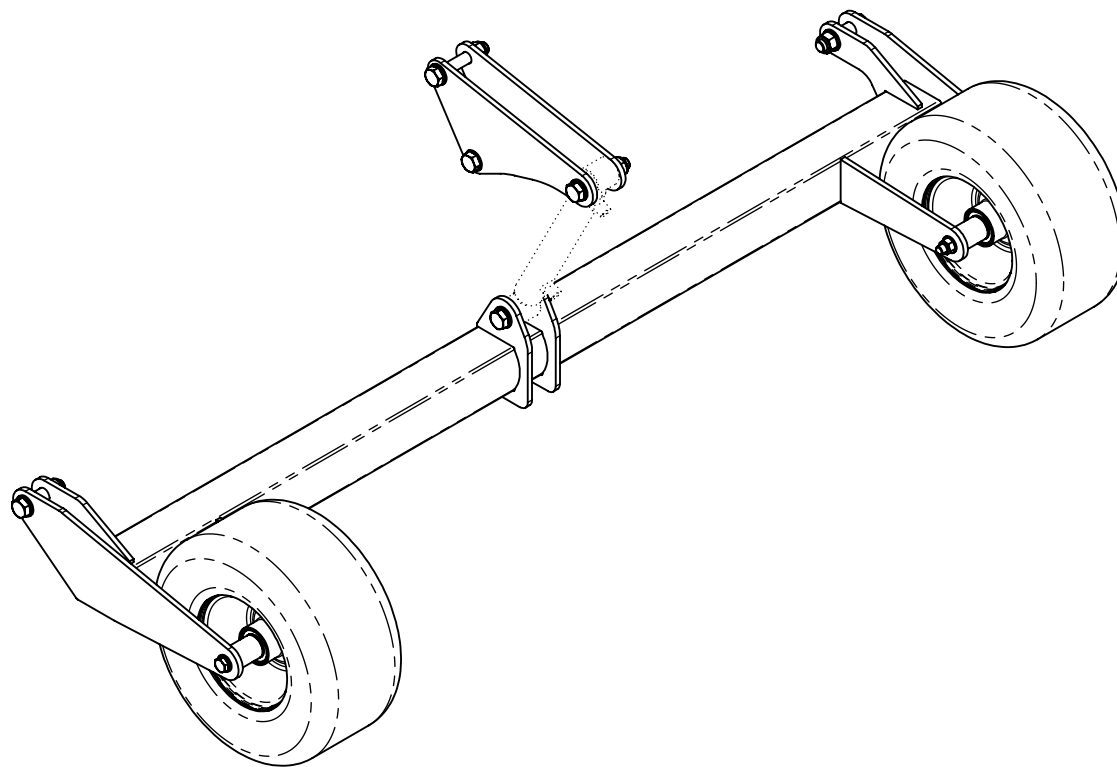
Vanmac BV
 Astronaut 40
 3824 MJ AMERSFOORT
 the Netherlands
 T +31(0)33 456 44 32
 F +31(0)33 456 44 33
 Info@vanmac.nl
 www.vanmac.nl

Wielstel

Radsatz

Wheel Set

TRILO	
034.0152	
Drawn AVDB 13-1-2011	Sheet 1/2
Revised - 1-1-2000	Revision -



14	2	90.9311670	Zeskantbout M16x70	Hex.Bolt	Schraube	
13	4	034.0152.21	Buis	Pipe	Rohr	
12	6	90.98516	Zelfborgende Moer M16	Self-locking Nut M16	Selbstsichernde Mutter	
11	12	90.125A16	Sluitring M16	Washer M16	Unterlegscheibe	
10	4	90.9311690	Zeskantbout M16x90	Hex.Bolt M16x90	Schraube	
9	2	034.0152.18	Plaat	Plate	Blech	
7	2	90.93112220	Zeskantbout M12x220	Hex.bolt	Schraube	
6	2	90.98512	Zelfborgende Moer M12	Self-locking Nut	Selbstsichernde Mutter	
5	4	90.125A12	Sluitring M12	Washer M12	Unterlegscheibe	
4	4	19.11032	Bus Ø33.7x3.25 L=45	Bush	Buchse	
3	2	003.0701.01	Wielas 25mm L=180	Axle	Radachse	
2.5	1	19.11033	Bus Ø33.7x3.25 L=59	Buchse	Bush	
2.4	2	KR.62052RS	Lager 6205-2RS	Lager	Bearing 6205-2rs	
2.3	1	AB.B0606034	Buitenband 13x6.50-6/4pr Blok	Reifen	Tyre	
2.2	1	AB.T060600	Binnenband 13x6.50-6tr13	Luftschlauch	Inner Tube	
2.1	1	AB.W060401	Velg 4.50x6/kola25	Felge 4.50x6/kola25	Rim 4.50x6/kola25	
2	2	07.05011	Gaffelwiel+band 13x6.50-6/4pr	Wheel 13x6.50-6/4pr complete f	Gabel	Lijnprofiel
1	1	034.0152.31	Wielstel LSM	Wheel set	Radsatz	
Item	QTY	Reference	Omschrijving	Description	Benennung	Opmerking

Vanmac BV
Astronaut 40
3824 MJ AMERSFOORT
the Netherlands

T +31(0)33 456 44 32
F +31(0)33 456 44 33
Info@vanmac.nl
www.vanmac.nl

Wielstel

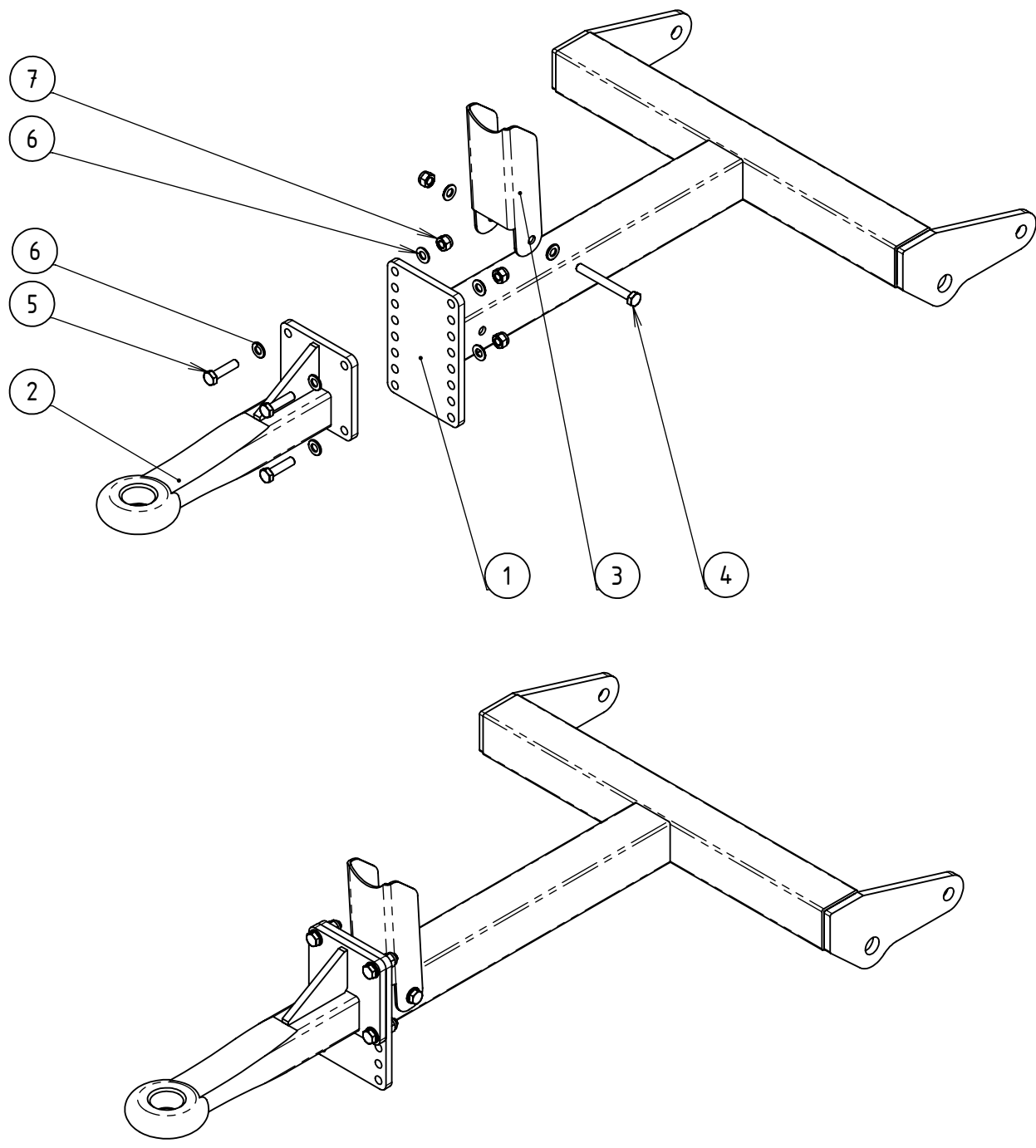
Radsatz

Wheel Set



034.0152

Drawn AVDB	13-1-2011	Sheet	2/2
Revised	-	Revision	-
	1-1-2000		

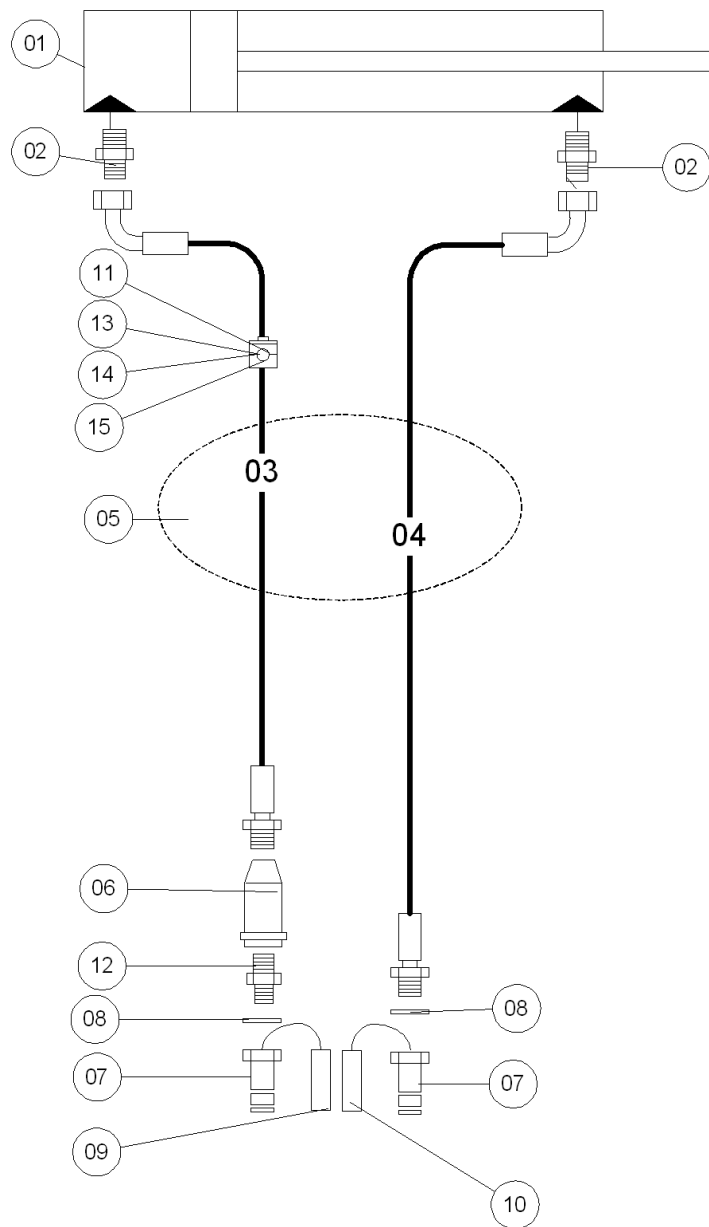


7	5	90.98510	Zelfborgende Moer M10	Self-locking nut M10	Selbstsichernde Mutter M10	
6	10	90.125A10	Sluitring M10	Washer M10	Unterlegscheibe M10	
5	4	90.9331040	Tapbout M10x40	Hex Bolt	Schraube	
4	1	90.9311090	Zeskantbout M10x90	Hex Bolt	Schraube	
3	1	034.0152.39	Steun affakas	Pto support	Zapfwellehalter	
2	1	034.0153.07	Trekhaak Vast Oog	Hitch	Zugdeichsel	
1	1	034.0153.03	Trekboom	Drawbar	Zugdeichsel	
Item	QTY	Reference	Omschrijving	Description	Benennung	Opmerking

Vanmac BV
 Astronaut 40
 3824 MJ AMERSFOORT
 the Netherlands
 T +31(0)33 456 44 32
 F +31(0)33 456 44 33
 Info@vanmac.nl
 www.vanmac.nl

Trekboom Compleet	
Zugdeichsel Völlig	Drawbar Complete

TRILO		
034.0153		
Drawn AVDB	4-5-2011	Sheet 1/1
Revised -	1-1-2000	Revision -

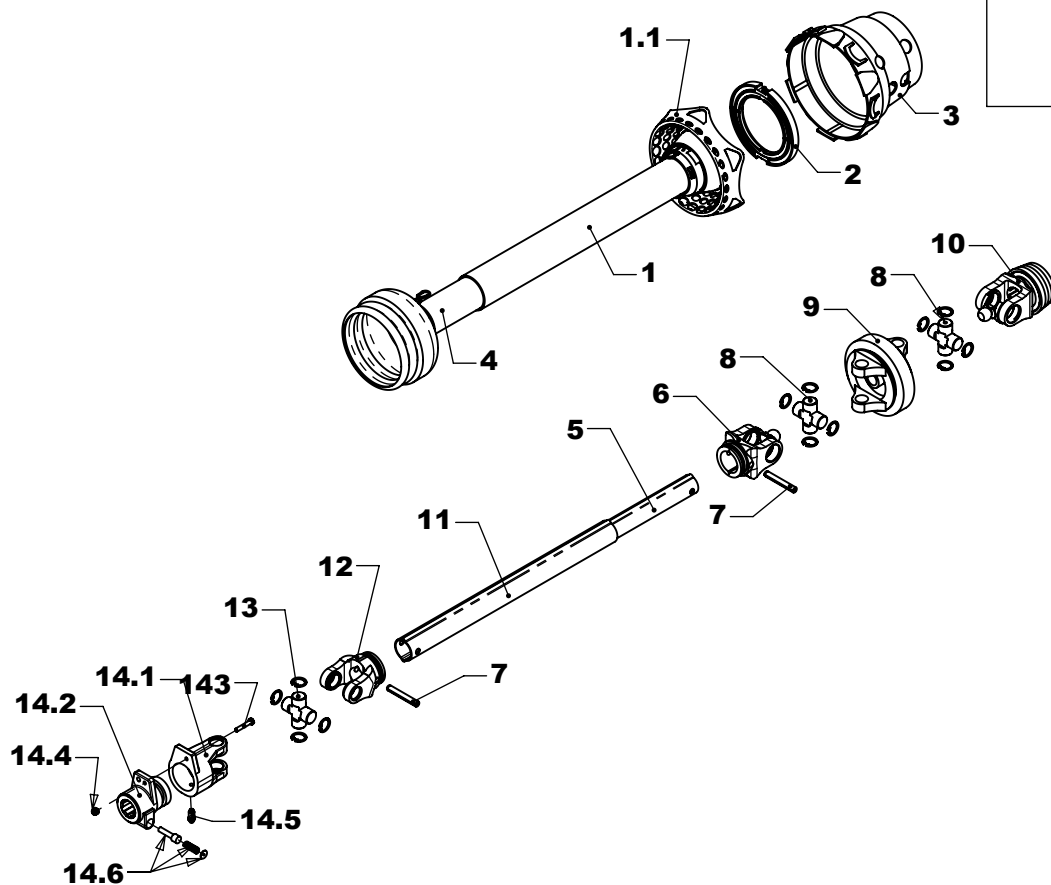


15	1	90.931635	Zeskantbout M6x35	Hex.Bolt	Schraube	
14	2	90.125A6	Sluitring M6	Washer M6	Unterlegscheibe	
13	1	90.9856	Zelfborgende Moer M6	Lock Nut M6	Sicherungsmutter M6	
12	1	KR.VNB0804	Nippel 1/2 X 1/4 BSP	Nipple 1/2 X 1/4 BSP	Nippel 1/2 X 1/4 BSP	
11	2	FL.0806226	Pijpklem Lng 212.7/12.7 Pa	Clamp	Klemmstück	
10	1	WF.TF12R	Stofkap 1/2" Rood	Hydr.Cover 1/2" Red	Staubschutzkappe	
9	1	WF.TF12G	Stofkap 1/2" Groen	Hydr.Cover 1/2" Green	Staubschutzkappe	
8	2	KR.TT08	USIT-ring 1/2"	Seal ring	Dichtungsring	
7	2	KR.20108110	Snelkoppelinstecker 1/2"	Plug 1/2"	Schnellkupplung	
6	1	KR.FBMB03001	Smoring 1/4"	Throttle valve	Drosselventil	FPMB 03 S 04 D
5	1	40.25050	beschermkous L 2000	Protective Sleeve	Schützüberzug	grootte 2 (D33)
4	1	034.2400.02	Slang NST6 L= 2520	Hydraulic hose	Hydraulischlauch	PN 6-8 PGL0 6-18-9
3	1	034.2400.01	Slang NST6 L= 2250	Hydraulic hose	Hydraulischlauch	PN 6-8 PGL0 6-18-9
2	2	KR.GES12LR14	Rechte Inschroefkoppeling BSP	Screw-in joint	Einschraubenippel	
1	1	034.0152.29	Cilinder D20-40-170/321	Ram	Zilinder	
Item	QTY	Reference	Omschrijving	Description	Benennung	Opmerking

Vanmac BV
 Astronaut 40
 3824 MJ AMERSFOORT
 the Netherlands
 T +31(0)33 456 44 32
 F +31(0)33 456 44 33
 Info@vanmac.nl
 www.vanmac.nl

Hydrauliek getrokken VCU	
Hydraulische Anlage VCU	Hydraulic Schematic VCU

TRILO	
034.2400	
Drawn AVDB 14-1-2011	Sheet 1/1
Revised - 1-1-2000	Revision -



14.6	1	KR.AG101	Drukstift Aftakas	Druckfeder	Quick Disconnect Pin	
14.5	1	KR.6005100	Vetnippel Borgstift M10kb61/20	Schmierkopf	Grease Nipple M10	
14.4	1	90.9858	Zelfborgende Moer M8	Selbstsichernde Mutter M8	Self Locking Nut M8	
14.3	1	90.931840109	Zeskantbout M8x40 10.9	Bolzen	Bolt M8x40 10.9	
14.2	1	KR.571709	Naaf K61/1 1-3/8 M6/8 R42	Nabe	Hub	
14.1	1	KR.206702	Gaffel breekbout M8 R42 W2200	Gabel	Yoke	
14	1	KR.5711312	Breekboutkopp. W2200 KB61/1	Shear bolt clutch	Scherbolzenkupplung	W2200
13	1	KR.200000	Kruisstuk	Joint Cross	Kreuzgarnitur	W2200
12	1	KR.201200	Gaffel voor buis 1	Yoke	Gabel	W2200
11	1	KR.751500	Profielbuis 1 2900 mm	Profiled Tube	Profilrohr	48 x 41 x 3
10	1	KR.2083810	Gaffel QS 1-3/8-6dlg grooth.	Yoke	Gabel	W2280
9	1	KR.209105	Dubbelgaffel groothoek 80°	Flanged Yoke	Flanschgabel	W2280
8	2	KR.200600	Kruisstuk	Joint Cross	Kreuzgarnitur	W2280
7	2	KR.14811070	Holspie 10x70	Tightening pin	Spannhülse	
6	1	KR.2011810	Groothoekgaffel OV	Yoke	Gabel	W2280
5	1	KR.751100	Profielbuis OV 2900 mm	Profiled Tube	Profilrohr	40 x 34,5 x 4
4	1	KR.SD151000I	Afscherming 1000 bi-buis	Guard	Schutzhaube	W2200 / W2300
3	1	KR.850100	Beschermkap SD15-2280 FLEXO	Guard	Schutzhaube	W2280
2	1	KR.828312	Glijring SD05/15	Sliding Ring	Gleitring	W2280
1.1	1	KR.851562	Beschermkap Flexo Element	Flexo Element	Flexo Element	
1	1	IN.01-030139	Halve afsch. Groothoek FLEXO A	Wide Angle	Weitwinkel	W2280 / W2380
Item	QTY	Reference	Omschrijving	Description	Benennung	Opmerking

Trilo BV
 Astronaut 40
 3824 MJ AMERSFOORT
 the Netherlands
 Tel +31(0)33 456 44 32
 Fax +31(0)33 456 44 33
 E-mail: Info@trilo.com
 www.trilo.com

Aftakas WWE2280-1010-K61/1
Met Breekbout M8x40 10.9

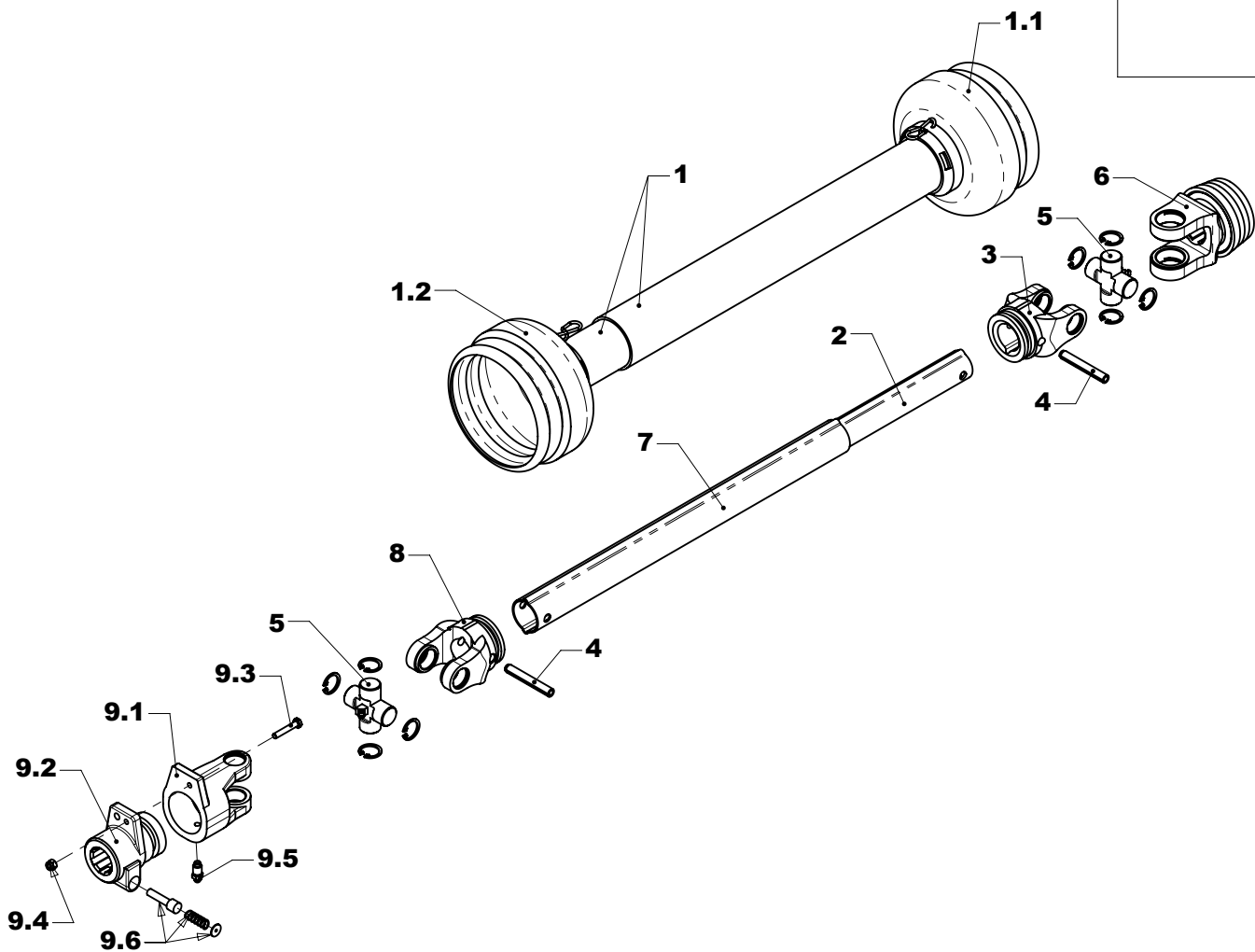


Gelenkwelle

Pto drive shaft

IN.01-030128

Sheet: 1/1 DWG1001.0301-D 28



9.6	1	KR.AG101	Drukstift Aftakas	Druckfeder	Quick Disconnect Pin	
9.5	1	KR.6005100	Vetnippel Borgstift M10kb61/20	Schmierkopf	Grease Nipple M10	
9.4	1	90.9858	Zelfborgende Moer M8	Selbstsichernde Mutter M8	Self Locking Nut M8	
9.3	1	90.931840109	Zeskantbout M8x40 10.9	Bolzen	Bolt M8x40 10.9	
9.2	1	KR.571709	Naaf K61/1 1-3/8 M6/8 R42	Nabe	Hub	
9.1	1	KR.206702	Gaffel breekbout M8 R42 W2200	Gabel	Yoke	
9	1	KR.5711312	Breekboutkopp. W2200 KB61/1	Shear bolt clutch	Scherbolzenkupplung	W2200
8	1	KR.201200	Gaffel voor buis 1	Yoke	Gabel	W2200
7	1	KR.751500	Profielbuis 1 2900 mm	Profiled Tube	Profilrohr	48 x 41 x 3
6	2	KR.208300	Gaffel QS 1-3/8-6dlg	Yoke	Gabel	W2200
5	2	KR.200000	Kruisstuk	Joint Cross	Kreuzgarnitur	W2200
4	2	KR.1481850	Holspie 8x50	Tightening Pin	Spannhülse	
3	1	KR.201100	Gaffel voor buis 0v	Yoke	Gabel	W2200
2	1	KR.751100	Profielbuis 0V 2900 mm	Profiled Tube	Profilrohr	40 x 34,5 x 4
1.2	1	KR.SD151000I	Afscherming 1000 bi-buis	Schutzhaube	Guard	
1.1	1	KR.SD151000A	Afscherming 1000 bu-buis	Schutzhaube	Guard	
1	1	KR.SD151000	Afscherming Cpl.	Guard	Gelenkwelgeschutzrohr	W2200 / W2300
Item	QTY	Reference	Omschrijving	Description	Benennung	Opmerking

Trilo BV
Astronaut 40
3824 MJ AMERSFOORT
the Netherlands

Aftakas W2200-710-K61/1
Met Breekboutgaffel M8x40 10.9



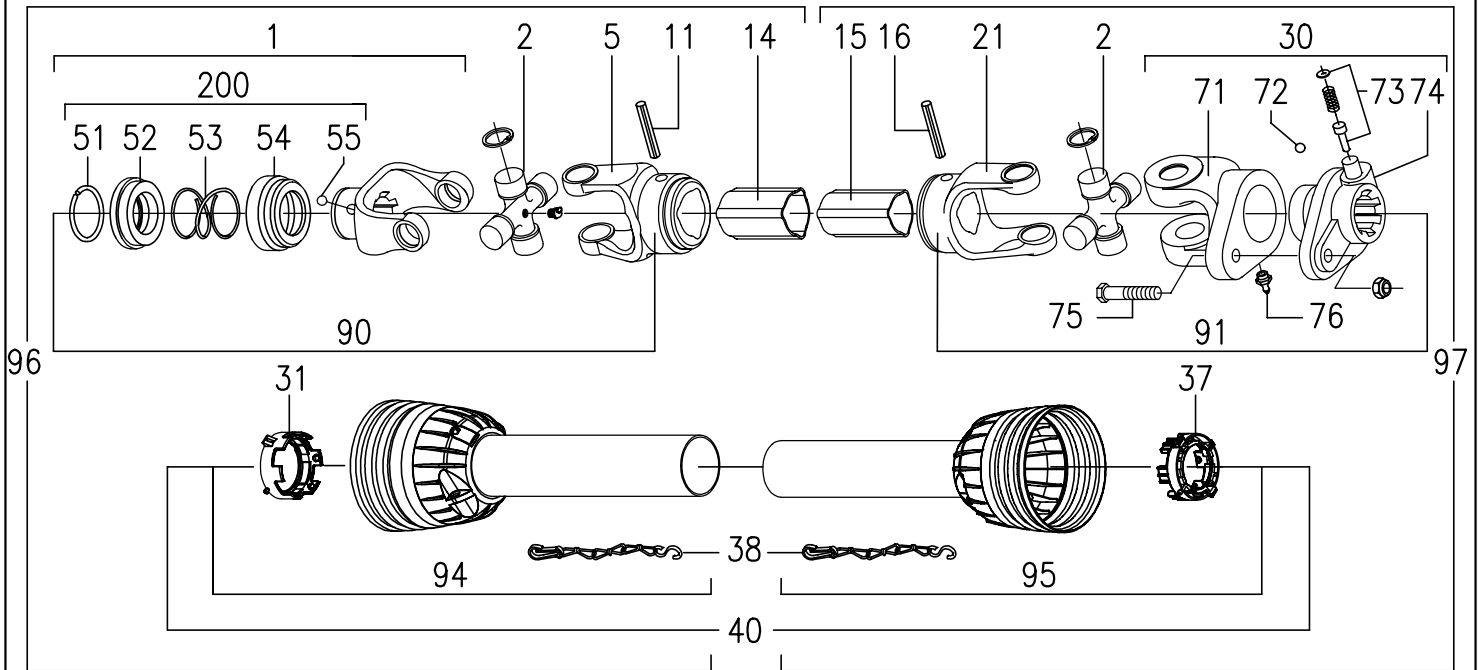
SG400 - SG450 1.50 Brush

PTO Shear Bolt Clutch

IN.01-03016

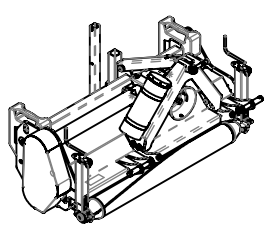
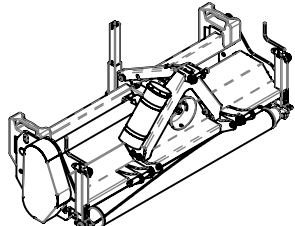
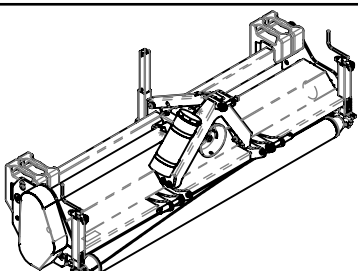
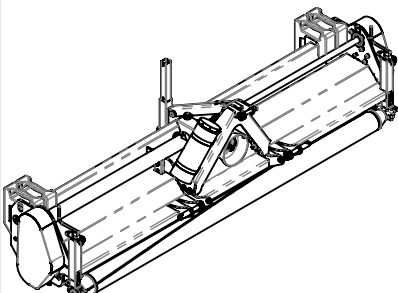
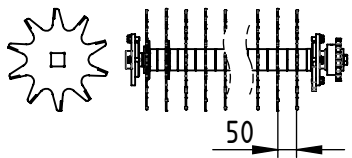
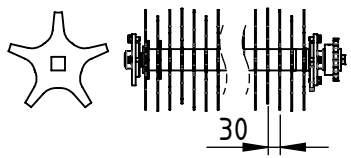
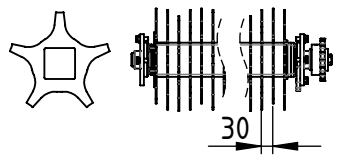
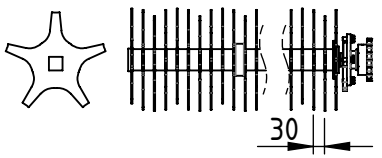
Tel +31(0)33 456 44 32
Fax +31(0)33 456 44 33
E-mail: Info@trilo.com
www.trilo.com

Sheet: 1/1 Dwg: I001.0301-D 6

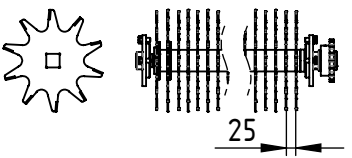
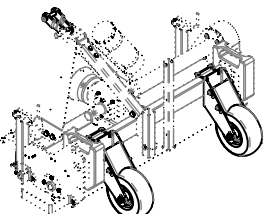
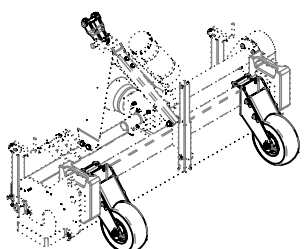
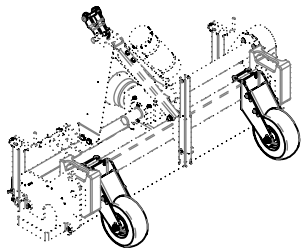
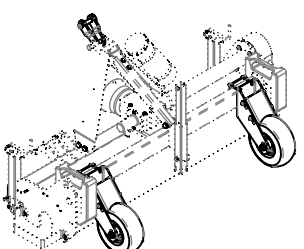
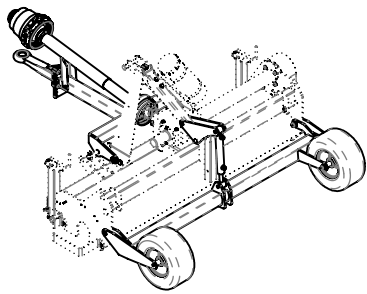



Pos.	Description	Q.ty	Code	Pos.
1	Complete collar yoke C12 (1 3/8" z.6)	1	141.022.324	1
2	Cross journal set	2	180.012.130	2
5	Outer yoke	1	151.012.003	5
11	Roll pin for outer tube	1	190.000.012	11
14	Outer tube	1	152.120.209.0730	14
15	Inner tube	1	153.120.109	15
16	Roll pin for inner tube	1	190.000.011	16
21	Inner yoke	1	151.012.002	21
30	Complete shear bolt B02 (48xM8)	1	143.220.004	30
31	Guard retaining collar for outer tube	1	180.012.380	31
37	Guard retaining collar for inner tube	1	180.012.381	37
38	Safety chains	2	180.016.790	38
40	Complete guard with instruction manual	1	142.320.009.7250	40
51	Outer circlip	1	190.000.451	51
52	Sliding sleeve collar	1	151.016.486	52
53	Spring	1	180.016.487	53
54	Fixed sleeve	1	180.016.483	54
55	Ball $\phi 1/2"$	3	190.000.078	55
71	Yoke for B02 (48xM8)	1	151.012.102	71
72	Ball $\phi 7/32"$	24	190.000.024	72
73	Push pin set 1 3/8"	1	166.026.004	73
74	Hub B02 (48xM8) - (1 3/8" z.6)	1	141.022.103	74
75	Bolt M8x45 & nut	6	165.000.508	75
76	Grease fitting M8x1	1	190.000.020	76
90	U Joint for outer tube	1	121.022.716.10	90
91	U Joint for inner tube	1	121.022.799.10	91
94	Half female guard	1	142.326.009.7250	94
95	Half male guard	1	142.327.009.7250	95
96	Half female shaft with guarding	1	123.520.028.10	96
97	Half male shaft with guarding	1	123.620.132.10	97
100	Instruction manual	1	190.000.692	100
200	Kit collar 1 3/8"	1	165.000.628	200

STD

			
			
VCU 120	VCU 150	VCU 200	VCU 240

OPTIONS

			
00.34-0203			
			
00.34-0151	00.34-0151	00.34-0151	00.34-0151
			
	BC.34-0004		

<p>Vanmac BV Astronaut 40 3824 MJ AMERSFOORT the Netherlands</p> <p>T +31(0)33 456 44 32 F +31(0)33 456 44 33 Info@vanmac.nl www.vanmac.nl</p>	<p>Overzicht VCU</p> <p>-</p>	<p>Übersicht VCU</p> <p>-</p>		
	<p>Overview VCU</p> <p>-</p>		<p>Drawn AVDB 27-5-2011</p> <p>Revised - 1-1-2000</p>	<p>Sheet 1/1</p> <p>Revision -</p>