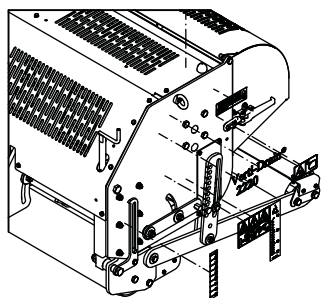
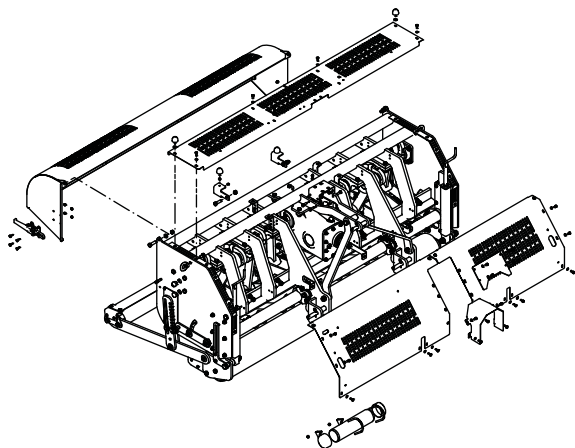


Parts manual

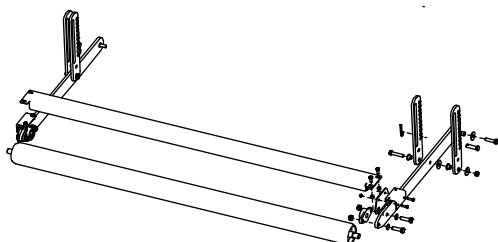




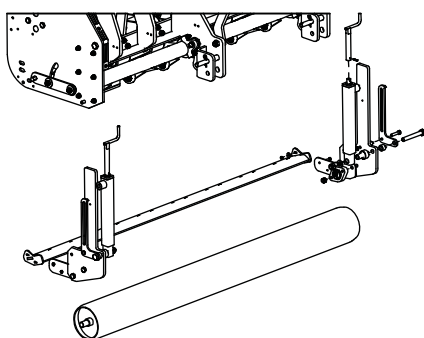
Page 02: Decalls



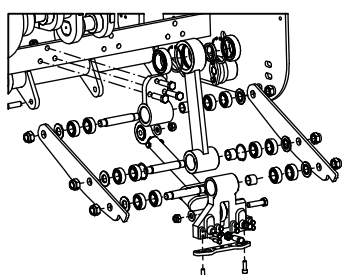
Page 03: Covers



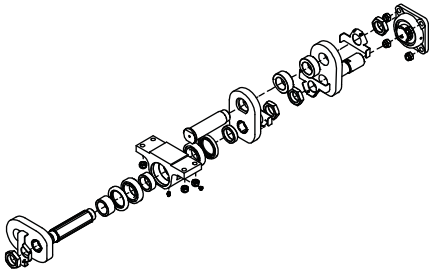
Page 04: Rear roller



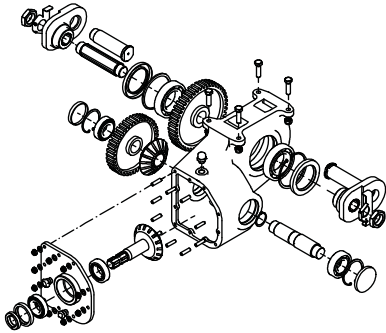
Page 05: Front roller



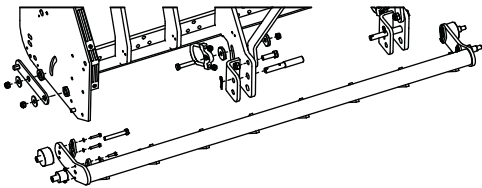
Page 06: Element



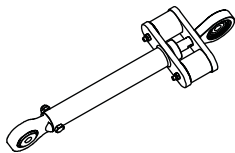
Page 07: Crankshaft



Page 08: Gearbox



Page 09: Central Bar



Page 10: Drawrod

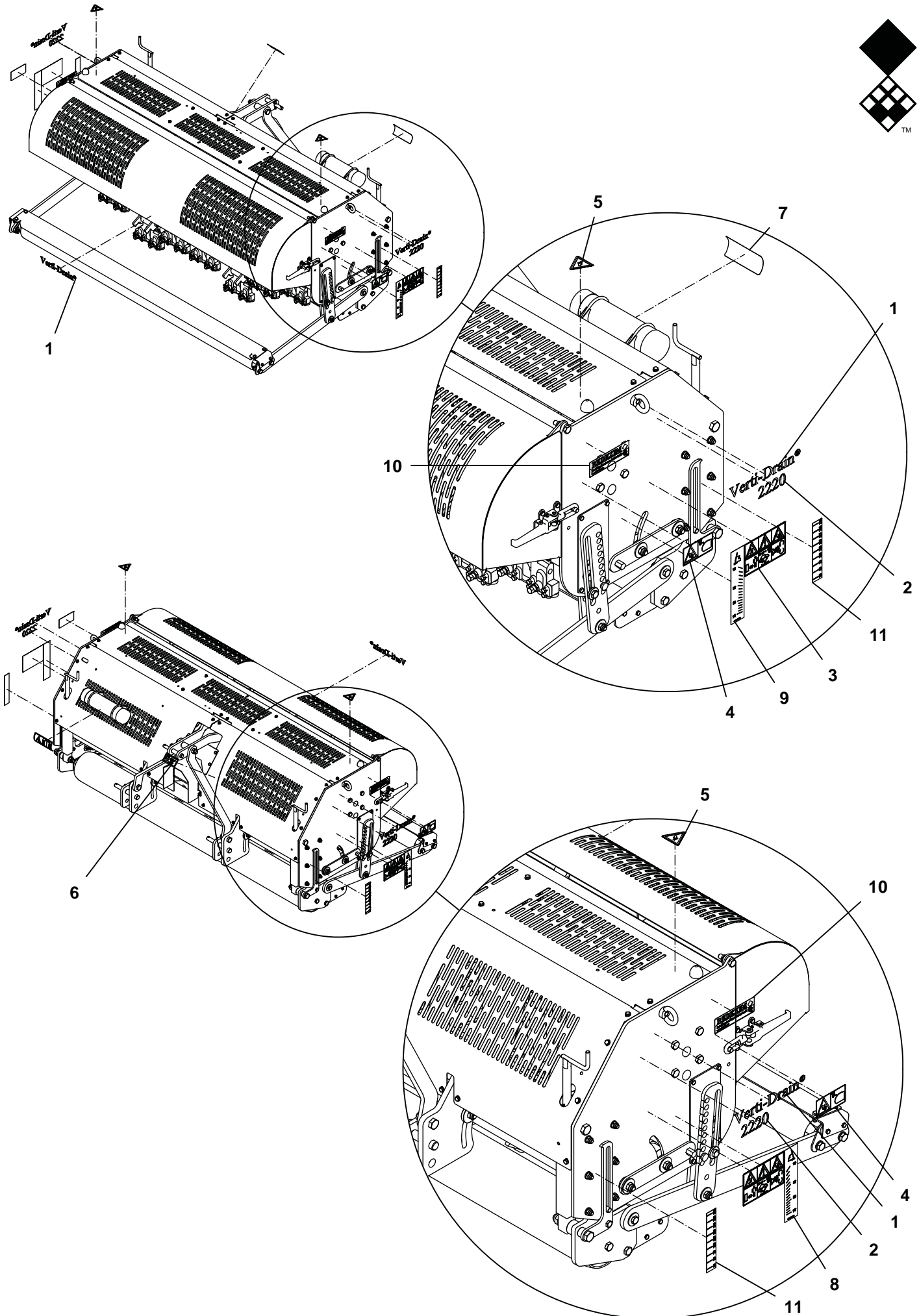
Page 11: Option Hydraulic height adjustment

Page 12: Option Windrow kit

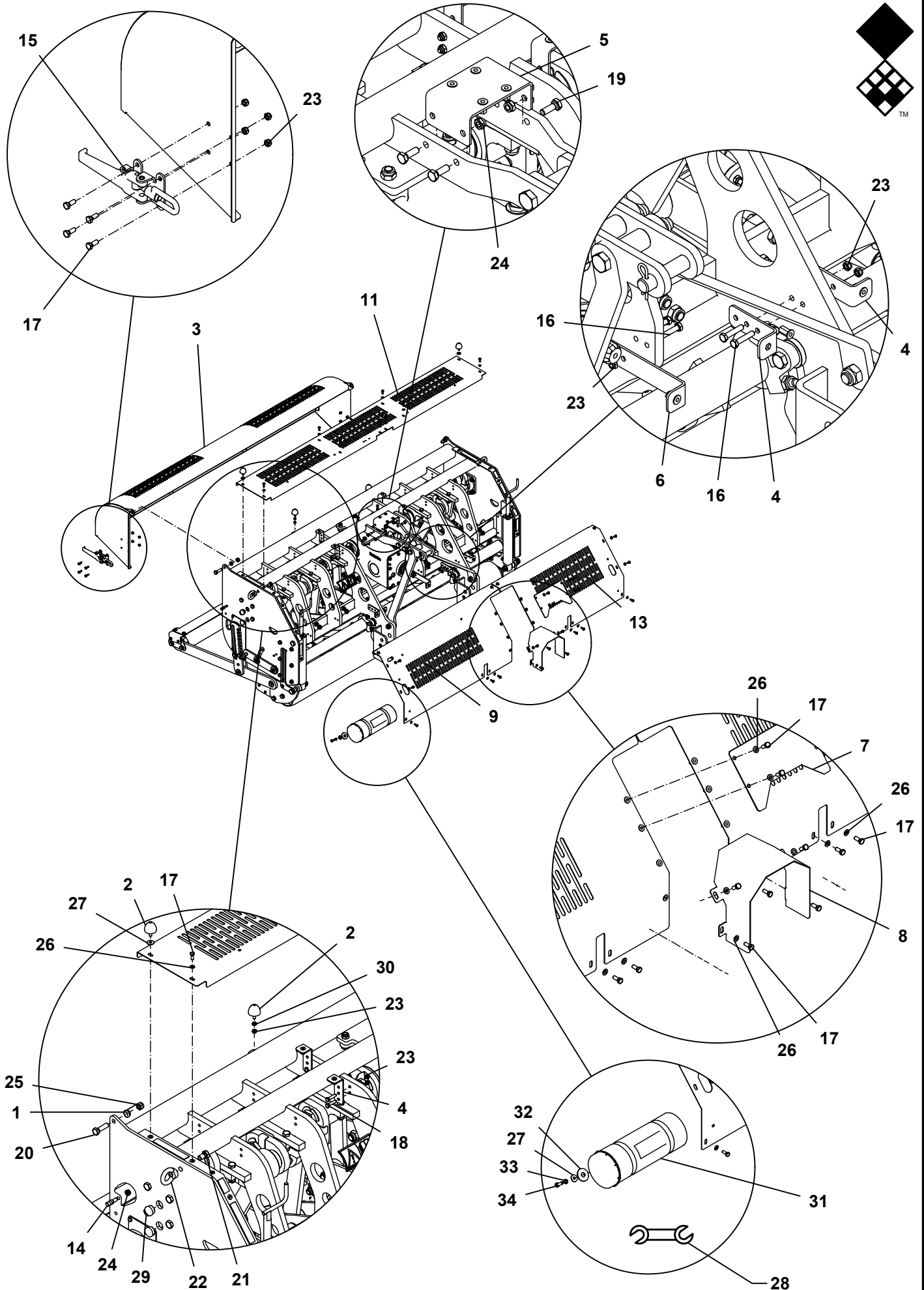
Page 13: Tines

Page 14: Adapters and turf hold down kits

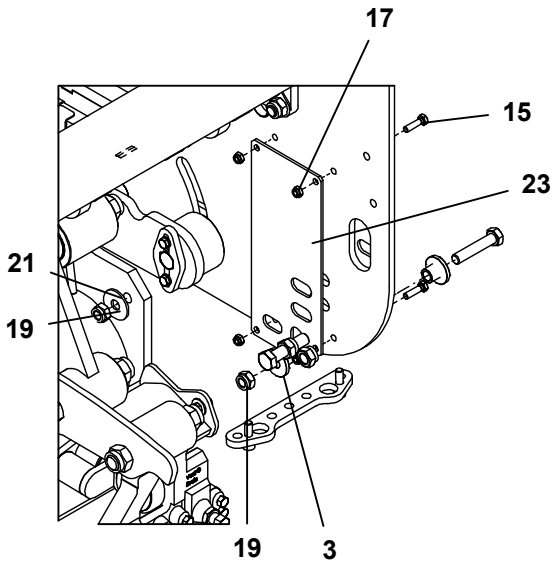
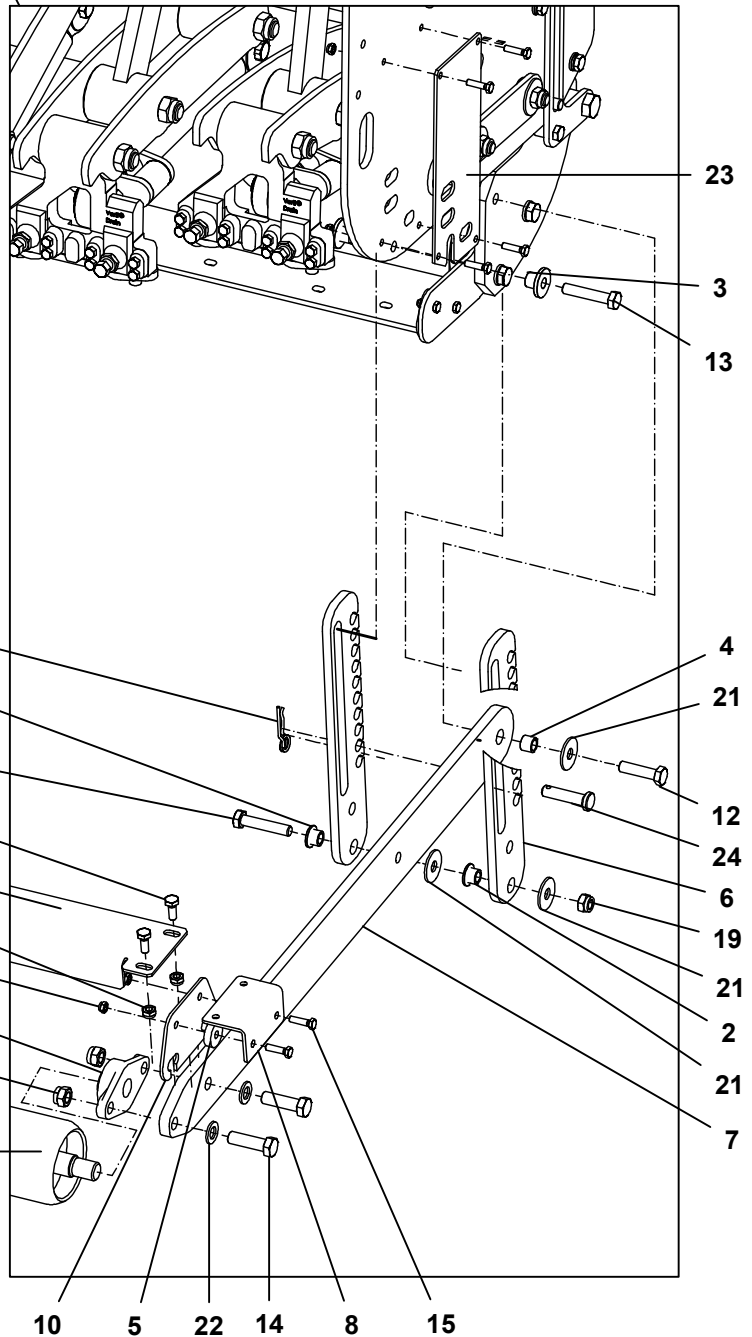
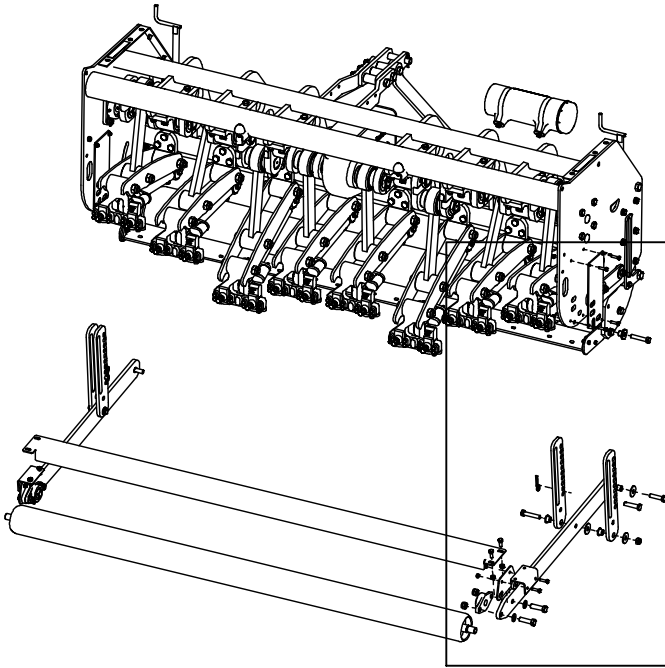
Page 15: PTO



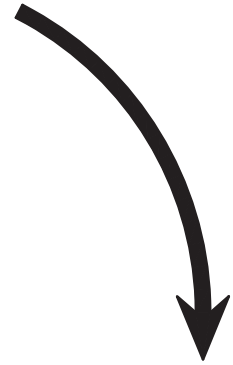
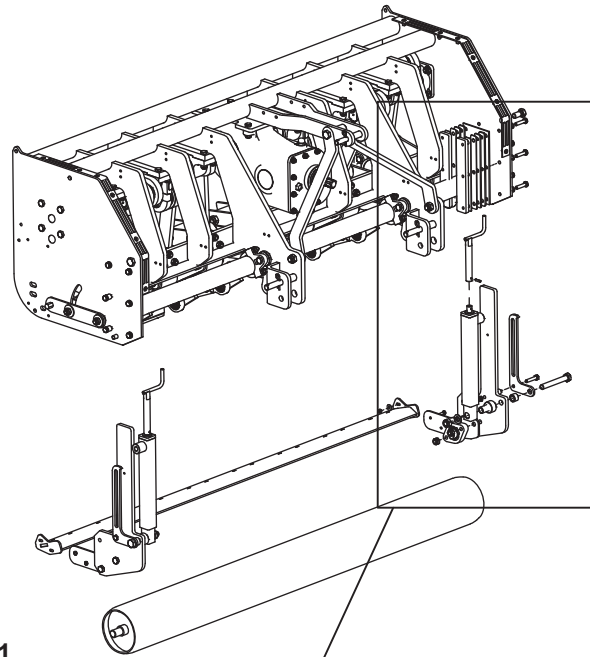
	PART #	DESCRIPTION	REMARKS	QUA 2216	QUA 2220
1	911.260.402	Label Verti-Drain		3	3
2	911.260.200	Label 2220		0	2
	911.260.202	Label 2216		2	0
3	911.280.402	Safety decall VD		2	2
4	911.280.404	Close Cover		2	2
5	900.280.404	Cut off fingers		2	2
6	900.260.422	Decall PTO 350 540		1	1
7	900.280.402	Safety decall manual		1	1
8	911.340.420	Decall angle setting HSVD-7120 left		1	1
9	911.340.418	Decall angle setting HSVD-7120 right		1	1
10	900.260.403	Label logo		2	2
11	911.340.000	Decall height indicator 225		2	2



	PART #	DESCRIPTION	REMARKS	QUA 2216	QUA 2220
1	404.140.100	Distance Bush		2	2
2	446.080.550	Rubber stop		4	4
3	456.213.033	Weld Assy Cover		0	1
	456.158.037	Weld Assy Cover		1	0
4	464.040.850	Cover bracket		8	8
5	464.041.450	Bracket cover		1	1
6	464.041.800	Cover bracket		1	1
7	468.022.602	Protection cover		1	1
8	468.025.700	Cover plate PTO		1	1
9	468.029.112	Front cover right		0	1
10	468.028.700	Front cover right		1	0
11	468.029.214	Top cover		0	1
12	468.029.151	Top cover		1	0
13	468.029.700	Front cover left		0	1
	468.027.100	Front cover left		1	0
14	472.140.450	Clamp part		2	2
15	590.342.700	Clamp		2	2
16	802.080.400	Bolt DIN 931-1 - M8 x 40		6	6
17	804.080.200	Bolt DIN 933 - M8 x 20		24	24
18	804.080.350	Bolt DIN 933 - M8 x 35		8	8
19	804.100.300	Bolt DIN 933 - M10 x 30		4	4
20	804.140.500	Bolt DIN 933 - M14 x 50		2	2
21	804.160.250	Bolt DIN 933 - M16 x 25		2	2
22	822.160.360	Eye Nut DIN 582 - M16		2	2
23	830.080.080	SL Nut DIN 985 - M8		20	20
24	830.100.100	SL Nut DIN 985 - M10		6	6
25	830.140.140	SL Nut DIN 985 - M14		2	2
26	864.080.030	Washer DIN 125 - M8		32	32
27	864.080.031	Large Washer DIN 9021 - 8,4		4	4
28	468.083.060	Toolset		1	1
29	892.300.170	Plastic stop Ø30		4	4
30	826.080.080	Nut DIN 934 - M8		2	2
31	444.803.100	Toolbox complete		1	1
32	864.140.031	Large Washer DIN 9021 - 15		2	2
33	866.080.020	Spring washer DIN 127 - A 8		2	2
34	804.080.300	Bolt DIN 933 - M8 x 30		2	2

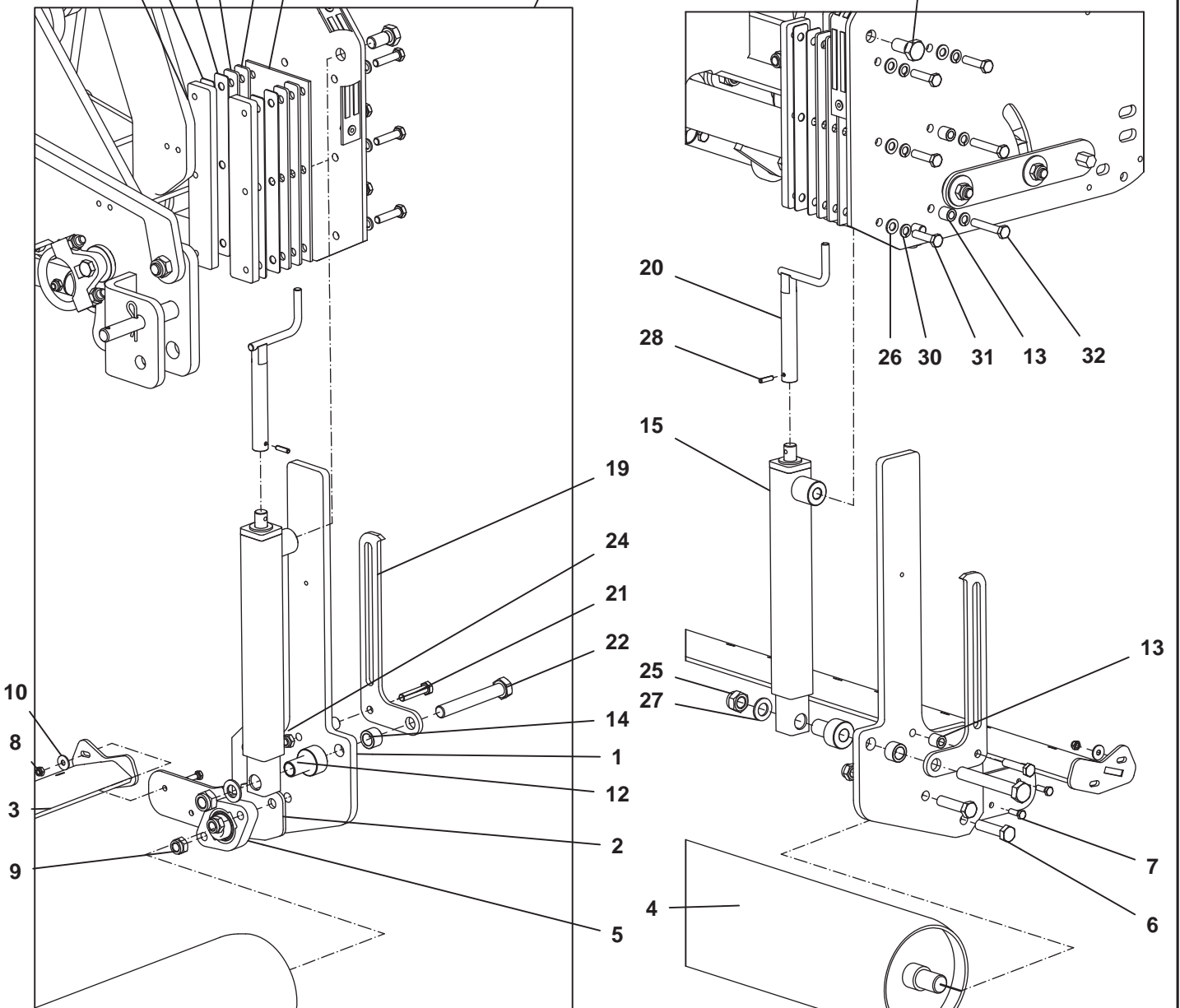


	PART #	DESCRIPTION	REMARKS	QUA 2216	QUA 2220
1	742.250.360	Bearing UCFL 205		2	2
2	404.140.150	Distance Bush Ø20/Ø14, L= 15		4	4
3	404.140.160	Distance Bush Ø20/Ø14, L= 16		4	4
4	406.150.320	Distance Bush Ø20/Ø14.5, L= 32		2	2
5	446.100.100	Rubber ring		4	4
6	464.123.752	Rear Roller Support		4	4
7	464.159.110	Arm Rear Roller	Length=1015mm (40")	2	2
	464.159.250	Arm Rear Roller	Length=965mm (38")	2	2
8	468.041.110	Bracket		2	2
9	468.049.210	Rear Roller Scraper		0	1
	468.049.157	Rear roller scraper		1	0
10	468.081.600	Bearing plate		2	2
11	488.114.209	Weld Assy Rear Roller		0	1
	488.114.156	Weld Assy Rear roller		1	0
12	802.140.550	Bolt DIN 931-1 - M14 x 55		2	2
13	802.140.700	Bolt DIN 931-1 - M14 x 70		4	4
14	802.160.550	Bolt DIN 931-1 - M16 x 55		4	4
15	804.080.300	Bolt DIN 933 - M8 x 30		12	12
16	804.100.250	Bolt DIN 933 - M10 x 25		4	4
17	830.080.080	SL Nut DIN 985 - M8		12	12
18	830.100.100	SL Nut DIN 985 - M10		4	4
19	830.140.140	SL Nut DIN 985 - M14		6	6
20	830.160.160	SL Nut DIN 985 - M16		4	4
21	864.140.031	Large Washer DIN 9021 - 15		8	8
22	864.160.030	Washer DIN 125 - M16		4	4
23	444.042.000	Slide plate		4	4
24	521.160.510	Lock pin CAT 0 WTS		2	2
25	523.030.750	R-Clip Round 3, DIN 11024		2	2

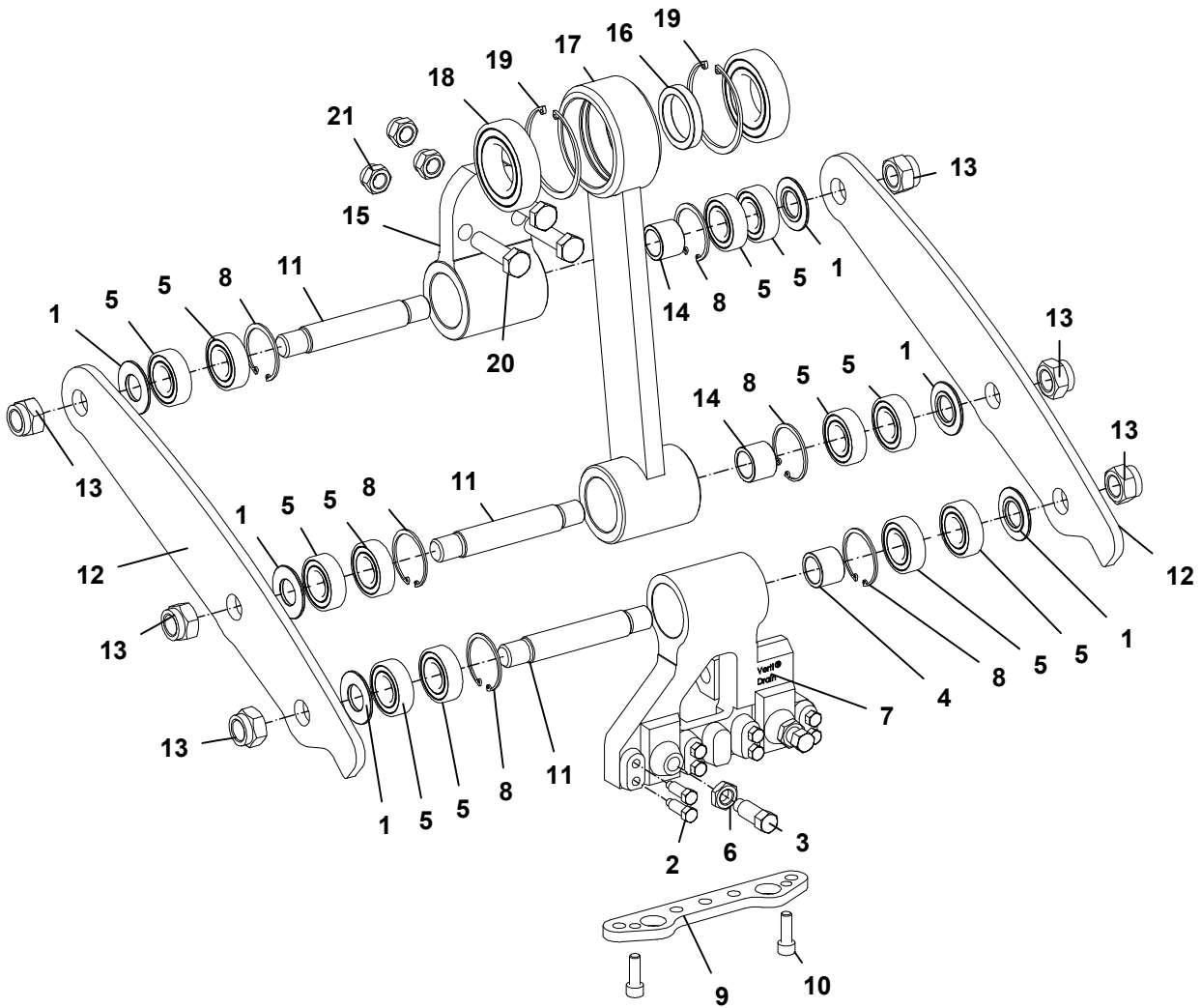


29 18 18 16 16 11

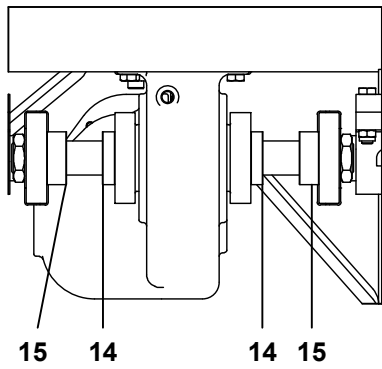
23



	PART #	DESCRIPTION	REMARKS	QUA 2216	QUA 2220
1	464.156.250	Front Roller Support		2	2
2	468.063.040	Mounting strip THD Beam		2	2
3	470.109.205	THD Beam		0	1
	470.109.153	THD Beam		1	0
4	488.194.207	Weld Assy Front Roller		0	1
	488.194.154	Weld assy Front Roller		1	0
5	742.302.400	Bearing complete		2	2
6	802.160.650	Bolt DIN 931-1 - M16 x 65		4	4
7	804.080.250	Bolt DIN 933 - M8 x 25		4	4
8	830.080.080	SL Nut DIN 985 - M8		4	4
9	830.160.160	SL Nut DIN 985 - M16		4	4
10	864.080.031	Large Washer DIN 9021 - 8,4		4	4
11	311.505.320	Skid Plate Height Adjustment		2	2
12	404.200.660	Collar bush		2	2
13	406.120.200	Distance bush		6	6
14	406.200.200	Distance bush		2	2
15	460.504.804	Jack VD2216/VD2220		2	2
16	464.203.400	Strip		8	8
18	468.013.400	Shim plate		8	8
19	468.053.050	Pointer		2	2
20	474.252.500	Spindle head long		2	2
21	802.120.550	Bolt DIN 931-1 - M12 x 55		2	2
22	802.201.400	Bolt DIN 931-1 - M20 x 140		2	2
23	804.200.400	Bolt DIN 933 - M20 x 40		2	2
24	830.120.120	SL Nut DIN 985 - M12		14	2
25	830.200.200	SL Nut DIN 985 - M20		2	2
26	864.120.030	Washer DIN 125 - M12		12	8
27	864.200.030	Washer DIN 125 - M20		2	2
28	878.060.250	Roll Pin ISO 8752 - 6 x 26 .		2	2
29	464.053.400	Strip		4	4
30	866.120.021	Spring washer DIN 127 - A 12		12	12
31	802.120.501	Bolt DIN 931-1 - M12 x 50		8	8
32	802.120.700	Bolt DIN 931-1 - M12 x 70		4	4

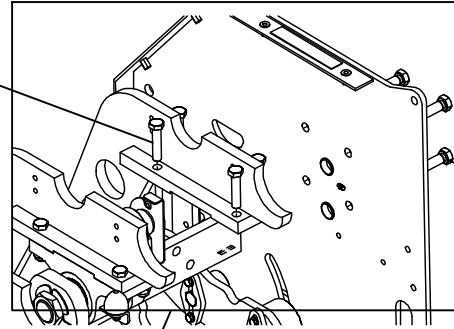


	PART #	DESCRIPTION	REMARKS	QUA 2216	QUA 2220
1	2661700	Distance washer	Qua for 1 element	6	6
2	4001675	Tine holder bolt	Qua for 1 element	8	8
3	4002315	Tine holder bolt M16	Qua for 1 element	2	2
4	406.250.250	Distance bush	Qua for 1 element	1	1
5	713.250.150	Bearing 6205-LLU	Qua for 1 element	12	12
6	826.160.080	Low Nut Din 439-2 M16	Qua for 1 element	2	2
7	492.218.090	Tine holder empty	Qua for 1 element	1	1
8	872.052.200	Cir Clip DIN 472 - 52x2	Qua for 1 element	6	6
9	468.102.230	Additional plate Tineholder 75	Qua for 1 element	1	1
10	814.100.300	Bolt DIN 912 - M10 x 30	Qua for 1 element	2	2
11	416.251.550	Support axis	Qua for 1 element	3	3
12	468.104.750	Element strip	Qua for 1 element	2	2
13	830.220.220	SL Nut DIN 985 - M22	Qua for 1 element	6	6
14	2602452	Inner bush	Qua for 1 element	2	2
15	448.760.164	Bearing support house	Qua for 1 element	1	1
16	402.450.100	Distance bush Ø45,2/Ø60 L=10	Qua for 1 element	1	1
17	466.110.442	Connecting rod	Qua for 1 element	1	1
18	713.450.190	Bearing 6209 LLU	Qua for 1 element	2	2
19	872.085.300	Cir Clip DIN 472 - 85x3	Qua for 1 element	2	2
20	802.160.600	Bolt DIN 931-1 - M16 x 60	Qua for 1 element	3	3
21	830.160.160	SL Nut DIN 985 - M16	Qua for 1 element	3	3

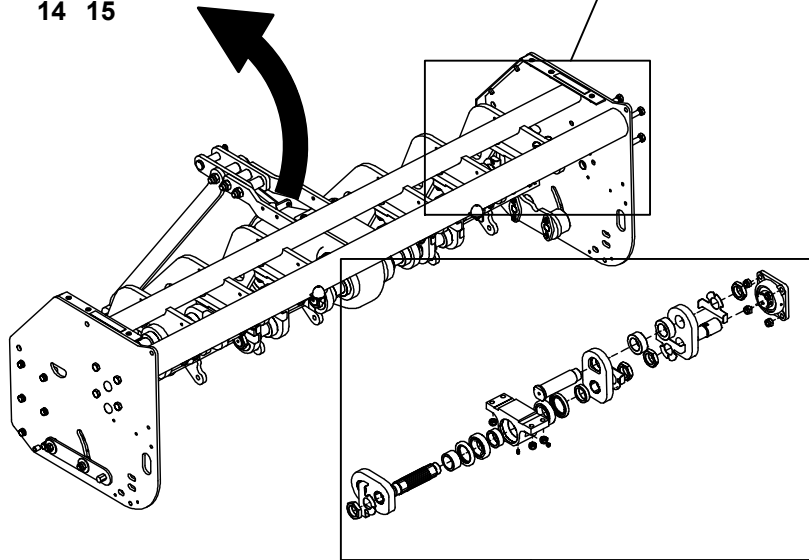


15 14 14 15

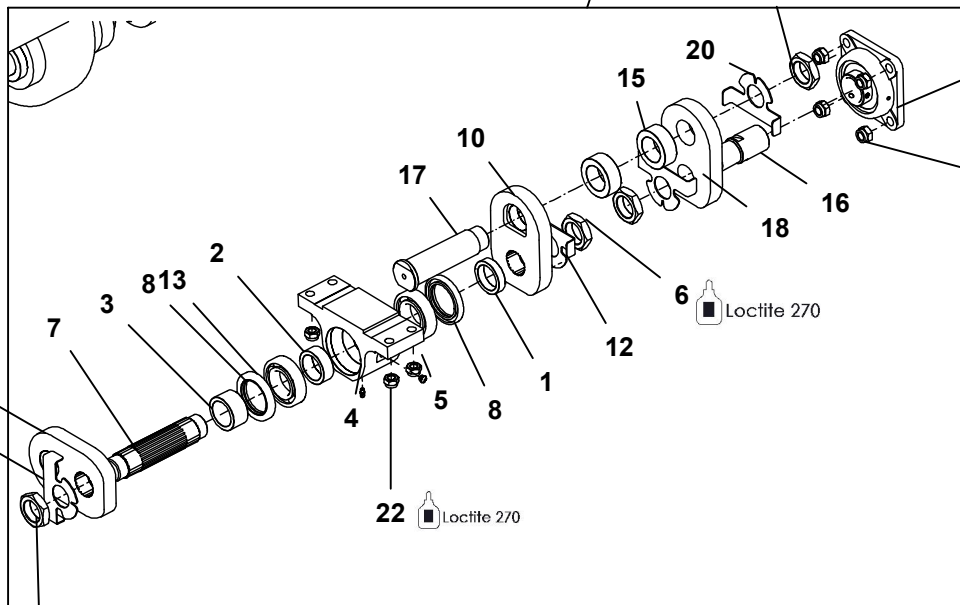
Loctite 270 20



21 Loctite 270



6 Loctite 270



19 Loctite 243 (Set screw)

23 Loctite 270

6 Loctite 270

22 Loctite 270

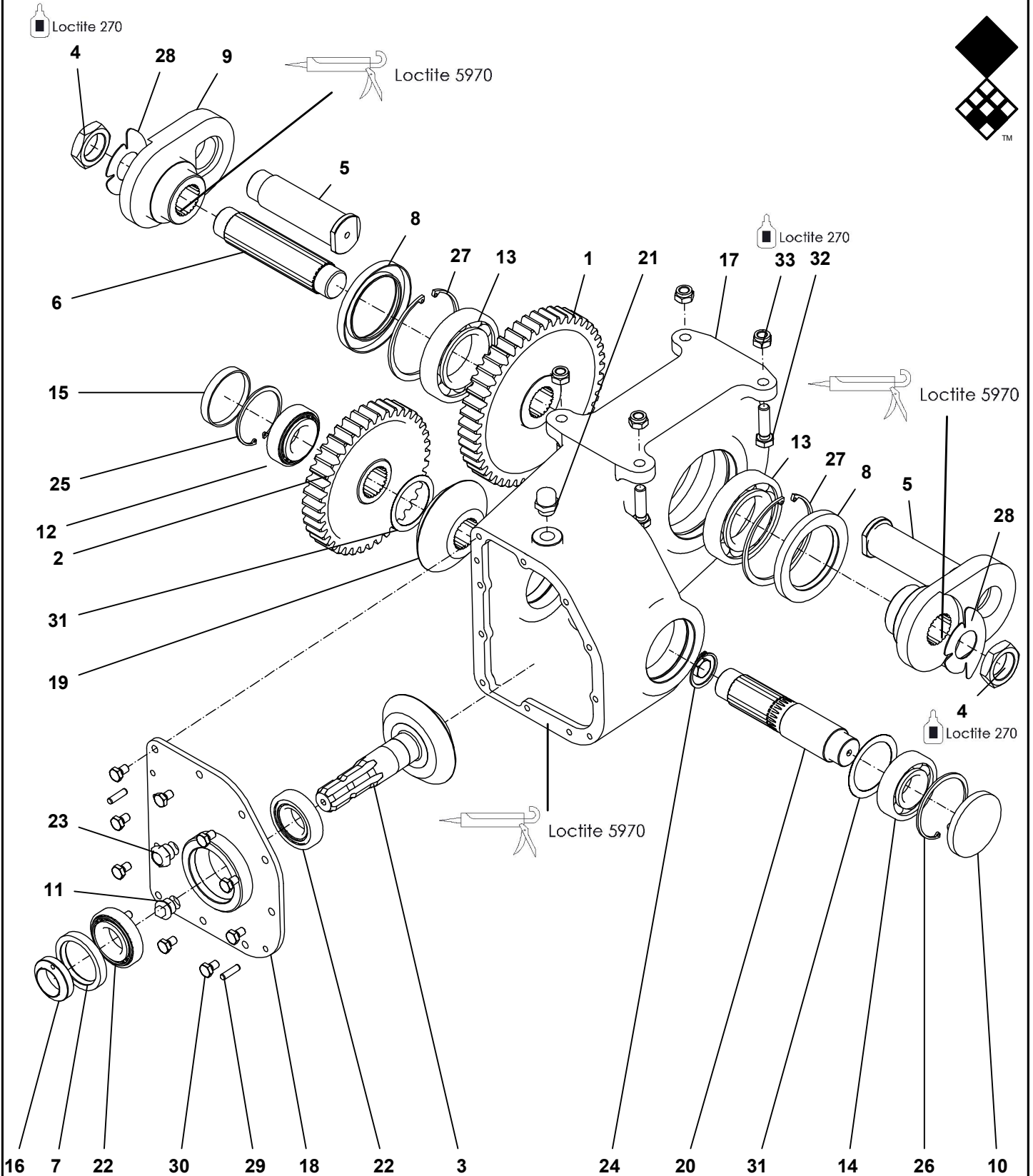
6 Loctite 270

VD2216 120° angle between crank

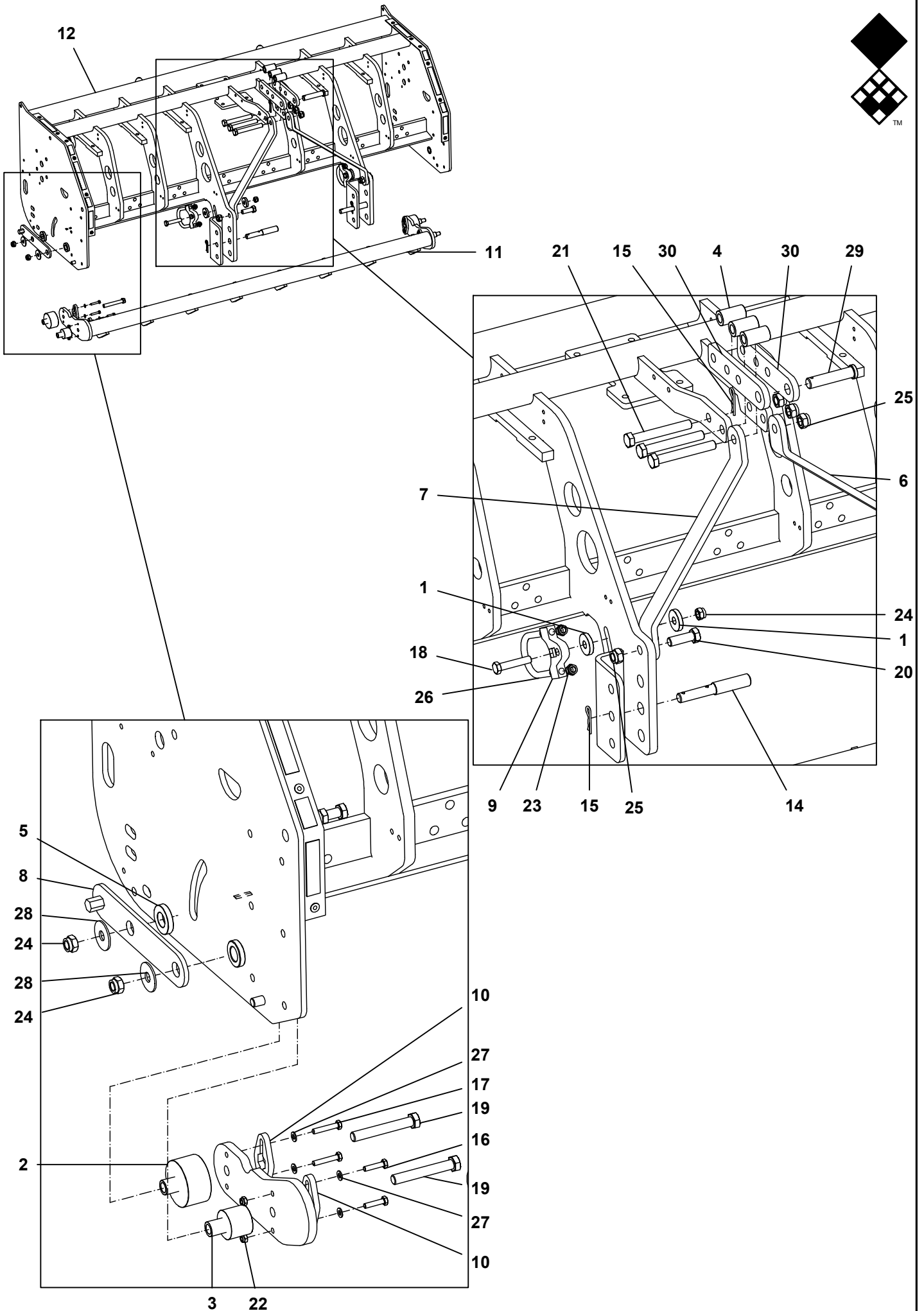
VD2216 90° angle between crank (shown), more details see chapter 14 users manual.

	PART #	DESCRIPTION	REMARKS	QUA 2216	QUA 2220
1	406.450.140	Distance Bush Ø60/Ø45,2 L=14		4	6
2	406.460.222	Distance Bush Ø60/Ø45,2 L= 22		4	6
3	406.460.320	Distance Bush Ø60/Ø45,2 L=32		4	6
4	880.060.100	Grease nipple M6 DIN 71412A		4	6
5	4067000	Breather for bearing support M10x1x11		4	6
6	4109600	Crank shaft nut M40 x 1.75		16	22
7	420.451.980	Splined Shaft		4	6
8	4408967	Oil Seal 60-85-10		8	12
9	464.271.890	Splined crank big end nut side		0	6
	464.271.891	Splined crank big end nut side VD2216		4	0
10	464.271.892	Splined crank big end head side		4	6
11	472.802.250	Crankshaft bearing block		4	6
12	5001718	Lock plate		16	22
13	711.450.190	Bearing 6209		8	12
14	406.400.160	Distance bush Ø70/Ø45,1 L=16		2	2
15	406.400.260	Distance bush Ø70/Ø45,1 L=26		10	14
16	416.451.090	End shaft		2	2
17	416.451.730	Big end pin		4	6
18	464.271.894	Crank handle		2	2
19	741.450.490	Flanged Bearing Unit UCF 209		2	2
20	802.140.650	Bolt DIN 931-1 - M14 x 65		16	24
21	804.160.450	Bolt DIN 933 - M16 x 45		8	8
22	830.140.140	SL Nut DIN 985 - M14		16	24
23	830.160.160	SL Nut DIN 985 - M16		8	8

 Loctite 270



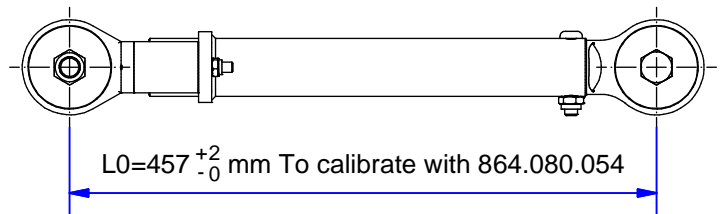
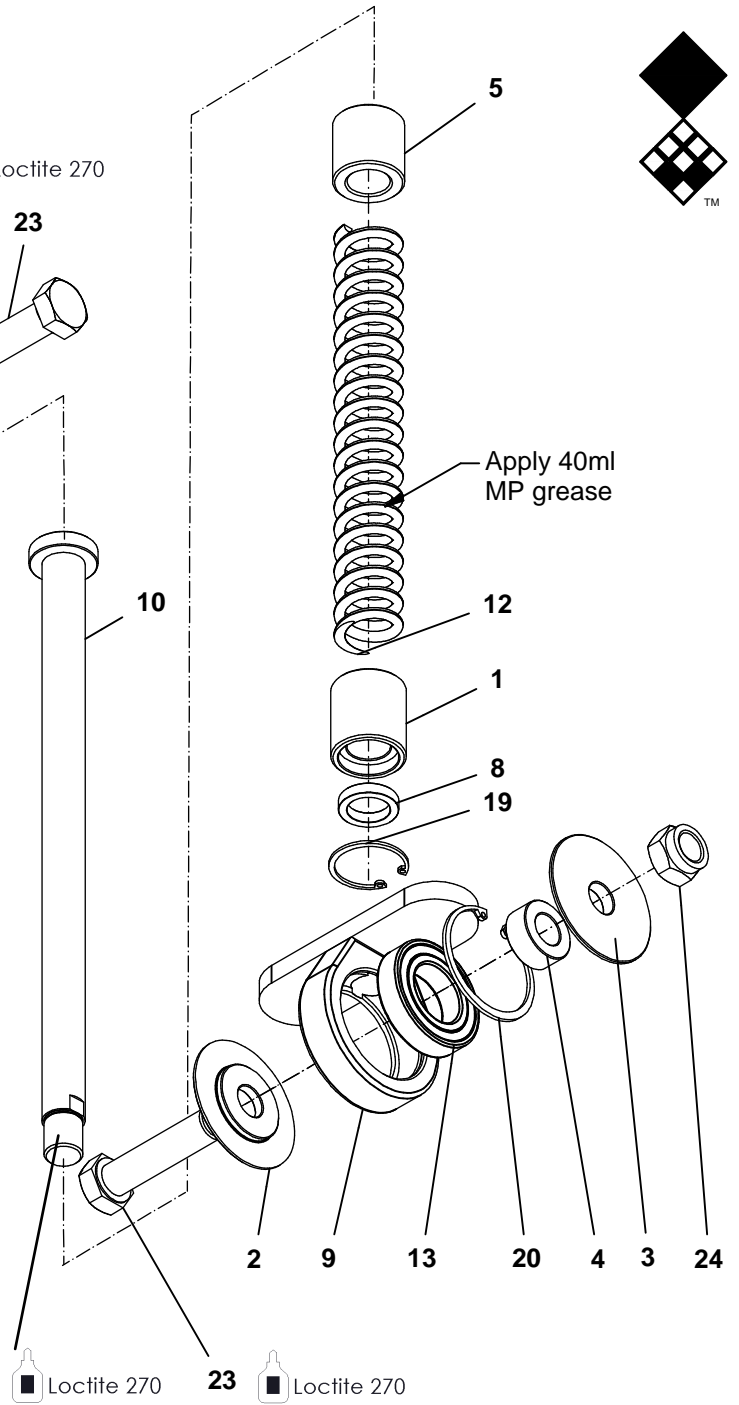
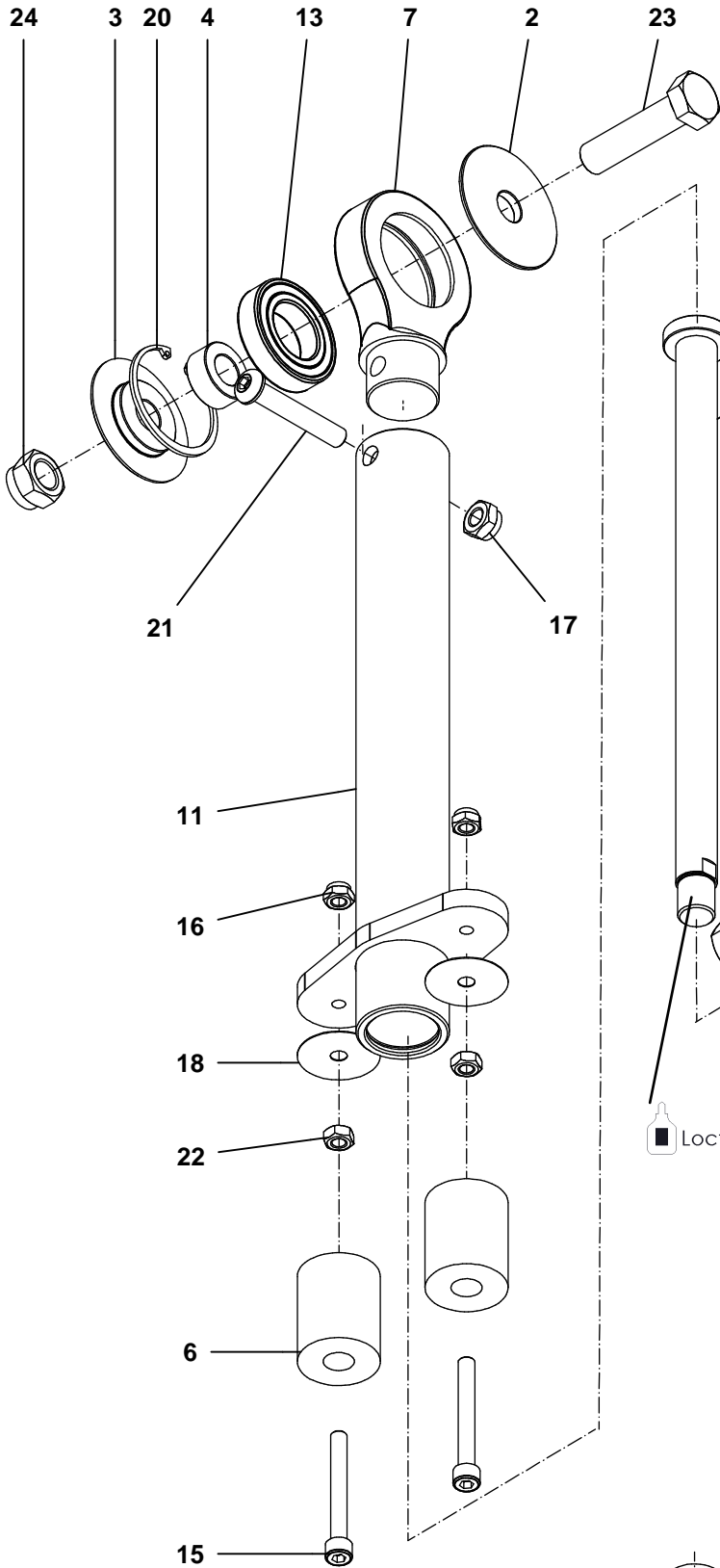
	PART #	DESCRIPTION	REMARKS	QUA
1	2505477	Side gear Z=47		1
2	2506825	Side gear Z=40		1
3	2544500	Pignon wheel with shaft		1
4	4109600	Crank shaft nut M40 x 1.75		2
5	416.451.630	Big end pin		2
6	420.452.040	Splined Shaft		1
7	4408930	Seal ring 60x80x10		1
8	4410150	Seal ring 88x126x12		2
9	448.189.072	Splined crank handle gearbox	Use silicon paste on spline to seal. Loctite 5970	2
10	4480008	End cap 90x12		1
11	4561000	Plug 1/2"		1
12	4810470	Tapered roller bearing 32208-A		1
13	4815590	Bearing 6214		2
14	4816980	Bearing 6308		1
15	4972580	End cap 80x12		1
16	5001181	Special Nut M40x1.5		1
17	5002097	Gearbox casting	Use silicon paste to seal. Loctite 5970	1
18	2471109	Cover gearbox		1
19	5002100	Pignon wheel		1
20	5002101	Crown wheel shaft		1
21	537.120.300	Breather G1/2"		1
22	725.400.200	Bearing 30208		2
23	820.210.180	Level cap 1/2"		1
24	870.045.175	Cir Clip DIN 471 - 45x1,75		1
25	872.080.250	Cir Clip DIN 472 - 80x2,5		1
26	872.090.300	Cir Clip DIN 472 - 90x3		1
27	872.125.400	Cir Clip DIN 472 - 125x4		2
28	5002865	Lock plate		2
29	876.083.000	Parallel pin ISO 2338-Ø8 m6 x 30		2
30	804.100.160	Bolt DIN 933 - M10 x 16		10
31	869.090.001	Set of shims 70x90 2x0.1 1x0.3 63x80 2x0.1 1x0.3		1
32	804.140.500	Bolt DIN 933 - M14 x 50		4
33	830.140.140	SL Nut DIN 985 - M14		4
	490.556.120	Gearbox VD2216/2220 complete		
		Oil 80W90 5.5L		



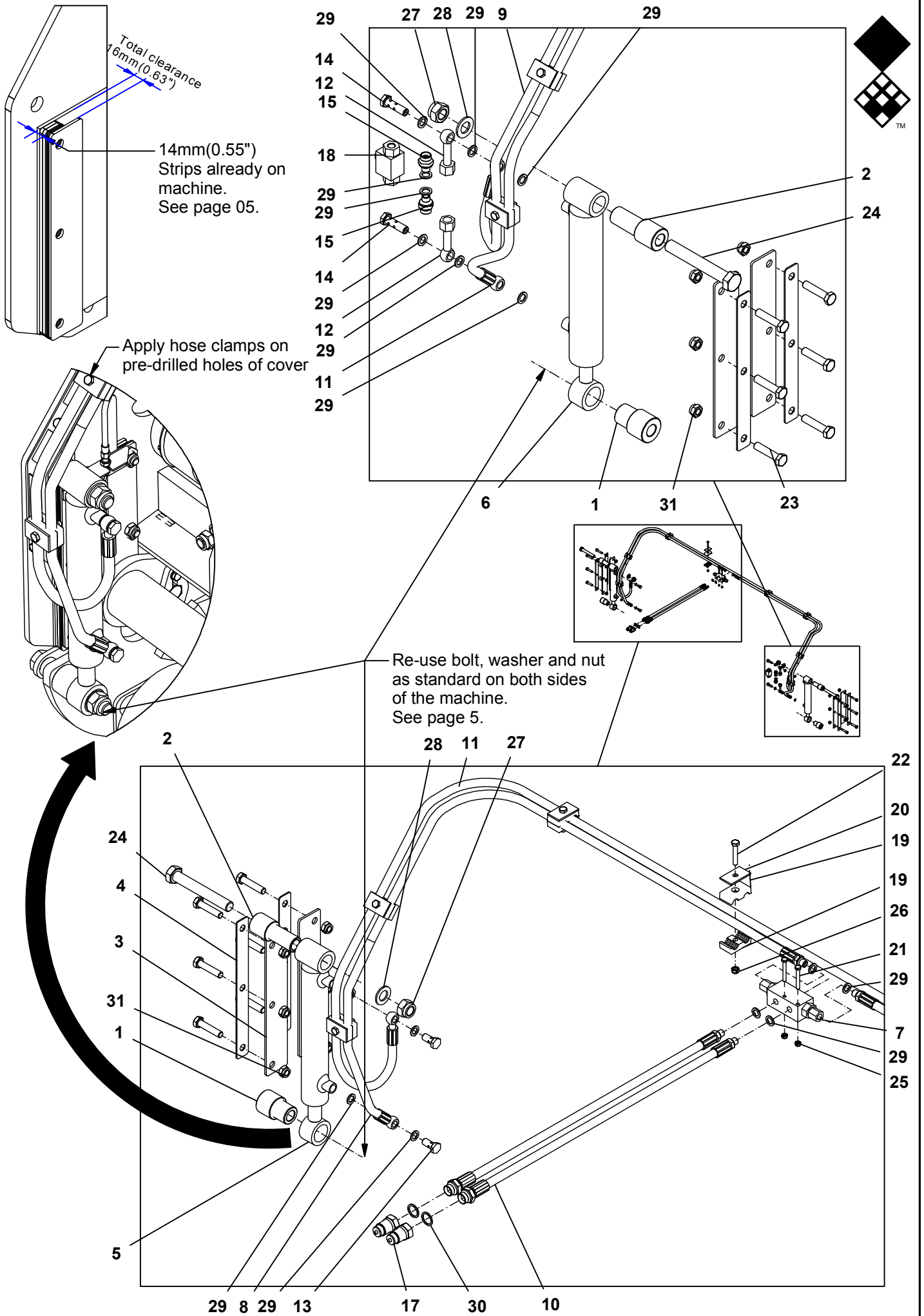
	PART #	DESCRIPTION	REMARKS	QUA 2216	QUA 2220
1	402.160.100	Distance bush Ø16.5/Ø50 L=10		4	4
2	404.170.692	Distance Bush Ø17, L= 69		2	2
3	404.170.700	Distance Bush Ø17, L= 70		2	2
4	406.210.600	Distance Bush Ø35/Ø20.5, L= 60		3	3
5	406.260.100	Distance Bush Ø50/Ø25.5, L= 10		2	2
6	464.153.940	Top Link Support Strip Large		1	1
7	464.153.942	Top Link Support Strip Small		1	1
8	466.080.335	Handle		2	2
9	466.279.000	Support Bolt Assy Central Bar		2	2
10	468.101.002	Lock plate		4	4
11	494.206.202	Central bar		0	1
	494.206.150	Central bar		1	0
12	494.212.820	Frame Verti-drain 2220		0	1
	494.160.820	Frame Verti-drain 2216		1	0
14	521.221.600	3-Point Pin		2	2
15	523.040.700	R-Pin Ø4, DIN 11024		3	3
16	802.080.350	Bolt DIN 931-1 - M8 x 35		4	4
17	802.080.450	Bolt DIN 931-1 - M8 x 45		4	4
18	802.160.800	Bolt DIN 931-1 - M16 x 80		2	2
19	802.161.100	Bolt DIN 931-1 - M16 x 110		4	4
20	802.200.600	Bolt DIN 931-1 - M20 x 60		2	2
21	802.201.500	Bolt DIN 931-1 - M20 x 150		3	3
22	830.080.080	SL Nut DIN 985 - M8		4	4
23	830.140.140	SL Nut DIN 985 - M14		4	4
24	830.160.160	SL Nut DIN 985 - M16		6	6
25	830.200.200	SL Nut DIN 985 - M20		5	5
26	848.791.360	U-Bolt M14x80		2	2
27	864.080.030	Washer DIN 125 - M8		8	8
28	864.160.031	Large Washer DIN 9021 - 17		4	4
29	521.251.380	Top link pin CAT 2		1	1
30	464.152.700	Top link strip		2	2



Loctite 270

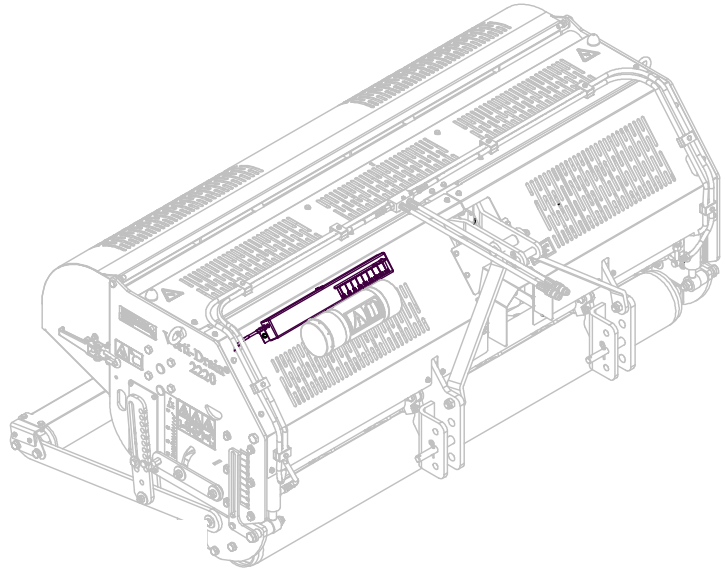
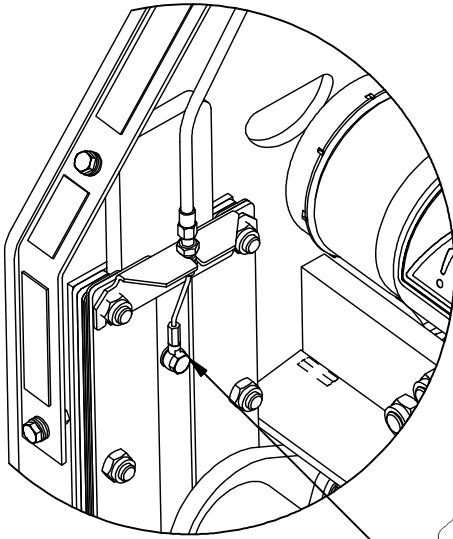


	PART #	DESCRIPTION	REMARKS	QUA
1	2602454	Plastic Guide Bush		1
2	404.160.050	Distance bush Ø65/Ø38/Ø16 L=5.25		2
3	404.160.070	Distance bush Ø65/Ø38/Ø16 L=7.25		2
4	406.160.130	Distance bush Ø30/Ø16 L=13		2
5	444.350.350	Slider bush		1
6	446.400.500	Rubber stop		2
7	448.421.150	Draw Rod Head With Stud		1
8	4480015	Seal For Draw Rod		1
9	466.121.554	Draw rod head		1
10	474.203.446	Draw Rod		1
11	478.503.410	Tube draw rod		1
12	576.202.580	Spring draw rod VD 2216-2220		1
13	713.300.130	Bearing 6006 LLU		2
15	814.080.650	Bolt DIN 912 - M8 x 65		2
16	830.080.080	SL Nut DIN 985 - M8		2
17	830.100.100	SL Nut DIN 985 - M10		1
18	864.080.054	Shim Ø40/Ø8.5 L=0.5	Exact quantity is determined by L0 distance	2
19	872.035.150	Cir Clip DIN 472 - 35x1,5		1
20	872.055.200	Cir Clip DIN 472 - 55x2		2
21	815.100.600	Round Head Hex Bolt ISO 7380 - M10 x 60		1
22	826.080.080	Nut DIN 934 - M8		2
23	806.160.650	Bolt DIN 931-1 - M16 x 65 MF1.5		2
24	831.160.160	SL Nut DIN 985 - M16x1.5		2
	490.424.578	Drawrod complete	Contains parts 1-22	



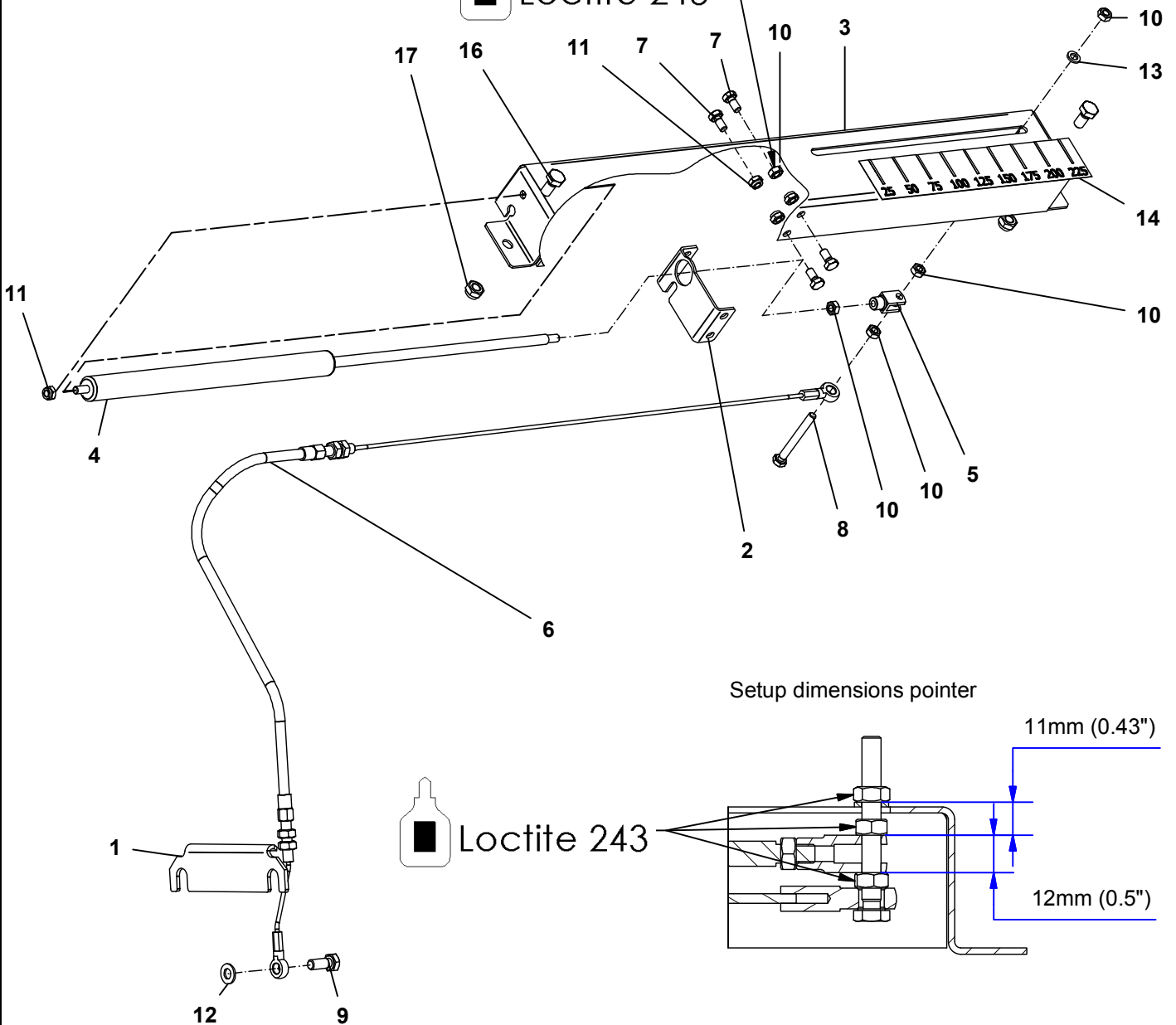
	PART #	DESCRIPTION	REMARKS	QUA 2216	QUA 2220
1	404.170.690	Distance Bush Support		2	2
2	404.201.020	Bush		2	2
3	464.043.100	Guide strip		4	4
4	468.013.400	Shim plate		4	4
5	534.252.002	Hydraulic cylinder 40 x 25, Stroke 200mm		1	1
6	534.252.004	Hydraulic cylinder 50 x 30, Stroke 200mm		1	1
7	535.401.000	Pressure controlled one way valve		1	1
8	541.131.700	Hose		0	1
	541.131.800	Hose on right cylinder		1	0
9	541.131.800	Hose		0	1
	541.131.280	Hose on left cylinder		1	0
10	541.131.950	Hose NSK6 1/4" TL=1950 PN64 PN68		2	2
11	541.133.450	Hose between cylinders		0	1
	541.133.680	Hose between cylinders		1	0
12	542.100.700	Bottom tube	Shorten to correct size	2	2
13	543.130.250	Hollow bolt G 1/4 x 25		2	2
14	543.130.430	Hollow bolt G 1/4 x 43		2	2
15	544.130.120	Straight Nipple 1/4" - Ø12mm		2	2
17	545.210.800	Quick Connector Male 1/2"		2	2
18	546.250.750	Ball Valve		1	1
19	547.150.150	Hose Clamp 2x Ø15		16	16
20	547.300.510	Deck Plate		8	8
21	802.060.450	Bolt DIN 931-1 - M6 x 45		2	2
22	802.080.450	Bolt DIN 931-1 - M8 x 45		8	8
23	802.120.550	Bolt DIN 931-1 - M12 x 55		12	12
24	802.201.400	Bolt DIN 931-1 - M20 x 140		2	2
25	830.060.060	SL Nut DIN 985 - M6		2	2
26	830.080.080	SL Nut DIN 985 - M8		8	8
27	830.200.200	SL Nut DIN 985 - M20		2	2
28	864.200.030	Washer DIN 125 - M20		2	2
29	874.130.020	Copper washer 1/4"		16	16
30	874.210.020	Copper washer 1/2"		2	2
31	830.120.120	SL Nut DIN 985 - M12		12	12
	211.116.006	Hydraulic height adjustment VD2216	Complete kit, items on page 11 + 11a		
	211.122.006	Hydraulic height adjustment VD2220	Complete kit, items on page 11 + 11a		

Placement of bracket 468.031.402
(Cover, Cylinder and hoses hidden)

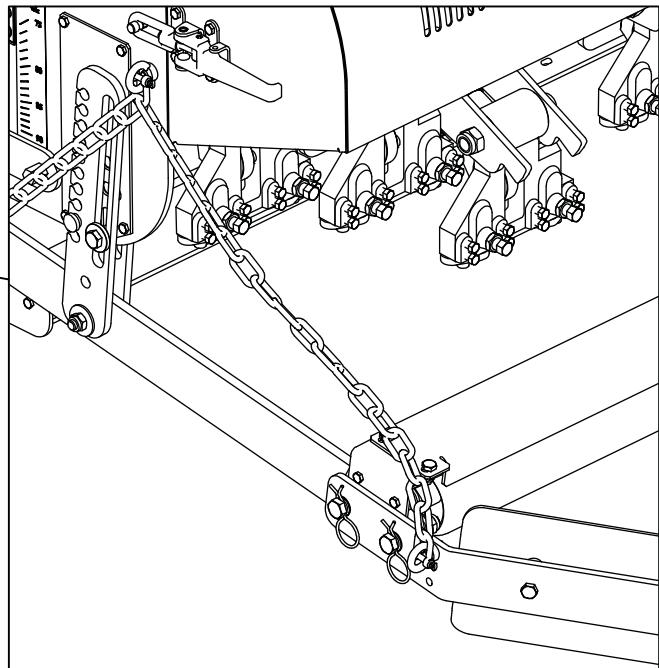
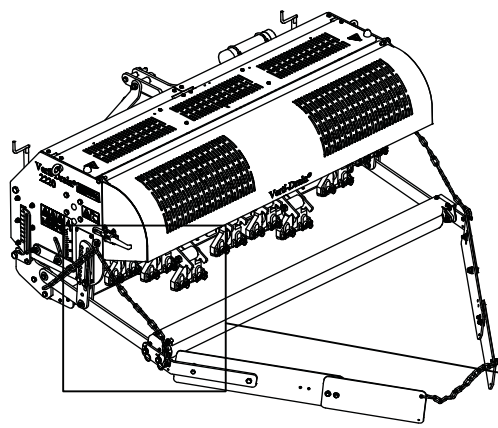


 Loctite 243

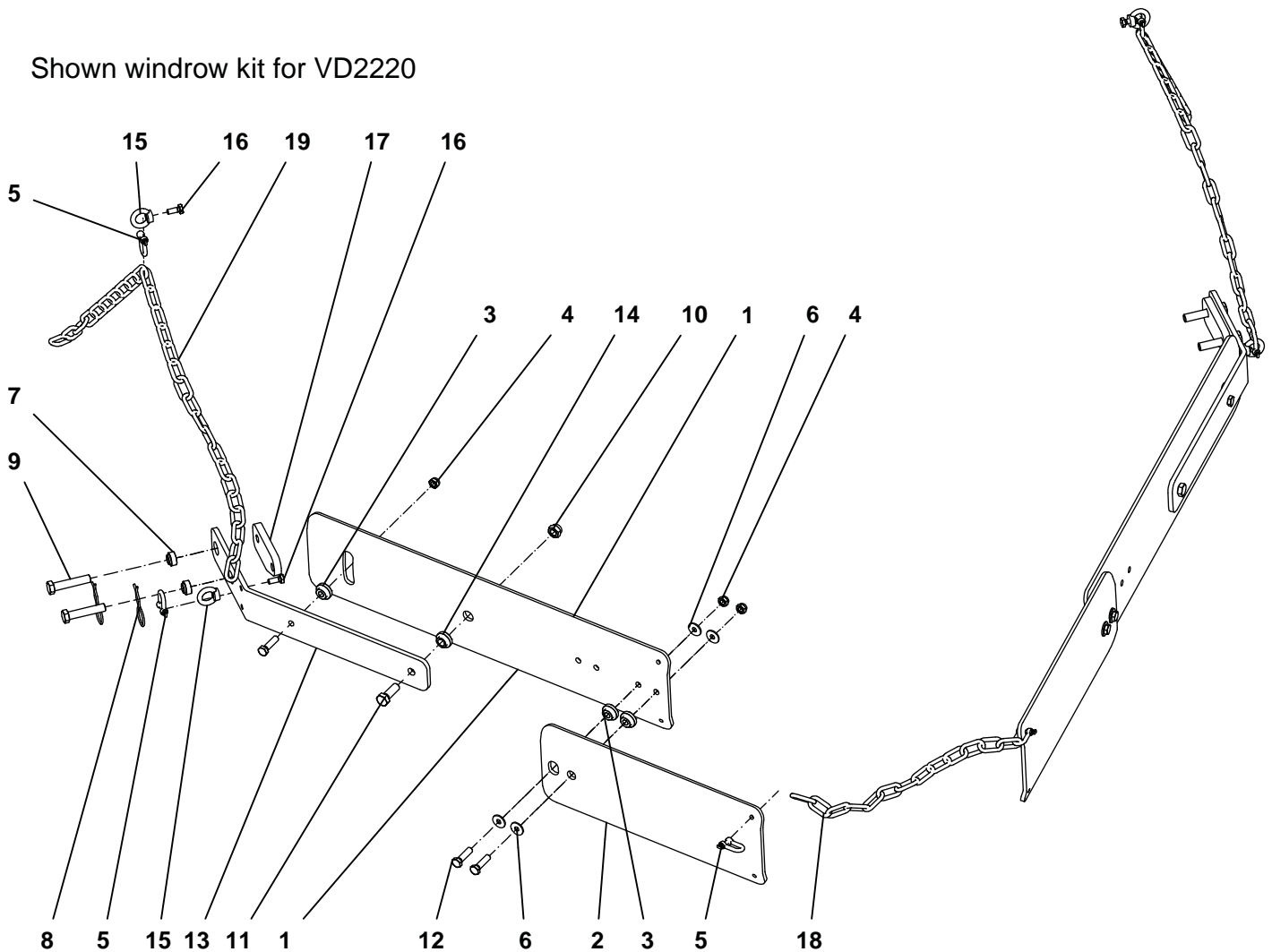
 Loctite 243



	PART #	DESCRIPTION	REMARKS	QUA 2216	QUA 2220
1	468.031.402	Bracket		1	1
2	468.020.990	Support strip damper		1	1
3	468.026.740	Height indicator box		1	1
4	571.204.850	Damper, stroke 220mm		1	1
5	850.060.360	Fork		1	1
6	591.089.100	Cable height indicator		1	1
7	804.060.120	Bolt DIN 933 - M6 x 12		4	4
8	804.060.550	Bolt DIN 933 - M6 x 55		1	1
9	804.080.200	Bolt DIN 933 - M8 x 20		1	1
10	826.060.060	Nut DIN 934 - M6		5	5
11	830.060.060	SL Nut DIN 985 - M6		4	4
12	864.080.030	Washer DIN 125 - M8		1	1
13	874.011.150	Washer		1	1
14	911.340.000	Decall height indicator 225		1	1
16	804.080.160	Bolt DIN 933 - M8 x 16		2	2
17	830.080.080	SL Nut DIN 985 - M8		2	2
	211.116.006	Hydraulic height adjustment VD2216	Complete kit,items on page 11 + 11a		
	211.122.006	Hydraulic height adjustment VD2220	Complete kit,items on page 11 + 11a		






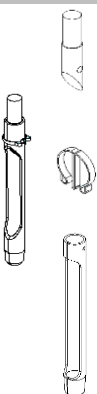


Shown window kit for VD2220



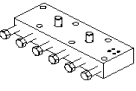
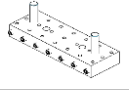
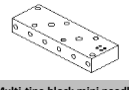
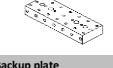





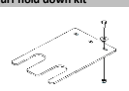


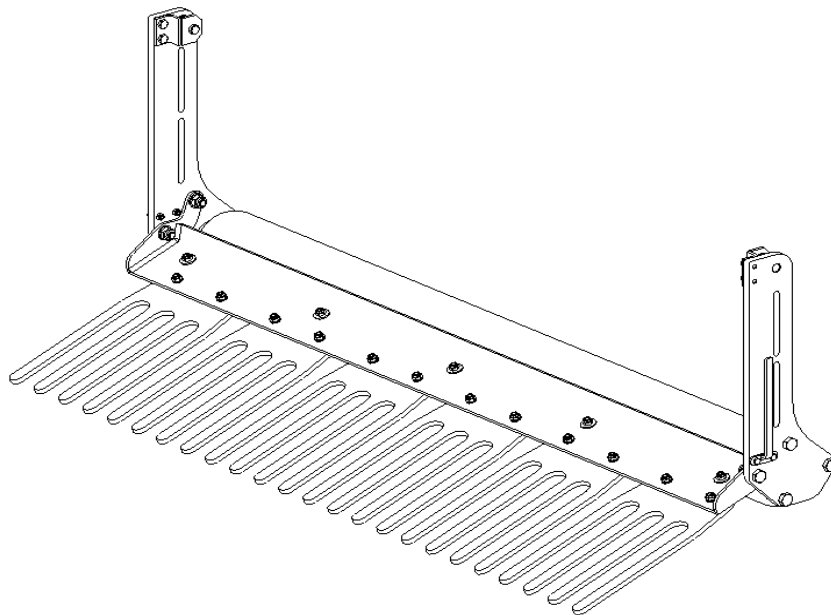
	PART #	DESCRIPTION	REMARKS	QUA 2216	QUA 2220
1	468.089.000	Windrow Plate		2	2
2	468.085.500	Windrow Plate extension		0	2
3	406.130.150	Distance bush		4	6
4	830.120.120	SL Nut DIN 985 - M12		2	6
5	846.080.241	Dee (chain) shackle d8		6	6
6	864.100.031	Large Washer DIN 9021 - 10,5		0	8
7	406.170.150	Distance bush		4	4
8	523.030.752	Special R-Clip d3		4	4
9	802.160.800	Bolt DIN 931-1 - M16 x 80		4	4
10	830.160.160	SL Nut DIN 985 - M16		2	2
11	804.160.450	Bolt DIN 933 - M16 x 45		2	2
12	804.120.450	Bolt DIN 933 - M12 x 45		2	6
13	464.106.350	Windrow support		2	2
14	406.160.150	Distance bush		2	2
15	822.100.360	Eye Nut DIN 582 - M10		4	4
16	804.100.250	Bolt DIN 933 - M10 x 25		4	4
17	464.151.450	Spacer plate		2	2
18	846.060.490	Chain 14 shackles L=490 (shackle Ø6mmx35x9)		1	1
19	846.069.800	Chain 28 shackles L=980 (shackle Ø6mmx35x9)		2	2
	211.116.008	Windrow kit VD2216			
	211.122.008	Windrow kit VD2220			

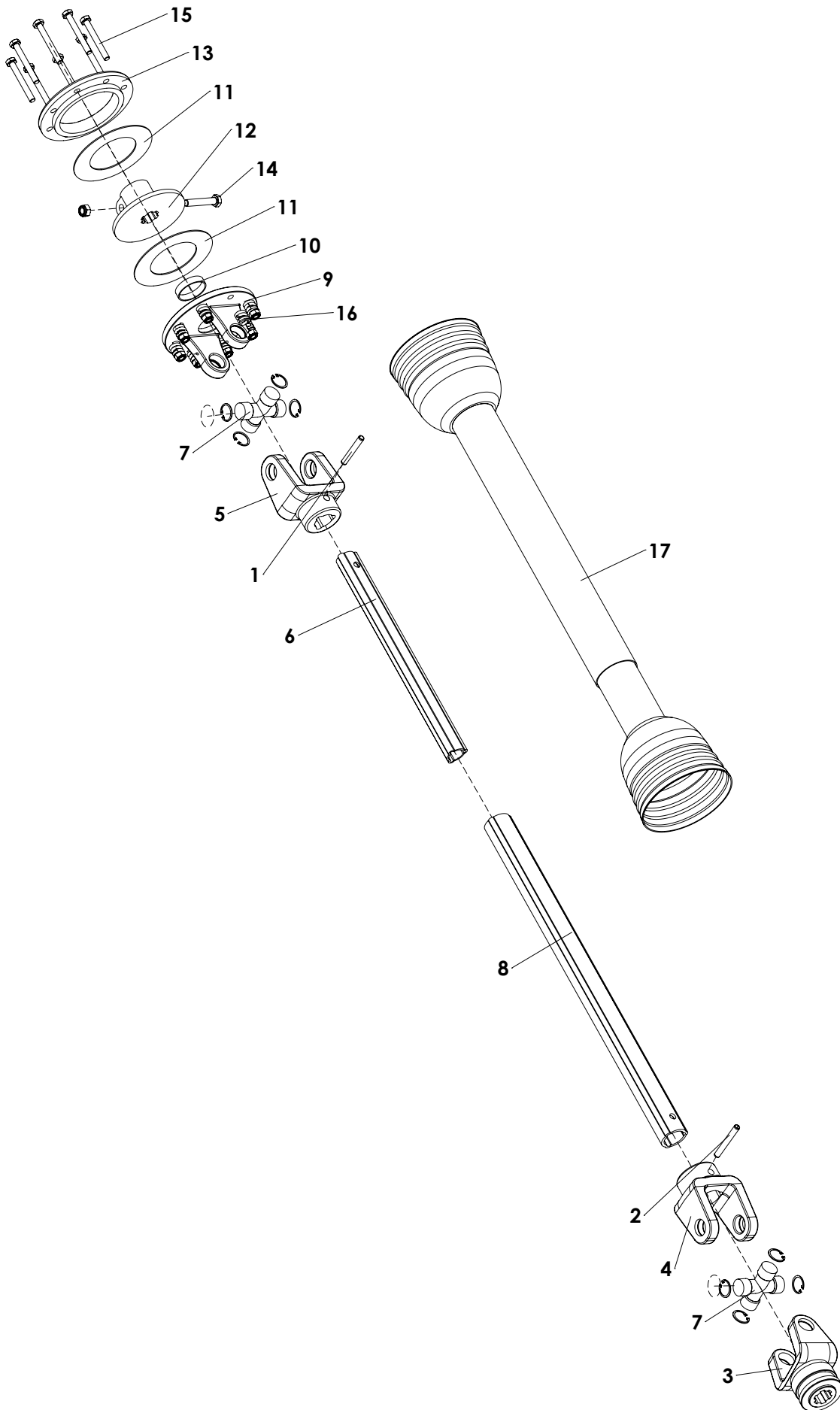
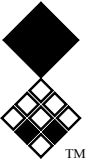
Redexim Verti-drain 2216 and 2200

						2216	2220	
Solid tines						2216	2220	
	Mounting Ø (mm)	Tine Size (mm)	Tine Size (inch)	Part #	Adapter	Qua	Qua	
	5	5 x 125	3/16 x 5	311.105.125	J or multi-tine block mini			
	8	8 x 150	5/16 x 6	311.108.150	K or multi-tine block	24+K or 48+N+U+W	32+K or 64+N+U+W	
	8	8 x 175	5/16 x 7	9990056	K or multi-tine block	24+K or 48+N+U+W	32+K or 64+N+U+W	
	8	8 x 250	5/16 x 10	9990059	K - Don't use in MTH. Will bend	24+K	32+K	
	12	12 x 150	1/2 x 6	311.112.150		24	32	
	12	12 x 200	1/2 x 8	311.112.200		24	32	
	12	12 x 225	1/2 x 9	311.112.225				
	12	12 x 250	1/2 x 10	2381837				
	12	12 x 300	1/2 x 12	2381838				
	18	18 x 200	3/4 x 8	311.118.200	L or non needed	12+L	16+L	
	18	18 x 225	3/4 x 9	311.118.225	L or non needed	12+L	16+L	
	18	18 x 250	3/4 x 10	2381841	L or non needed			
	18	18 x 300	3/4 x 12	2382638	L or non needed			
	18	18 x 350	3/4 x 14	311.118.350	L or non needed			
	18	18 x 400	3/4 x 16	2382639	L or non needed			
	24	24 x 225	1 x 9	311.124.225		12	16	
	24	24 x 350	1 x 14	311.124.350				
	24	24 x 400	1 x 16	2382640				
	Tines for verti-core							
19	10x100	3/8 x 4	39200-447	Tines for verti-core that also fit Verti-drain				
8	8x95	5/16 x 3 13/16	311.108.095	Tines for verti-core that also fit Verti-drain				
Hollow tines						2216	2220	
	Mounting Ø (mm)	Tine Size (mm)	Tine Size (inch)	Part #	Adapter	Qua	Qua	
	8	10 x 6 x 80	3/8 x 1/4 x 3	311.210.080	K or multi-tine block	24+K or 48+N+U+W	32+K or 64+N+U+W	
	8	10 x 6 x 125	3/8 x 1/4 x 5	311.210.127	K or multi-tine block	24+K or 48+N+U+W	32+K or 64+N+U+W	
	12	16 x 10 x 150	5/8 x 3/8 x 6	311.216.150		24	32	
	12	16 x 10 x 175	5/8 x 3/8 x 7	9990022		24	32	
	12	19 x 12 x 150	3/4 x 1/2 x 6	311.219.150		24	32	
	18	19 x 12 x 200	3/4 x 1/2 x 8	311.219.200	L or non needed	12+L	16+L	
	12	19 x 12 x 200	3/4 x 1/2 x 8	311.219.201		24	32	
	18	19 x 12 x 225	3/4 x 1/2 x 9	311.219.225	L or non needed	12+L	16+L	
	12	19 x 12 x 225	3/4 x 1/2 x 9	311.219.226		24	32	
	12	19 x 12 x 250	3/4 x 1/2 x 10	9990040				
	18	19 x 12 x 250	3/4 x 1/2 x 10	9990023	L or non needed			
	18	25 x 16 x 200	1 x 5/8 x 8	311.225.200	L or non needed	12+L	16+L	
	18	25 x 16 x 225	1 x 5/8 x 9	311.225.225	L or non needed	12+L	16+L	
	18	25 x 17 x 250	1 x 5/8 x 10	9990024	L or non needed			
	18	29 x 19 x 250	1 1/8 x 3/4 x 10	9990066	L or non needed			
	24	32 x 21 x 300	1 1/4 x 13/16 x 12	9990034				
	18	32 x 21 x 300	1 1/4 x 13/16 x 12	9990041	L or non needed			
	Tines for verti-core that also fit Verti-drain 15x							
	19	21x12x125	13/16 x 1/2 x 5	9990075	Ejecting from	Qua	Qua	
19	19x10x125	3/4 x 3/8 x 5	311.219.159	Side				
19	19x10x110	3/4 x 3/8 x 4 3/8	311.219.158	Top				
19	16x7x110	5/8 x 1/4 x 4 3/8	311.219.138	Top				
Replacement tubes						2216	2220	
	Mounting Ø (mm)	Tine Size (mm)	Tine Size (inch)	Part #	Combine with rollpin	Qua	Qua	
	12	16 x 10 x 150	5/8 x 3/8 x 6	311.716.150	9990010	24	32	
	12	16 x 10 x 175	5/8 x 3/8 x 7	9990036	9990010	24	32	
	12	19 x 12 x 150	3/4 x 1/2 x 6	311.719.150	9990012	24	32	
	18	19 x 12 x 200	3/4 x 1/2 x 8	311.719.200	9990012	12	16	
	12	19 x 12 x 200	3/4 x 1/2 x 8	311.719.200	9990012	24	32	
	18	19 x 12 x 225	3/4 x 1/2 x 9	311.719.225	9990012	12	16	
	12	19 x 12 x 225	3/4 x 1/2 x 9	311.719.225	9990012	24	32	
	12	19 x 12 x 250	3/4 x 1/2 x 10	9990037	9990012			
	18	19 x 12 x 250	3/4 x 1/2 x 10	9990037	9990012			
	18	25 x 16 x 200	1 x 5/8 x 8	311.725.200	9990014	12	16	
	18	25 x 16 x 225	1 x 5/8 x 9	311.725.225	9990014	12	16	
	18	25 x 17 x 250	1 x 5/8 x 10	9990038	9990014			
	18	29 x 19 x 250	1 1/8 x 3/4 x 10	9990067	9990016			
	24	32 x 21 x 300	1 1/4 x 13/16 x 12	9990039	9990016			
18	32 x 21 x 300	1 1/4 x 13/16 x 12	9990039	9990016				
Cross tines						2216	2220	
	Mounting Ø (mm)	Tine Size (mm)	Tine Size (inch)	Part #	Adapter	Qua	Qua	
	8	12 x 90	1/2 x 3 1/2	9990020	K or multi-tine block			
	12	12 x 90	1/2 x 3 1/2	311.812.090				
12	19 x 120	3/4 x 5	9990021					
Chisel tines						2216	2220	
	Mounting Ø (mm)	Tine Size (mm)	Tine Size (inch)	Part #		Qua	Qua	
	12	4.8 x 19 x 175	3/16 x 3/4 x 7	311.619.175				
	12	4.8 x 19 x 120	3/16 x 3/4 x 4 3/4	311.619.120				
Tines for verti-core								
19	5 x 30 x 90	3/16 x 1 3/16 x 3 1/2	311.619.127	Tines for verti-core				
Composed hollow tines						2216	2220	
	Shank		Size (mm)	Size (inch)	Part #		Qua	Qua
	A	12	12	1/2	311.120.690	(Straight)	24	32
	B	18	18	3/4	311.180.782	(Straight)	12	16
	C	12	12	1/2	311.180.780		24	32
	D	24	24	1	311.240.862	(Straight)	12	16
	E	18	18	3/4	311.240.860			
	Clip						2216	2220
	F	16	16	5/8	438.160.160		24	32
	G	22	22	7/8	438.220.220		24	32
	H	30	30	1 3/16	438.300.300		12	16
	Hollow tine tube (folded)						2216	2220
		Tine Size (mm)	Tine Size (inch)	Part #		Qua	Qua	
		16 x 150	5/8 x 6	317.316.150	Combine with: A and F	24A+24F	32A+32F	
		16 x 200	5/8 x 8	317.316.200	Combine with: A and F	24A+24F	32A+32F	
		22 x 150	7/8 x 6	317.322.150	Combine with: B or C and G	24B+24G	32B+32G	
		22 x 250	7/8 x 10	317.322.250	Combine with: B or C and G	24C+24G	32C+32G	
		22 x 150	7/8 x 6	317.322.150	Combine with: B or C and G	12B+12G	16B+16G	
		22 x 250	7/8 x 10	317.322.250	Combine with: B or C and G	12C+12G	16C+16G	
		30 x 150	1 3/16 x 6	317.330.150	Combine with: E and H	12D+12H	16D+16H	
		30 x 225	1 3/16 x 9	317.330.220	Combine with: E and H	12D+12H	16D+16H	
	30 x 300	1 3/16 x 12	317.330.300	Combine with: E and H	12E+12H	16E+16H		

Redexim Verbi-drain 2216 and 2220

					2216	2220	
Adapter					Qua	Qua	
	J	Tine Size (mm) 5	Tine Size (inch) 3/16	Part # 314.205.043			
	K	8	5/16	314.208.043	24	32	
Adapter					2216	2220	
	L	Tine Size (mm) 18	Tine Size (inch) 3/4	Part # 2451800	Qua	Qua	
					12	16	
Multi-tine block complete WO tines					2216	2220	
		Tine Size (mm)	Tine Size (inch)	Part #			
		8mm (5 tines)	5/16	211.700.016	Combination of: T-O-U-Y-Z	Tines: A1-A3-A4-A5	
		8mm (6 tines)	5/16	9990206	Combination of: M-U	A1-A2-A3-A4-A5	
		8mm (8 tines)	5/16	9990208	Combination of: N-U	A1-A2-A3-A4-A5	
		8mm (8 tines)	5/16	9990211	Combination of: N-U-W	A1-A2-A3-A4-A5	
		8mm (8 tines)	5/16	314.430.209	Combination of: P-U	A1-A2-A3-A4-A5	
		Tines:					
	A1	8 x 150	5/16 x 6	311.108.150	Solid tine		
	A2	8 x 175	5/16 x 7	9990056	Solid tine		
	A3	10 x 6 x 80	3/8 x 1/4 x 3	311.210.080	Hollow tine		
	A4	10 x 6 x 125	3/8 x 1/4 x 5	311.210.127	Hollow tine		
	A5	12 x 90	1/2 x 3 1/2	9990020	Cross tine		
					6 (48 tines)	8 (64 tines)	
Multi-tine block mini needles complete WO tines					2216	2220	
		Tine Size (mm)	Tine Size (inch)	Part #			
		5	3/16	211.700.017	Combination off: R-V	B1	
		5	3/16	314.425.170	Combination off: Q-V-X	B1	
		5	3/16	9990214	Combination off: S-V-X	B1	
		Tines:					
	B1	5 x 125	3/16 x 5	311.105.125	Needle tine		
Multi-tine block empty					2216	2220	
		Tine Size (mm)	Tine Size (inch)	Part #	Qua	Qua	
	M	8mm (6 tines)	5/16	9990201			
	N	8mm (8 tines)	5/16	314.430.240	6	8	
	O	8mm (5 tines)	5/16	480.301.430			
	P	8mm (8 tines)	5/16	211.215.002			
Multi-tine block mini needles empty					2216	2220	
		Tine Size (mm)	Tine Size (inch)	Part #	Qua	Qua	
	Q	5 (21 tines)	3/16	480.251.740			
	R	5 (12 tines)	3/16	314.425.140			
	S	5 (24 tines)	3/16	314.425.240			
Backup plate					2216	2220	
		Size (mm)		Part #	Qua	Qua	
	T	143x50x3		464.031.432			
Tine lock bolt					2216	2220	
		Size (mm)		Part #	Qua	Qua	
	U	10x40		812.100.401	48	64	
		10x35		4001675			
Set screw					2216	2220	
		Size (mm)		Part #	Qua	Qua	
	V	8x8		818.080.080			
Stud					2216	2220	
		Size (mm)		Part #	Qua	Qua	
	W	23.2x50		408.230.500	12	16	
	X	12x60		9990212D			
Bolt					2216	2220	
		Size (mm)		Part #	Qua	Qua	
	Y	M10 x 80		802.100.800			
Nut					2216	2220	
		Size (mm)		Part #	Qua	Qua	
	Z	Sl nut M10		830.100.100			
Turf hold down fingers					2216	2220	
		Part name		Part #	Qua	Part #	Qua
		Turf hold down finger					
		Turf hold down finger MTH					
		Turf hold down finger 12mm end		311.506.310	2	311.506.310	2
		Turf hold down finger 12mm		311.506.314	4	311.506.314	6
		Turf hold down finger 18mm					
		Turf hold down finger 24mm end		311.506.312	2	311.506.312	2
		Turf hold down finger 24mm		311.506.316	4	311.506.316	6
Turf hold down kit					2216	2220	
		Part name		Part #	Qua	Part #	Qua
		THD kit complete					
		THD kit complete MTH					
		THD kit complete 12mm		211.116.004	1	211.122.004	1
		THD kit complete 18mm					
		THD kit complete 24mm		211.116.002	1	211.122.002	1





ITEM	PART NUMBER	DESCRIPTION	REMARKS	QUA
1	190000016	Inner roll pin		1
2	190000018	Outer roll pin		1
3	141026108	Complete collar yoke type 60		1
4	151016028	Outer tube yoke type 60		1
5	151016029	Inner tube yoke type 60		1
6	153160150	T60-series Inner tube		1
7	180016130	Cross and 4x circlip kit		2
8	152160475	T60-series Outer tube		1
9	151016039	Flanged yoke T60		1
10	180015020	Bush		1
11	180015019	Lining ring		2
12	151015018	Hub T60		1
13	180015021	Pressure plate		1
14	165000502	Bolt and Nut	Retighten every 40 hours	1
15	165000501	Bolt and nut		8
16	180014022	Spring		8
17	1422602987630	Complete guard 60-series	Cut to correct length	1
	600610	Complete PTO		
		ALWAYS deburr parts when cut		
		MEASURE correct length of PTO first		
		MAINTAIN slipclutch every month		
		NEVER USE PTO over 30 degrees angle		
		SLIPCLUTCH always on machine side		